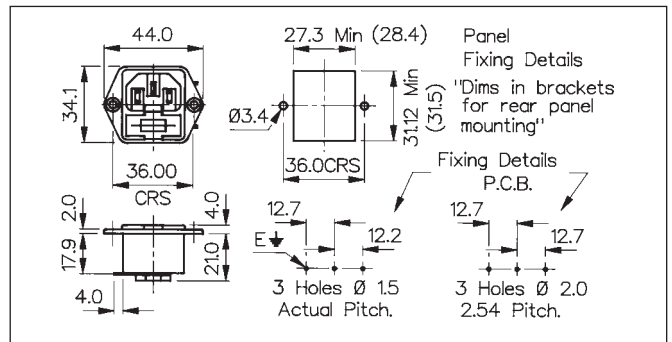
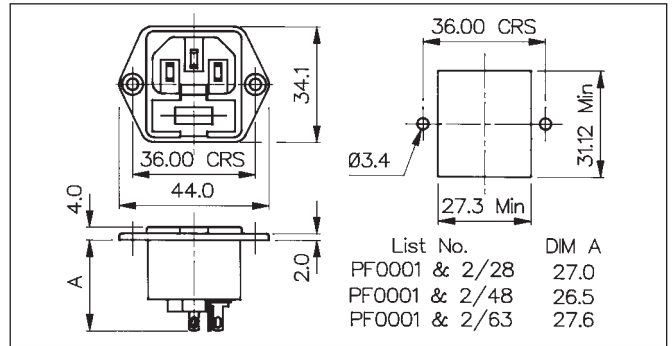


## EN60 320 (BS4491 Standard Sheet C14 Class I) Cold Condition

CONNECTORS



Data	List No.	PF0001/Termination	PF0001/PC	PF0002/Termination
Fixing:		Flange.	P.C.B./Flange.	Flange.
Terminations:		/28 (2.8mm solder), /48 (4.8mm tab), /63 (6.3mm tab).	P.C. Spills.	/28 (2.8mm solder), /48 (4.8mm tab), /63 (6.3mm tab).
Max. Rating:		10A. 250V a.c.	10A. 250V a.c.	10A. 250V a.c.
Contact Resistance:		<10m $\Omega$ . (<15 m $\Omega$ including Fuseholder).	<10m $\Omega$ . (<15 m $\Omega$ including Fuseholder).	<10m $\Omega$ . (<15 m $\Omega$ including Fuseholder).
Insulation Resistance:		>10 <sup>3</sup> M $\Omega$ .	>10 <sup>3</sup> M $\Omega$ .	>10 <sup>3</sup> M $\Omega$ .
A.C. Breakdown:		Pole-Pole 5.5kV. Poles-Panel 4kV.	Pole-Pole 5.5kV. Poles-Panel 4kV.	Pole-Pole 5.5kV. Poles-Panel 4kV.
Operating Temp. Range:		-40°C to + 70°C.	-40°C to + 70°C.	-40°C to + 70°C.
Max. Pin Temp.:		+70°C.	+70°C.	+70°C.
Mouldings:		Nylon, Flammability Rating UL-94V-O.	Nylon, Flammability Rating UL-94V-O.	Nylon, Flammability Rating UL-94V-O.
Contacts:		Brass: Pins, Nickel Plated. Tabs, Tin Plated.	Brass: Pins, Nickel Plated. Spills, Tin Plated.	Brass: Pins, Nickel Plated. Tabs: Tin Plated.
Approvals:				
Accessories / Notes:		P.No. 11987, KT0009 (See Page 40).	KT0009 (front of panel mounting only). (See Page 40).	P.No. 11987, KT0009 (See Page 40). (Note: Fuse contact isolated)
Mating Connectors:		PX0587, PX0587/SE, PX0588, PZ0100, PZ0200.	PX0587, PX0587/SE, PX0588, PZ0100, PZ0200.	PX0587, PX0587/SE, PX0588, PZ0100, PZ0200.