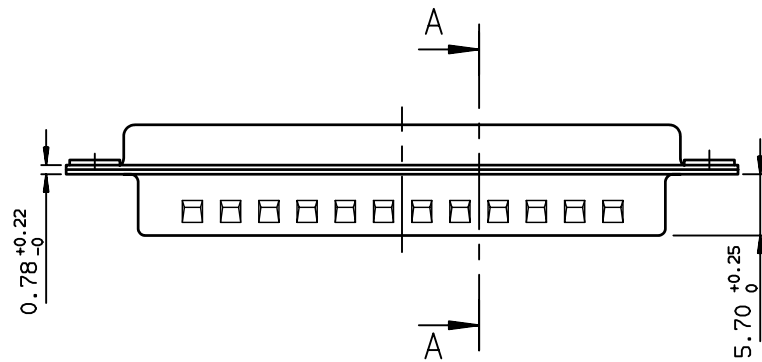
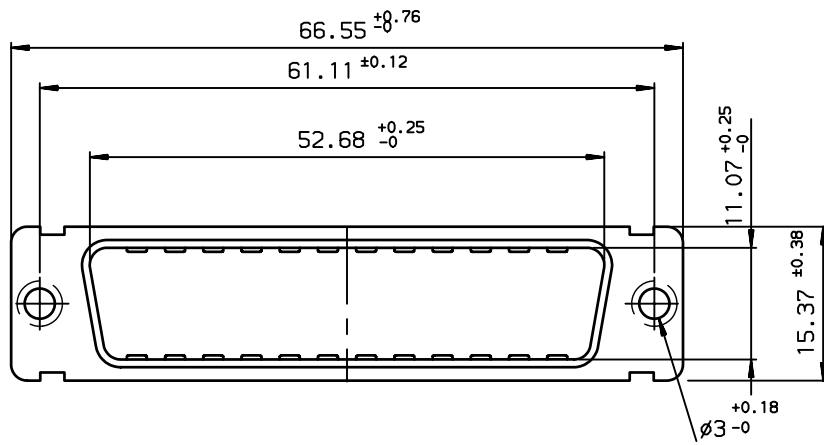
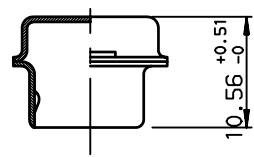


**CHARACTERISTICS:**  
 Material of shell: steel  
 Plating of shell: tin  
 Packaging: 100 pieces



section A-A



Part number: **86553117TLF**

www.fciconnect.com		surface ISO 1302 ✓	tolerance std ISO 406 ISO 1101	projection A3	mm
TOLERANCES UNLESS OTHERWISE SPECIFIED					
Dr	JARRY	2002/05/03	ANGULAR	0.X ±0.1	size A3
Eng	PESSON	2002/05/03	LINEAR	0.XX ±0.1	Scale 2
Chr	LEGARE	2002/05/03	0.XX' ±2'	0.XXX ±0.1	ECN LS09-0006
Appr	LEGARE	2002/05/03	Product family D-SUB		Spec ref -
FCj		title METAL CAPS		dwg no C01-8655-1560	
		SHELL 50 D SUB ACCESSORIES		Rev. D	
		catalog no -		CUSTOMER sheet 1 of 1	

**NOTE: RoHS INFORMATIONS**

- The "LF" products meet European union Directives and other country regulations as described in GS-22-008.
- Plating Sn (pure bright) over copper
- Packaging spec: see GS-14-920

rev	ecn no	dr	date
A	-	JAR	2002/05/03
B	LS05-0026	MPE	2005/07/08
C	LS06-0101	MPE	2006/06/19
D	LS09-0006	PCR	2009/01/08
-	-	-	-
-	-	-	-
-	-	-	-

Copyright FCJ. FCj