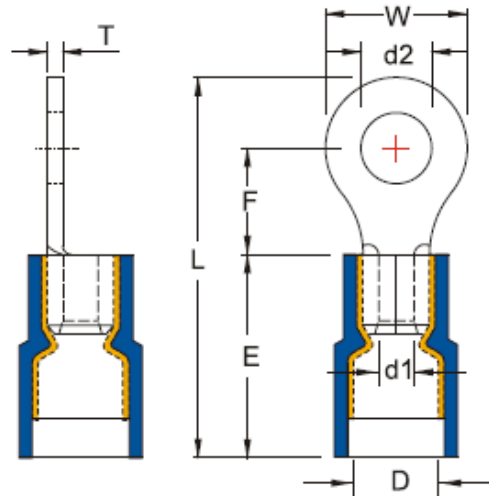
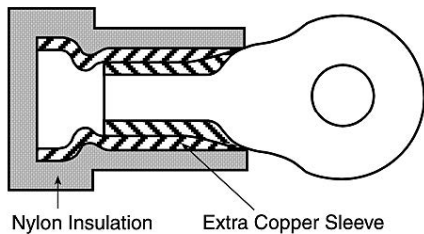




# Datasheet

ENGLISH

**RS PRO Red Insulated Crimp Ring Terminal, 0.5mm<sup>2</sup> to 1.5mm<sup>2</sup>, 22 AWG to 16 AWG, 5.3mm Stud Size**  
 RS Stock number [267-3616](#)



## Technical Specification

- Maximum Electrical Current:** 22 AWG: 9A, 16 AWG: 18A
- Maximum Electrical Rating:** 105°C 600V maximum
- Insulation Material:** Nylon
- Insulation Colour:** Red
- Terminal Material:** Copper
- Double Crimp:** With copper sleeve on barrel

## Dimensions

Wire Size (mm <sup>2</sup> /AWG)	Stud Size		Dimensions (inch/mm)						
	d2		W	F	L	E	D	d1	T
	Size	(inch/mm)							
0.5-1.5 mm <sup>2</sup> /22-16 AWG	#10	.209/5.3	.315/8.0	.276/7.0	.858/21.8	.433/11.0	.177/4.5	.067/1.7	.030/0.75