



ENGLISH

# Datasheet

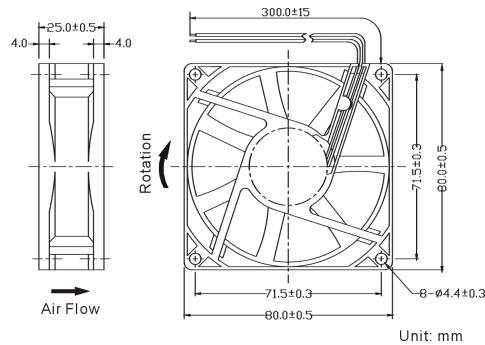
## DC Axial Fan, 80 x 80 x 25mm, 32m<sup>3</sup>/h, 0.49W, 24 V dc (OD8025 Series)

RS Stock No.787-4016



**OPERATING TEMPERATURE**  
 Ball Bearing -20C ~ +70C  
 Sleeve Bearing -10C ~ +50C

**FRAME & IMPELLER**  
 PBT, UL94V-0 Thermoplastic  
**POWER CONNECTION**  
 Two lead wires 300mm (12")  
**AVAILABLE OPTIONS**  
 Tachometer  
 Locked rotor Alarm



FINGER GUARD: G80-18  
 PLASTIC GUARD: G80P  
 WIRE MESH GUARD: WM80M  
 FILTER KIT: GRM80-30, GRM80-45

MODEL NUMBER	SPEED (RPM)	AIRFLOW (CFM)	NOISE (DB)	VOLTS DC	VOLTAGE RANGE	AMPS	MAX. STATIC PRESSURE (iH <sub>2</sub> O)
OD8025-05H*	2800	35	32	05	4~7	0.28	0.22
OD8025-05M*	2200	30	27	05	4~7	0.20	0.16
OD8025-05L*	1800	22	21	05	4~7	0.15	0.10
OD8025-12H*	3300	40	33	12	7~17	0.18	0.23
OD8025-12M*	2800	32	28	12	7~17	0.15	0.16
OD8025-12L*	2000	22	21	12	7~17	0.12	0.10
OD8025-24H*	3300	40	33	24	12~28	0.12	0.23
OD8025-24M*	2800	32	28	24	12~28	0.10	0.16
OD8025-24L*	2000	22	21	24	12~28	0.08	0.10
OD8025-48HB	4200	42	33	48	32~56	0.05	0.25

\* Indicate "B" to specify Ball bearing or "S" to specify Sleeve bearing

**MOTOR**  
 Brushless DC, Impedance and polarity protected, auto restart

**INSULATION RESISTANCE**  
 Min. 10M at 500VDC

**DIELECTRIC STRENGTH**  
 1 minute at 500VAC / 1 second, max leakage 500 microamp

**LIFE EXPECTANCY (L10)**  
 Ball Bearing 60,000 hrs  
 Sleeve Bearing 30,000 hrs

