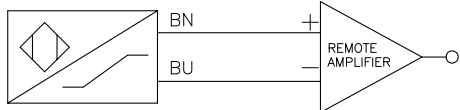
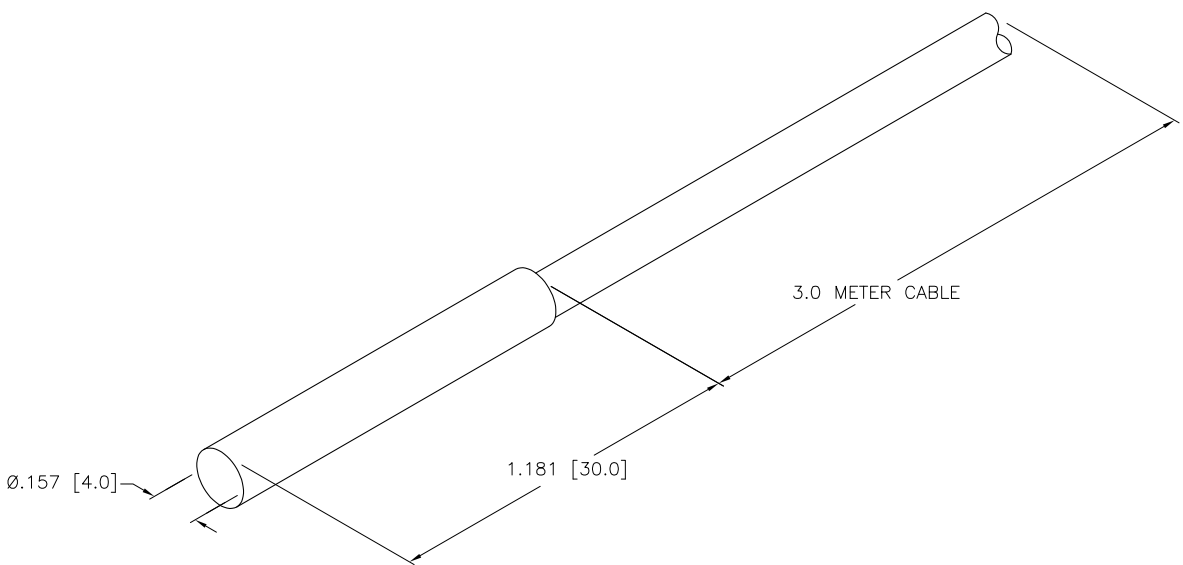


WIRING DIAGRAM



OUTPUT: Y1



SPECIFICATIONS

RATED OPERATING DISTANCE	1mm [.039"]
MOUNTING MODE	FLUSH
MIN. REPEAT ACCURACY	≤ 2%
TEMPERATURE DRIFT	≤ ± 10%
HYSTERESIS	1-10%
OPERATING TEMPERATURE	-25°C to +70°C (-13°F to +158°F)
OUTPUT FUNCTION	2-WIRE, NAMUR
SWITCHING FREQUENCY	≤ 5.0 kHz
OPERATING VOLTAGE	8.2 VDC NOMINAL
NON-ACTUATED CURRENT CONSUMPTION	≥ 2.1 mA
ACTUATED CURRENT CONSUMPTION	≤ 1.2 mA
APPROVAL ACCORDING TO:	KEMA 02 ATEX 1090X
INTERNAL INDUCTANCE (L <sub>i</sub> )/CAPACITANCE (C <sub>i</sub> )	150 nF/150 μH * VALUES FOR PRE-ASSEMBLED CABLES UP TO 30M
MARKING ON THE DEVICE	II 2 G EEx ia IIC T6 (max. U <sub>i</sub> = 20 V, I <sub>i</sub> = 60 mA, P <sub>i</sub> = 80 mW)
HOUSING MATERIAL	METAL, AISI 316L
ACTIVE FACE MATERIAL	PLASTIC, PA12-GF20
CABLE/COLOR/MATERIAL	ø3.0/BLUE/LifYY PVC
SHOCK RESISTANCE	30 g, 11 ms
VIBRATION RESISTANCE	55 Hz, 1 mm AMPLITUDE (IN ALL 3 PLANES)
DEGREE OF PROTECTION	IP67

SOURCE DRAWING - FOR REFERENCE ONLY

RELATED DOCUMENTS		3RD ANGLE PROJECTION		THIS DRAWING IS PROPERTY OF TURCK INC. USE OF THIS DOCUMENT WITHOUT WRITTEN PERMISSION IS PROHIBITED.		 High Technology Sensors and Automation Controls		3000 CAMPUS DRIVE MINNEAPOLIS, MN 55441 1-800-544-7769 (763) 553-7300 (763) 553-0708 fax turck.com	
1. 2. 3. 4.				DRFT	RDS	DATE	06/20/08	DESCRIPTION	
MATERIAL		SEE SPECIFICATIONS		DSGN		SCALE	1=5	BI 1-EH04-Y1 3M	
FINISH		ALL DIMENSIONS DISPLAYED ON THIS DRAWING ARE FOR REFERENCE ONLY		UNIT OF MEASUREMENT		IDENTIFICATION NO.		REV	
		CONTACT TURCK FOR MORE INFORMATION		INCH [ MILLIMETER ]		S1003094		A	
A		DRAWING RELEASE		DO NOT SCALE THIS DRAWING		FILE: S1003094		SHEET 1 OF 1	
REV	DESCRIPTION	BY	DATE	ECO NO.					

A	DRAWING RELEASE	RDS	06/20/08	
REV	DESCRIPTION	BY	DATE	ECO NO.