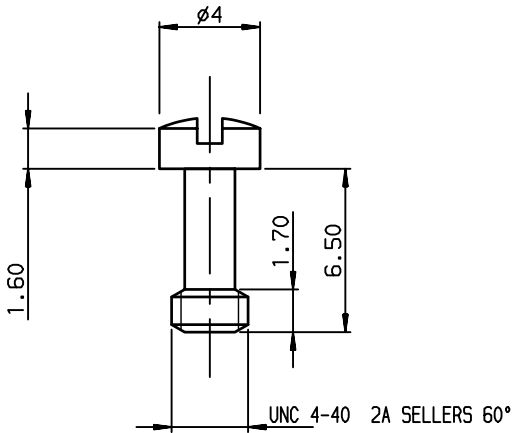
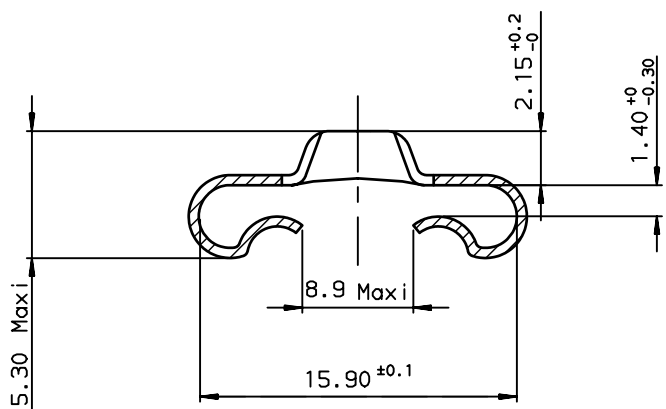
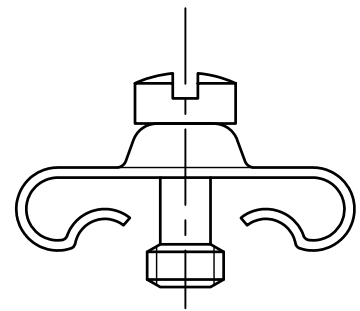


NOTES

Pieces assembly
 Packaging : per 100 pieces
 Material : steel
 Plating : tin lead
 Thread : UNC 4.40



VIEW ASSEMBLY



Part number **863015ATLF**

European Views

www.fciconnect.com		surface ISO 1302 ✓	tolerance std ISO 406 ISO 1101	projection ⊕	mm
TOLERANCES UNLESS OTHERWISE SPECIFIED					
Dr	BART	2004/02/26	ANGULAR	0.X ±0.1	size A3
Eng	PESSON	2004/02/26	LINEAR	0.XX ±0.1	Scale 5
Chr	LEGARE	2004/02/26	0.XX' ±2'	0.XXX ±0.1	ECN LS09-0006
Appr	LEGARE	2004/02/26	Product family D-SUB		Spec ref -
FCj		MALE SCREW LOCKS		DWG no C01-8655-1588	
		SHELL 50 D SUB ACCESSORIES		Rev. D	
		catalog no -		CUSTOMER sheet 1 of 1	

NOTE:RoHS INFORMATIONS

- The "LF" products meet European union Directives and other country regulations as described in 65-22-008.
- Plating Sn (pure bright) over copper
- Packaging spec: see 65-14-920

rev	ecn no	dr	date
A	-	BAR	2004/02/26
B	LS05-0026	MPE	2005/07/08
C	LS06-0097	LGO	2006/07/28
D	LS09-0006	PCR	2009/01/08
-	-	-	-
-	-	-	-
-	-	-	-

Copyright FCj.