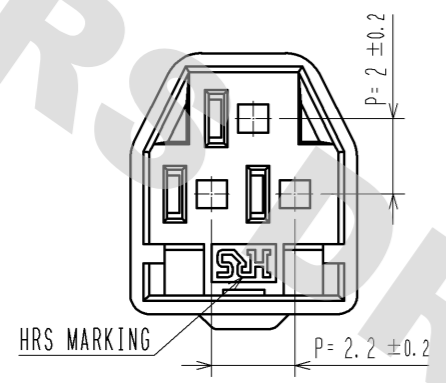
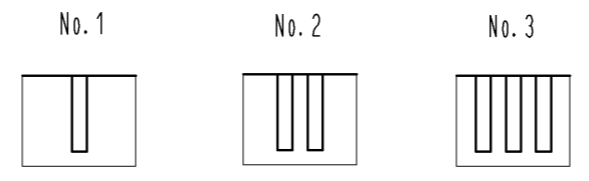


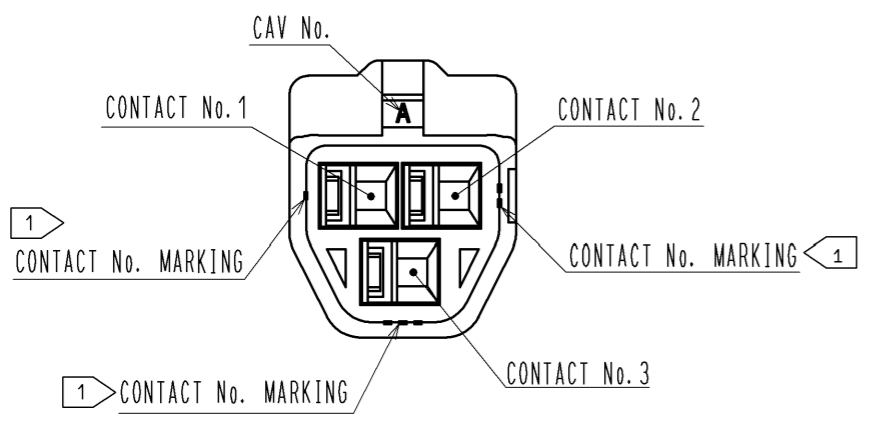
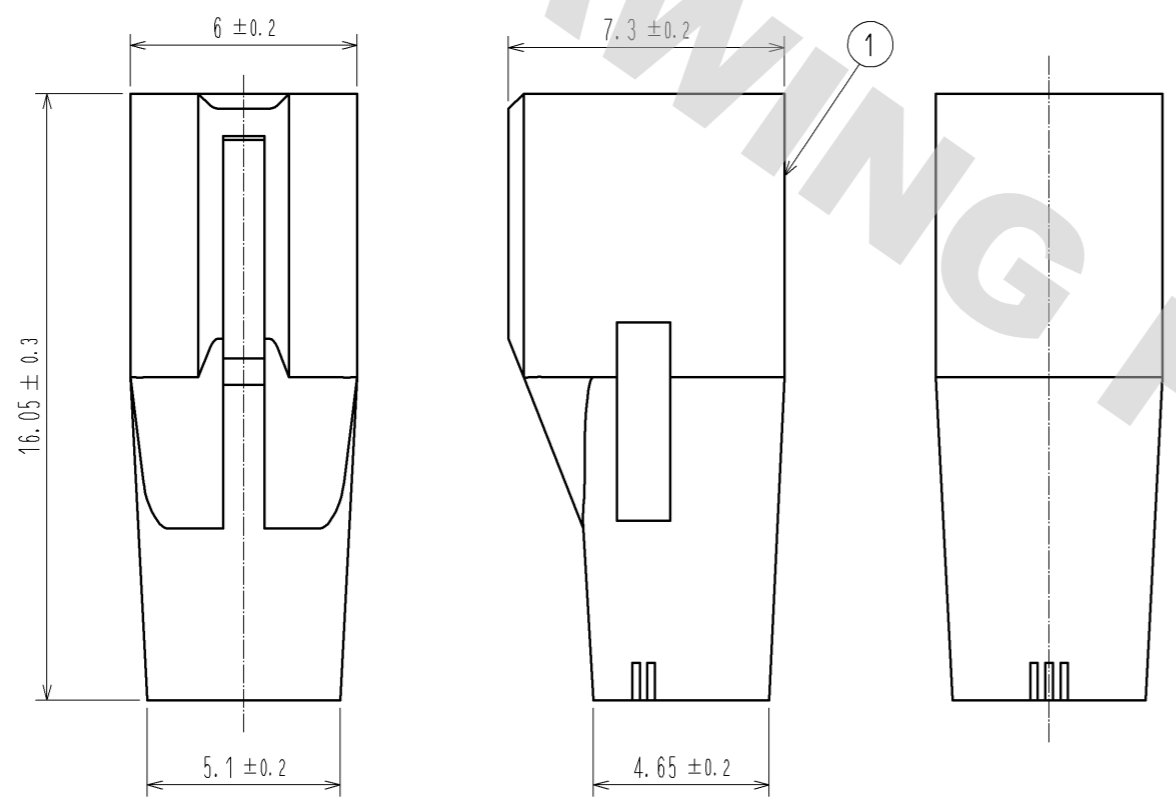
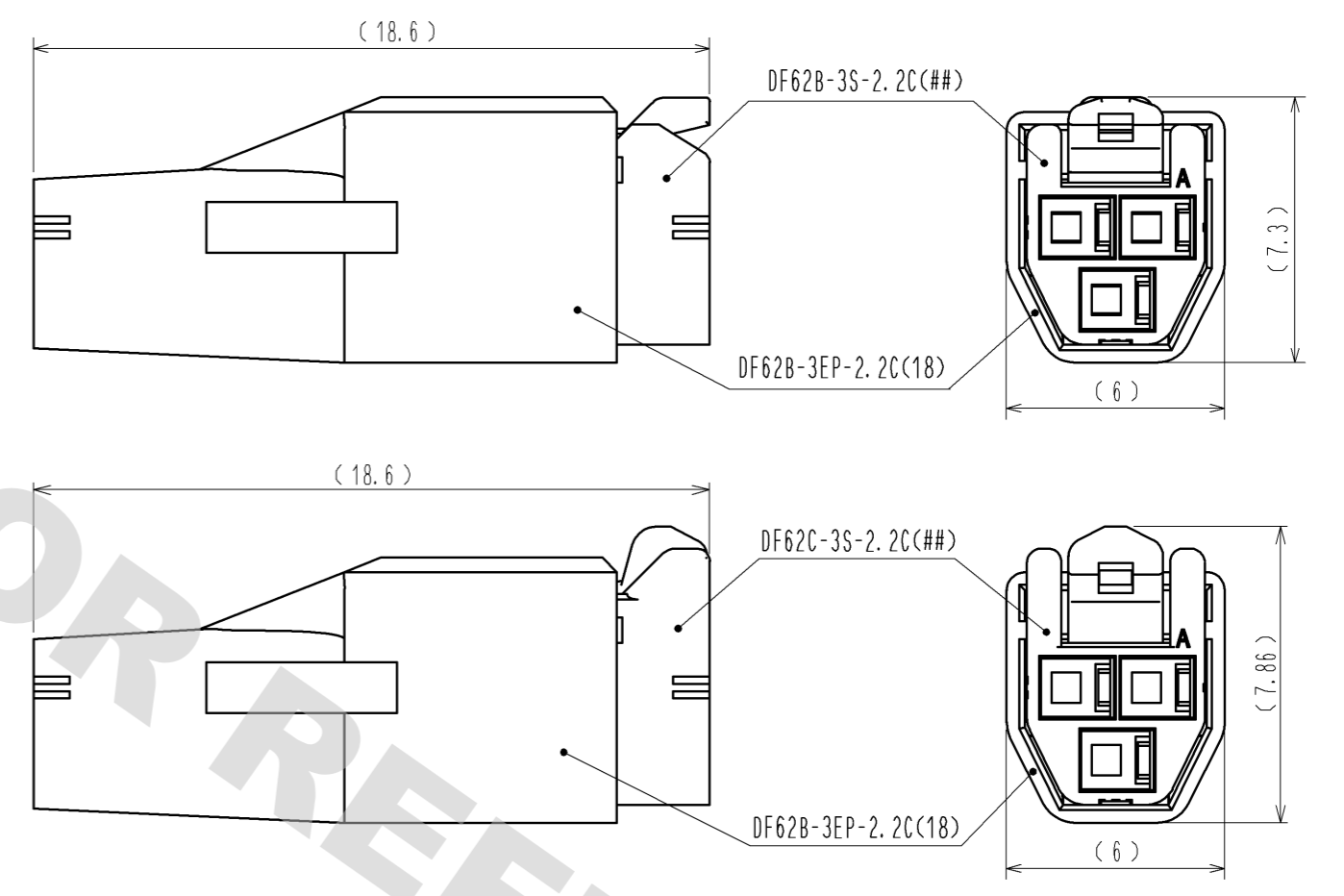
DRAWING FOR REFERENCE: This is subject to change without notice
12/05/2013



1 FIGURE-1 CONTACT No. MARKING (10:1)



MATING FIGURE



NOTE. 1 MARKINGS AT THE INDICATED POSITIONS IS CONTACT NO. MARKING. AND SHAPES ARE SHOWN IN FIGURE-1.
2. PER PACK : 100 PIECES.
3. THE DIMENSIONS IN PARENTHESIS ARE FOR REFERENCE.

NO.		MATERIAL		FINISH . REMARKS		1		PBT		UL94V-0(RED)			
UNITS		SCALE		COUNT		DESCRIPTION OF REVISIONS		DESIGNED		CHECKED		DATE	
mm		5 : 1		△									
HIROSE ELECTRIC CO., LTD.		APPROVED : KI. AKIYAMA		13. 09. 10		DRAWING NO.		EDC3-351964-02					
		CHECED : OM. MIYAMOTO		13. 09. 10		PART NO.		DF62B-3EP-2. 2C(18)					
		DESIGNED : TH. YOSHIZAWA		13. 09. 09		CODE NO.		CL544-0559-1-18					
		DRAWN : MI. SAKIMURA		13. 09. 04									