

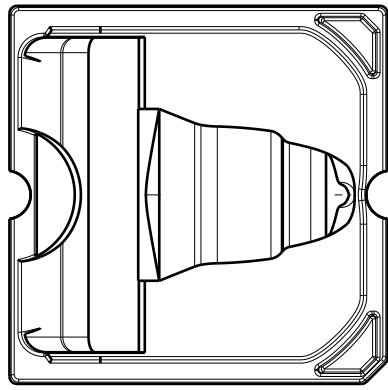

Ordering number C12410
Description 1

Family	Strada-SQ
Type	Lens
LED	Oslon Square PC
Color	Clear
Diameter	25 + 25 mm
Height	9 mm
Style	Square
Optic Material	PMMA
Holder Material	-
Fastening	-
Status	Ready

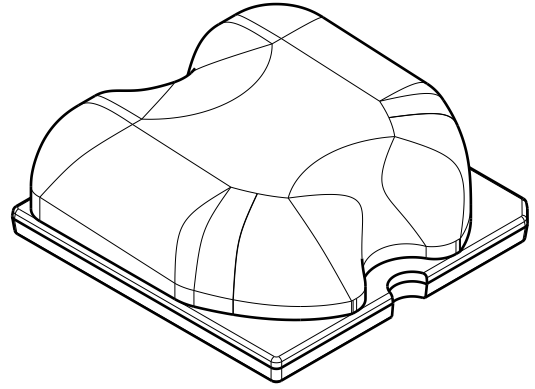
FWHM	Asym degrees
Efficiency	96 %
cd/lm	-
Gerber File	Available

Positioning: External position element / Automatic assembling li

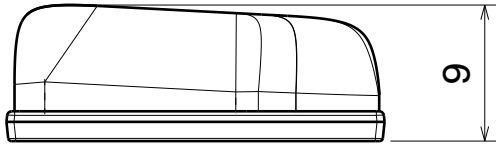
NOTE: The typical divergence will be changed by different color, chip size and chip position tolerance. The typical total divergence is the full angle measured where the luminous intensity is half of the peak value.



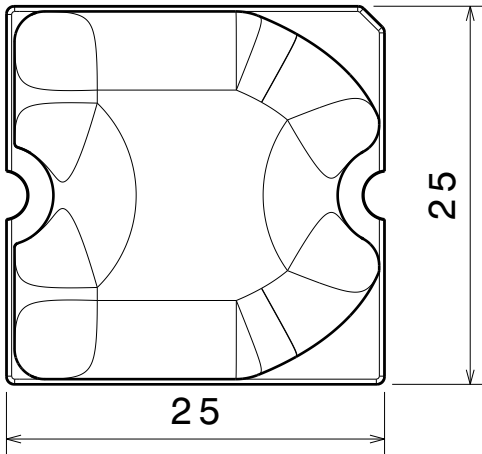
Bottom view



Isometric view



Front view



Top view

Tolerances if not otherwise shown:
According to DIN ISO 2768-1
Linear measures:
Up to 30mm class F, otherwise class M.

According to DIN ISO 2768-2
Form and position:
class K

Control for SPC marked dimensions.

This drawing is our property.
It can't be reproduced
or communicated without
our written agreement.



Ledil Oy
Salorankatu 10
FIN 24240 SALO
Finland

DRAWING TITLE Mechanical drawing

DRAWN BY as
DATE 25.9.2012

STRADA-SQ-A-T

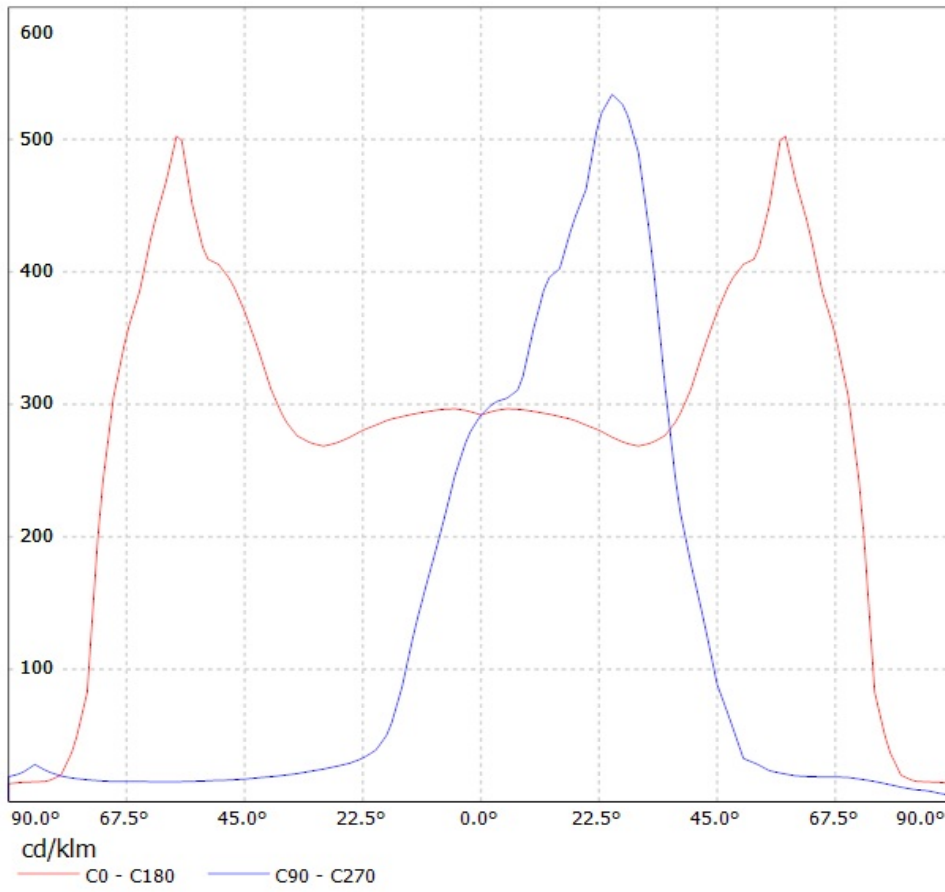
CHECKED BY VS
DATE -

SIZE A4 PART NUMBER REV 001

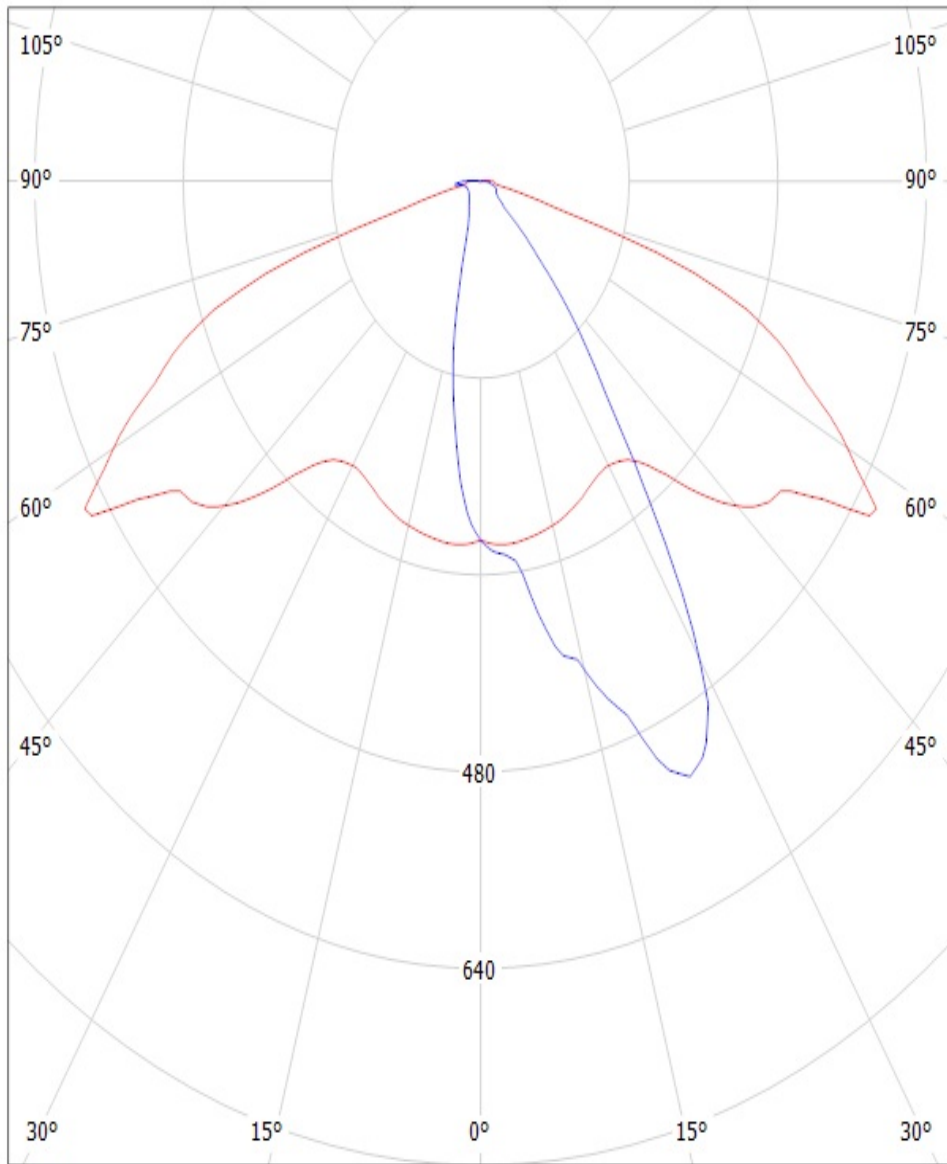
DESIGNED BY -
DATE -

SCALE 2:1 WEIGHT 4,97 g SHEET 1/1

Luminaire: LEDIL OY C12410_STRADA-SQ-A-T_(Osram Square PC) Eff. 96%
Lamps: 1 x Osram Square PC (86.7lm@250mA)



Luminaire: LEDIL OY C12410_STRADA-SQ-A-T_(Osram Square PC) Eff. 96%
Lamps: 1 x Osram Square PC (86.7lm@250mA)



cd/klm

— C0 - C180 — C90 - C270