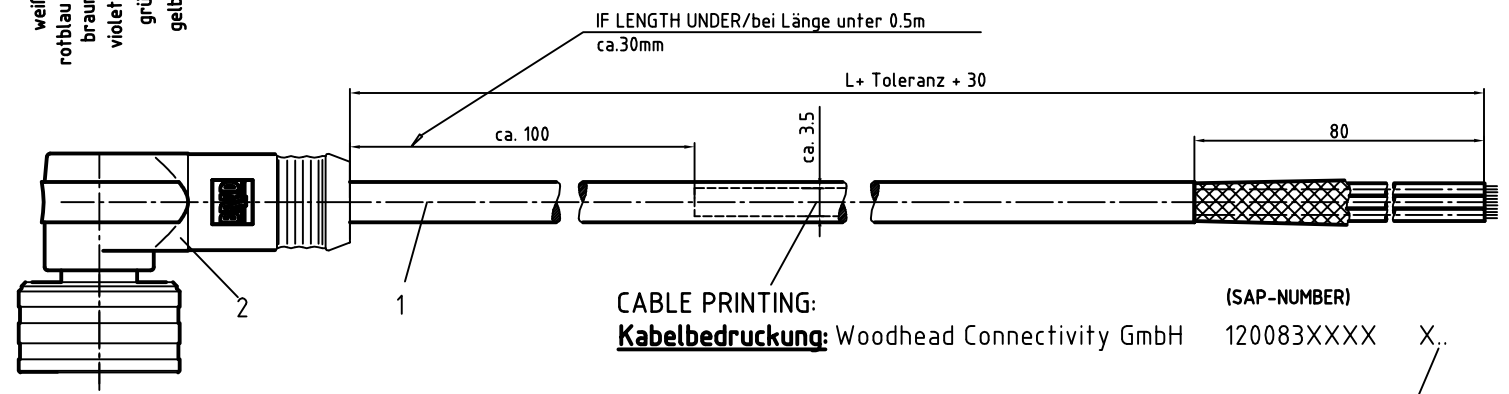
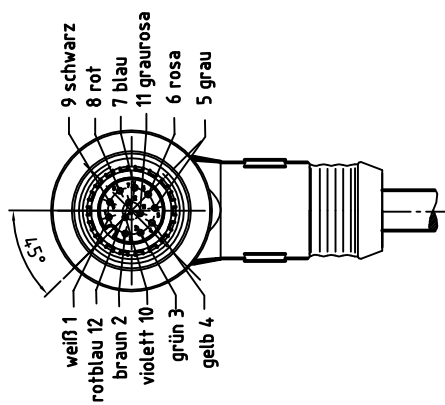


MATING SIDE
 MALE CABLE CONNECTOR SHIELDED
 Steckseite
 Kabelstecker U-Lock geschirmt
 12-Pol



CABLE PRINTING:
Kabelbedruckung: Woodhead Connectivity GmbH (SAP-NUMBER) 120083XXXX X..

PROD. DATA ACCORDING IN
 Fertigungsdatum gemäß
 WN 00001

SAP-NUMBER	ENGINEERING NO.	DESCRIPTION	OVERMOLD COLOR	LENGTH
SAP-Nummer	Engineering Nr.	Beschreibung	Umspritzungsfarbe	Länge
1200835165	120083-5165	M12-AU-12P-M-90-SHD-SE-PUR-1M	BLACK/schwarz	1M
1200835166	120083-5166	M12-AU-12P-M-90-SHD-SE-PUR-2M	BLACK/schwarz	2M
1200835173	120083-5173	M12-AU-12P-M-90-SHD-SE-PUR-3M	BLACK/schwarz	3M
1200835167	120083-5167	M12-AU-12P-M-90-SHD-SE-PUR-4M	BLACK/schwarz	4M
1200835168	120083-5168	M12-AU-12P-M-90-SHD-SE-PUR-5M	BLACK/schwarz	5M

Allgemeine Kennwerte General Characteristics		Norm Standard	
Polzahl Kontaktanordnung	Number of contacts Contact configuration	IEC 947-5-2	12
Bemessungsspannung	Rated Voltage	IEC 664	30V AC / DC
Verschmutzungsgrad	Pollution Degree	IEC 664	3
Betriebsstrom	Current carrying capacity	IEC 512-3 Test 5 b	1,5A
Durchgangswiderstand	Contact Resistance	IEC 512-2 Test 2 a	< 5mOhm
Bemessungsstoßspannung	Rated Impulse Withstand Voltage	IEC 664	0,8 kV
Prüfspannung	Test Voltage	IEC 60512-2 Test 4 A	0,5 kV / 60 sec
Isolationswiderstand	Insulation Resistance	IEC 512-2 Test 3 A	> 10 GOhm
IP-Schutzart	IP Degree of Protection	IEC 529	IP 67
Stiftdurchmesser	Pin Diameter		0,6 mm
Werkstoffe	Kontakte	Contacts	Kupferlegierung / copper alloy
	Kontaktoberfläche	Contacts Plating	Au/Ni
	Kontaktträger	Dielectric Material	PUR
	Gehäuse (Umspritzung)	Housing (Overmold)	PUR
	Dichtung (O-Ring)	Gaskets (O-Ring)	FPM
	Schiebehülse	Push Sleeve	CuZn (brass) mit Ni-Oberfläche Nickel Plated
Anschlussart		Termination	Crimp
Brenn- Därkeit	Kontaktträger	Inserts	HB
	Gehäuse (Umspritzung)	Housing (Overmold)	HB
	Leitung / Kabel	Cable	HFT (UL); FT2 (CSA)
Mechanische Lebensdauer	Mechanical Operation		100 Steckzyklen/Mating Cycles
Temperaturbereich	Temperature Range	IEC 60668-1	-25°C / +80°C

TOLERANCES FOR CABLE TREATMENT UNLESS OTHERWISE STATED WN 00004
Toleranzen für Kabelbearbeitung, wenn nicht anders angegeben, nach WN 00004.

BASICALLY COLORE (TRANSLATION)
Prinzipielle Farbtabelle (Übersetzung)

BU/ BLUE	bl/blau
WH/WHITE	ws/weiß
GN/ GREEN	gn/grün
GY/ GREY	gr/grau
PK/ PINK	rs/rosa
YE/ YELLOW	ge/gelb
RD/ RED	rt/rot
BK/ BLACK	sw/schwarz
VT/ VIOLET	vi/violett
BN/ BROWN	bn/braun

(...) DIM. FOR INFORMATION
 (...) Informationsmaß

DESCRIPTION EC NO.: WEU2009-0473 DRWN: LSTEMMLE 08.07.09 CH'KD: RE 2009/07/08 APPR: JKOLB 2009/07/17	QUALITY SYMBOLS ▽ = 0 ▽C = 0	GENERAL TOLERANCES (UNLESS SPECIFIED)		DIMENSION STYLE MM		SCALE 1:1	DESIGN UNITS METRIC	FIRST ANGLE PROJECTION
		mm	INCH	DRAWN BY LS	DATE 2009/07/08	M12-AU-12P-M-90-SHD SE-PUR-XM		
		4 PLACES ±---	±---	CHECKED BY JKO	DATE 2009/07/08			
		3 PLACES ±---	±---	APPROVED BY JKO	DATE 2009/07/08			
2 PLACES ±0.05	±---	MATERIAL NO. see Table		DOCUMENT NO. SD-120083-017	SHEET NO. 1 OF 1			
1 PLACE ±0.1	±---	DRAFT WHERE APPLICABLE MUST REMAIN WITHIN DIMENSIONS		MOLEX INCORPORATED		THIS DRAWING CONTAINS INFORMATION THAT IS PROPRIETARY TO MOLEX INCORPORATED AND SHOULD NOT BE USED WITHOUT WRITTEN PERMISSION		
ANGULAR ± --- °		SIZE A3						