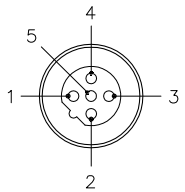
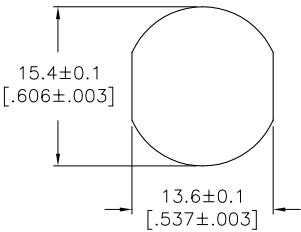
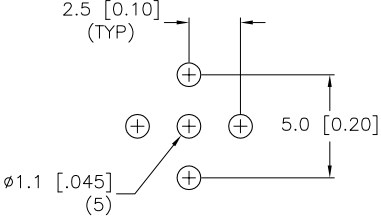
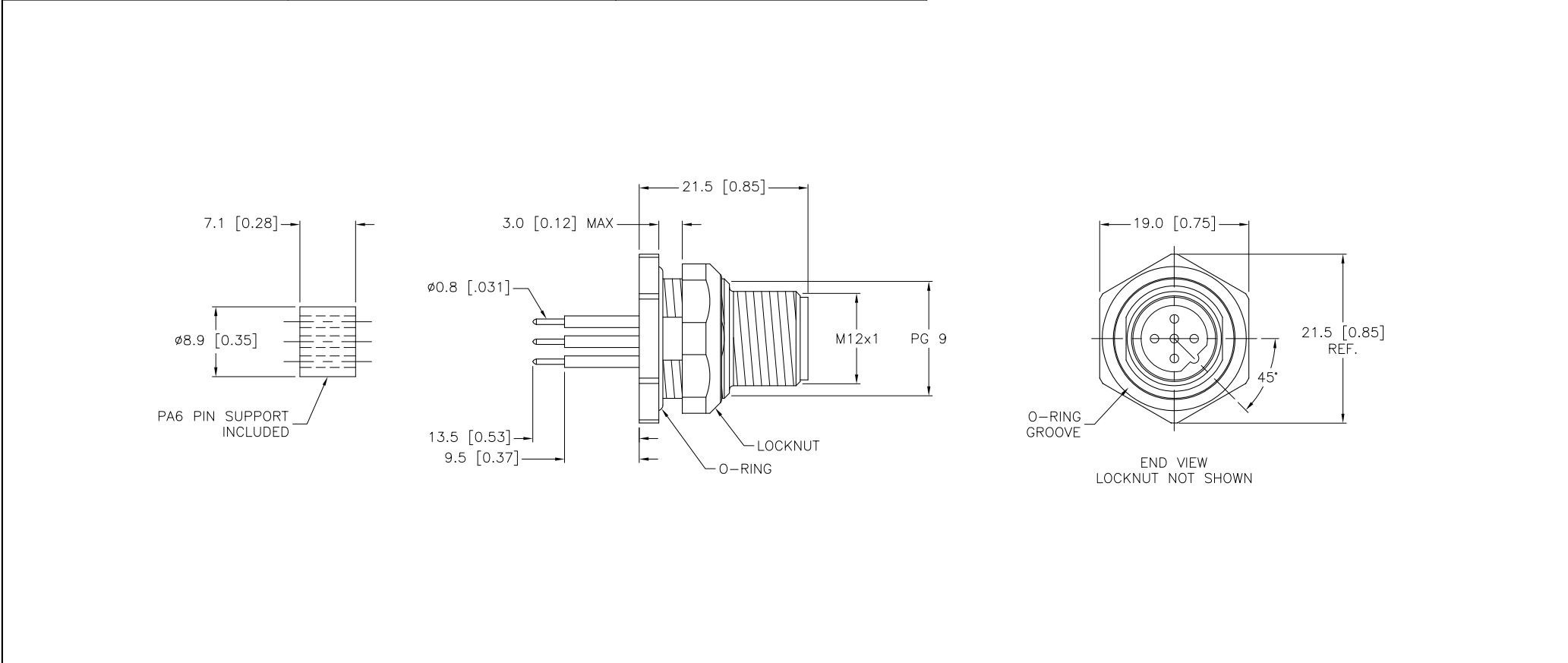
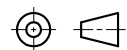


<p>MALE END VIEW</p> 	<p>TYPICAL PANEL CUTOUT</p> 	<p>BOARD LAYOUT 2:1</p> 	<p>SPECIFICATIONS</p>	
			<p>CONTACT CARRIER MATERIAL</p>	<p>NYLON OR TPU/BLACK</p>
			<p>CONTACT MATERIAL/PLATING</p>	<p>BRASS/GOLD</p>
			<p>HOUSING/LOCKNUT MATERIAL/PLATING</p>	<p>BRASS/NICKEL</p>
			<p>RATED CURRENT [A]</p>	<p>4.0 A</p>
			<p>RATED VOLTAGE [V]</p>	<p>250 V</p>
			<p>NUMBER OF CONDUCTORS [AWG]</p>	<p>PRINTED CIRCUIT PINS</p>
			<p>TEMPERATURE RATING</p>	<p>-30°C to +80°C (-22°F to +176°F)</p>
			<p>PROTECTION CLASS</p>	<p>MEETS NEMA 1,3,4,6P AND IEC IP68</p>



SOURCE DRAWING - FOR REFERENCE ONLY

<p>RELATED DOCUMENTS</p> <ol style="list-style-type: none"> 1. 2. 3. 4. 	<p>3RD ANGLE PROJECTION</p> 	<p>THIS DRAWING IS PROPERTY OF TURCK INC. USE OF THIS DOCUMENT WITHOUT WRITTEN PERMISSION IS PROHIBITED.</p>		<p>3000 CAMPUS DRIVE MINNEAPOLIS, MN 55441 1-800-544-7769 (763) 553-7300 (763) 553-0708 fax turck.com</p>	
<p>MATERIAL</p> <p>SEE SPECIFICATIONS</p>	<p>ALL DIMENSIONS DISPLAYED ON THIS DRAWING ARE FOR REFERENCE ONLY</p>	<p>DRFT IK</p>	<p>DATE 02/13/97</p>	<p>DESCRIPTION</p> <p>FSFDW 4.5</p>	
<p>FINISH</p> <p>SEE SPECIFICATIONS</p>	<p>CONTACT TURCK FOR MORE INFORMATION</p>	<p>UNIT OF MEASUREMENT</p> <p>MILLIMETER [INCH]</p>		<p>IDENTIFICATION NO.</p> <p>U9040</p>	<p>REV</p> <p>F</p>
<p>F DRAWING PROCESSED AS PART OF ECO 33971</p>	<p>CBM 04/07/11 33971</p>	<p>DO NOT SCALE THIS DRAWING</p>			
<p>REV DESCRIPTION</p>	<p>BY DATE ECO NO.</p>	<p>FILE: U9040</p>	<p>SHEET 1 OF 1</p>		