

## Datasheet

# Red Surface Mount Female 3P+N+E Right Angle Industrial Power Socket Rated At 32A, 346 → 415 V

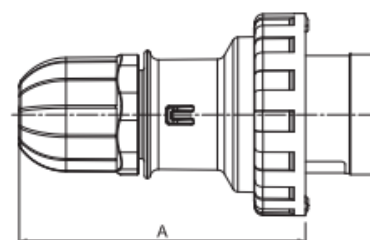
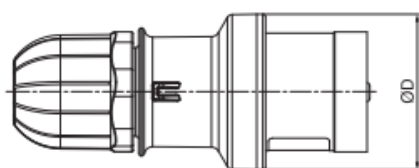
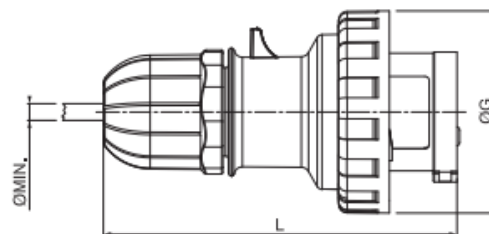
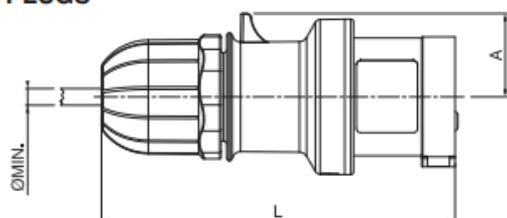
RS Stock number [688-5418](#)



### Specifications:

Rated current:	<b>16A - 32A - 63A - 125A</b>
Rated voltage:	<b>100÷690V~</b>
Frequency:	<b>c.c - 50÷500Hz</b>
Insulating voltage:	<b>500/690V~</b>
Protection degree:	<b>IP44 - IP66/IP67</b>
Operating temperature according to the reference standard:	<b>-25°C+40°C</b>
Max operating temperature:	<b>60°C</b>
Glow Wire test:	<b>650°C/850°C</b>
Material:	<b>Engineering plastic</b>
IK degree at 20°C:	<b>IK08</b>
Cable inlets:	<b>Cable gland</b>
Halogen free:	<b>Yes</b>
Terminals:	<b>Screw (16A-32A-63A-125A) Insulation perforating (16A)</b>
Safe-in device:	<b>16A</b>
Snap-on device:	<b>16A</b>

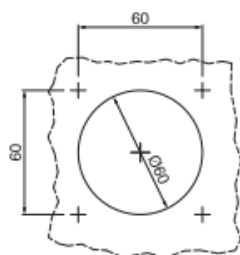
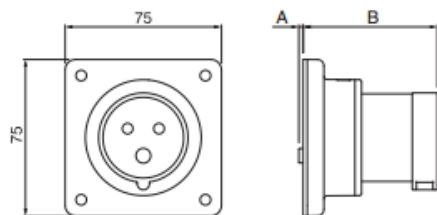
**PLUGS**



IP44		A	Ø D	L Min	Ø Min
	2P+E	30	56	128	6
16A	3P+E	34	60	135	6
	3P+N+E	38	65	153	9
32A	2P+E	40	65	162	9
	3P+E	40	65	162	9
	3P+N+E	45	73	176	13

IP66/IP67		A	Ø G	L Min	Ø Min
	2P+E	103	73	128	6
16A	3P+E	110	81	135	6
	3P+N+E	129	88	153	9
32A	2P+E	131	93	162	9
	3P+E	131	93	162	9
	3P+N+E	145	101	176	13
63A		160	112	220	17
125A		202	128	272	26

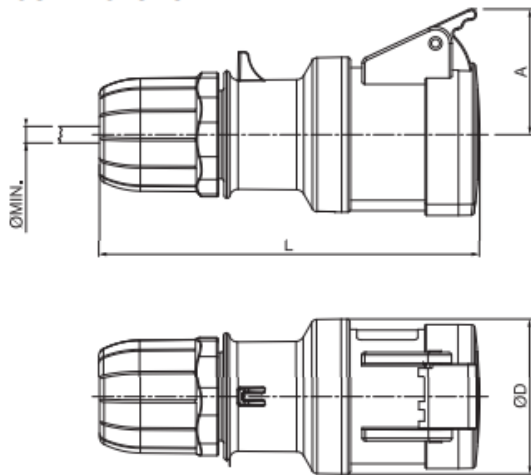
**APPLIANCE INLETS - IP44**



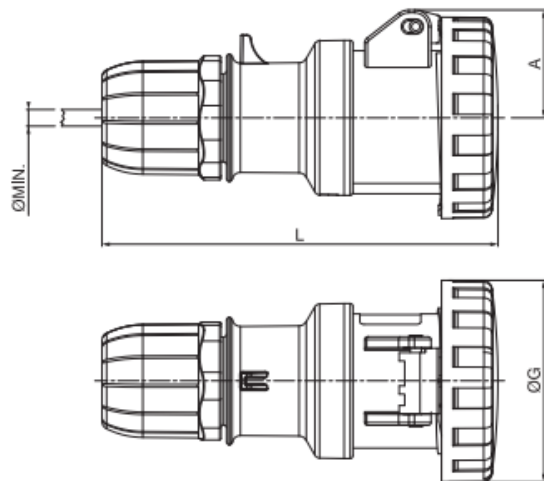
IP44		A	B
	2P+E	2	65
16A	3P+E	2	65
	3P+N+E	2	65
32A	2P+E	19	73
	3P+E	19	73
	3P+N+E	19	73

(Dimensions in mm)

**CONNECTORS**

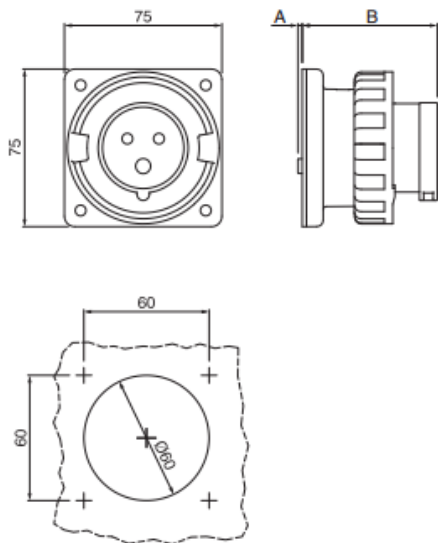


IP44		A	Ø D	L Min	Ø Min
	2P+E	46	56	138	6
16A	3P+E	49	60	145	6
	3P+N+E	54	65	165	9
	2P+E	54	65	175	9
32A	3P+E	54	65	175	9
	3P+N+E	59	73	190	13



IP66/IP67		A	Ø G	L Min	Ø Min
	2P+E	39	73	141	6
16A	3P+E	43	81	148	6
	3P+N+E	51	88	168	9
	2P+E	56	93	178	9
32A	3P+E	56	93	178	9
	3P+N+E	52	101	195	13
63A		57,5	112	230	17
125A		64,25	128	288	26

**APPLIANCE INLETS - IP66/IP67**



IP66/IP67		A	B
	2P+E	2	65
16A	3P+E	2	65
	3P+N+E	2	65
	2P+E	19	73
32A	3P+E	19	73
	3P+N+E	19	73

(Dimensions in mm)