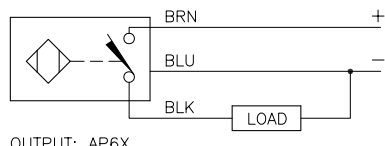


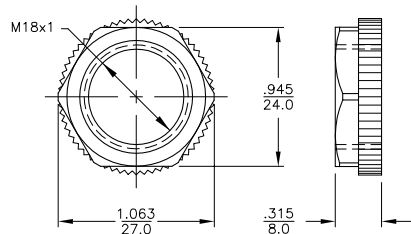
WIRING DIAGRAM



OUTPUT: AP6X

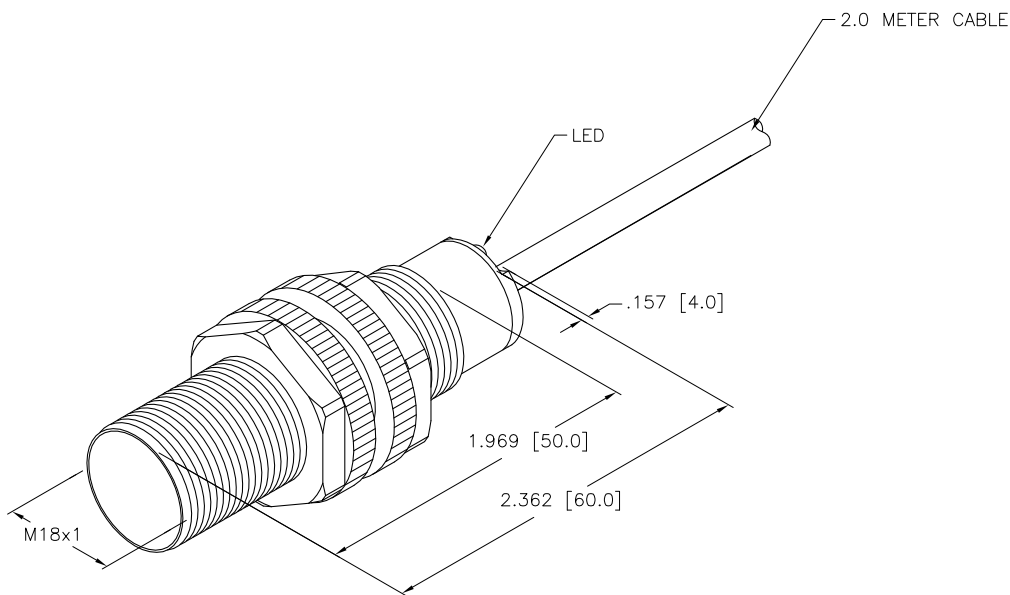
SHORT-CIRCUIT AND OVERLOAD PROTECTED

LOCKNUT LN-P18



SPECIFICATIONS

RATED OPERATING DISTANCE	8mm [0.315"]
MOUNTING MODE	NON-FLUSH
REPEATABILITY	≤2%
TEMPERATURE DRIFT	≤±10%
HYSTERESIS	3-15%
OPERATING TEMPERATURE	-25°C to +70°C (-13°F to +158°F)
OPERATING VOLTAGE	10-30 VDC
RESIDUAL RIPPLE	≤10%
DC RATED OPERATIONAL CURRENT	≤ 200mA
NO-LOAD CURRENT	≤ 15 mA
RESIDUAL CURRENT	≤ 1 mA
RATED INSULATION VOLTAGE	≤ 0.5 kV
SHORT-CIRCUIT PROTECTION	YES
MAX. VOLTAGE DROP	≤ 1.8 V
WIRE BREAKAGE PROTECTION	INCORPORATED
REVERSE POLARITY PROTECTION	INCORPORATED
OUTPUT FUNCTION	3-WIRE, NORMALLY OPEN, PNP
MAX. SWITCHING FREQUENCY	≤ 2 kHz
HOUSING MATERIAL	PLASTIC, PA12-GF30
MATERIAL ACTIVE FACE	PLASTIC, PA12-GF30
CABLE	∅5.2, PVC
VIBRATION RESISTANCE	55 Hz (IN ALL 3 PLANES)
SHOCK RESISTANCE	30g (11ms)
PROTECTION CLASS	IP67
SWITCHING STATUS INDICATION	LED, YELLOW



SOURCE DRAWING - FOR REFERENCE ONLY

RELATED DOCUMENTS		3RD ANGLE PROJECTION		THIS DRAWING IS CONFIDENTIAL AND THE PROPERTY OF TURCK INC. USE OF THIS DOCUMENT WITHOUT WRITTEN PERMISSION IS PROHIBITED.		TURCK INC High Technology Sensors and Automation Controls 3000 CAMPUS DRIVE MINNEAPOLIS, MN 55441 1-800-544-7769 (763) 553-7300 (763) 553-0708 fax turck.com	
1.			ALL DIMENSIONS DISPLAYED ON THIS DRAWING ARE FOR REFERENCE ONLY	DRFT	GMB	DATE	9/8/88
2.				APVD		SCALE	1=1.0
3.		MATERIAL		UNIT OF MEASUREMENT		DESCRIPTION	
4.		SEE SPECIFICATION		INCH [MILLIMETER]		NI 8-S18-AP6X	
FINISH		SEE SPECIFICATION		CONTACT TURCK FOR MORE INFORMATION		IDENTIFICATION NO.	REV
						T4656200	A
DO NOT SCALE THIS DRAWING		FILE: T4656200		SHEET 1 OF 1			

A	DRAWING RELEASE	RJP	2/15/93	
REV	DESCRIPTION	BY	DATE	ECO NO.