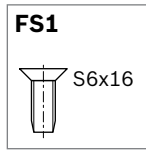


Type	
20/3	23 Nm

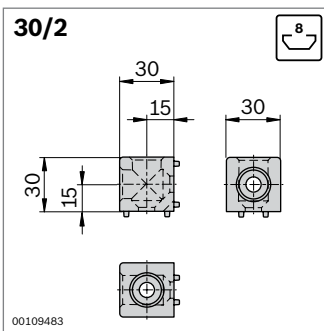


Cubic connector 20/3	Slot	ESD	No.	FS
Set (standard), signal gray	6		1	3 842 549 860 3xFS1
Set <i>designLINE</i> , signal gray	6		1	3 842 549 861 3xFS1
Cubic connector	6		20	3 842 523 872
Cover cap	signal gray (PP)		100	3 842 548 700
D12	black (PP)		100	3 842 548 704
Countersunk screw S6x16	6		100	3 842 517 132

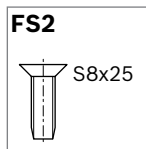
Material: Cubic connector: Die-cast aluminum
designLINE cubic connector: painted (RAL 9006)
 Fastening material: steel; galvanized

Scope of delivery: set incl. fastening material (FS), caps

Cubic connector creates conductive connection, but the cover caps included in the set are not ESD-compatible.



Type	
30/2	80 Nm

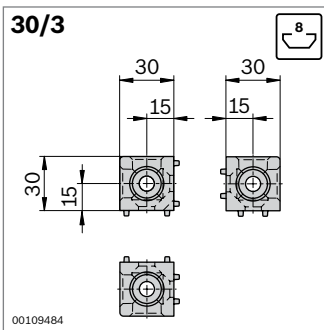


Cubic connector 30/2	Slot	ESD	No.	FS
Set (standard), signal gray	8		1	3 842 549 862 2xFS2
Set <i>designLINE</i> , signal gray	8		1	3 842 549 863 2xFS2
Cubic connector	8		20	3 842 523 876
Cover cap	signal gray (PP)		100	3 842 548 701
D18	black (PP)		100	3 842 548 705
Countersunk screw S8x25	8		100	3 842 517 543

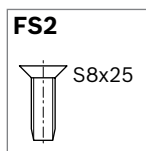
Material: Cubic connector: Die-cast aluminum
designLINE cubic connector: painted (RAL 9006)
 Fastening material: steel; galvanized

Scope of delivery: set incl. fastening material (FS), caps

Cubic connector creates conductive connection, but the cover caps included in the set are not ESD-compatible.



Type	
30/3	85 Nm



Cubic connector 30/3	Slot	ESD	No.	FS
Set (standard), signal gray	8		1	3 842 549 864 3xFS2
Set <i>designLINE</i> , signal gray	8		1	3 842 549 865 3xFS2
Cubic connector	8		20	3 842 523 873
Cover cap	signal gray (PP)		100	3 842 548 701
D18	black (PP)		100	3 842 548 705
Countersunk screw S8x25	8		100	3 842 517 543

Material: Cubic connector: Die-cast aluminum
designLINE cubic connector: painted (RAL 9006)
 Fastening material: steel; galvanized

Scope of delivery: set incl. fastening material (FS), caps

Cubic connector creates conductive connection, but the cover caps included in the set are not ESD-compatible.