


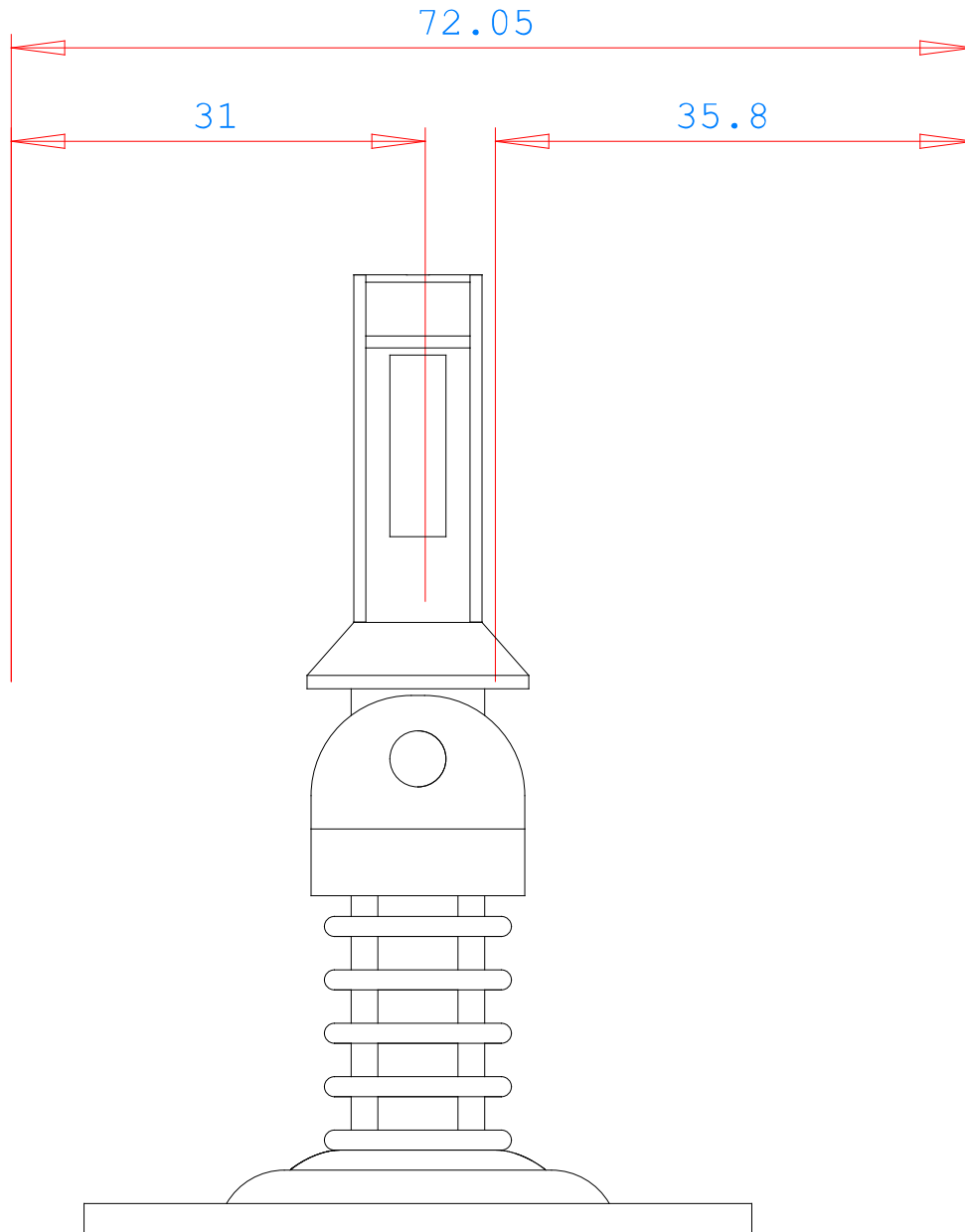
SEPARATE ACTUATOR,
 UNIVERSAL RADIUS ACTUATOR FOR POS. W. TUMBLER
 3SE5312../3SE5322.. AND ASI 3SF13... AND POS. WITH
 SEPARATE ACTUATOR 3SE51../3SE52.. AND ASI
 3SF11../3SF21..

General technical details:		
Product designation		actuator
Ambient temperature		
<ul style="list-style-type: none"> during the operating phase 	°C	-25 ... 85
Design of the operating mechanism		universal actuator
Built in orientation		any
Item designation		
<ul style="list-style-type: none"> according to DIN 40719 extendable after IEC 204-2 / according to IEC 750 according to DIN EN 61346-2 		E T

Certificates/approvals:		
General Product Approval	Functional Safety / Safety of Machinery	other
CQC	ROSTEST	Manufacturer
	TÜV	

Further information:

Information- and Downloadcenter (Catalogs, Brochures,...)
<http://www.siemens.com/industrial-controls/catalogs>



last change:

Sep 6, 2010