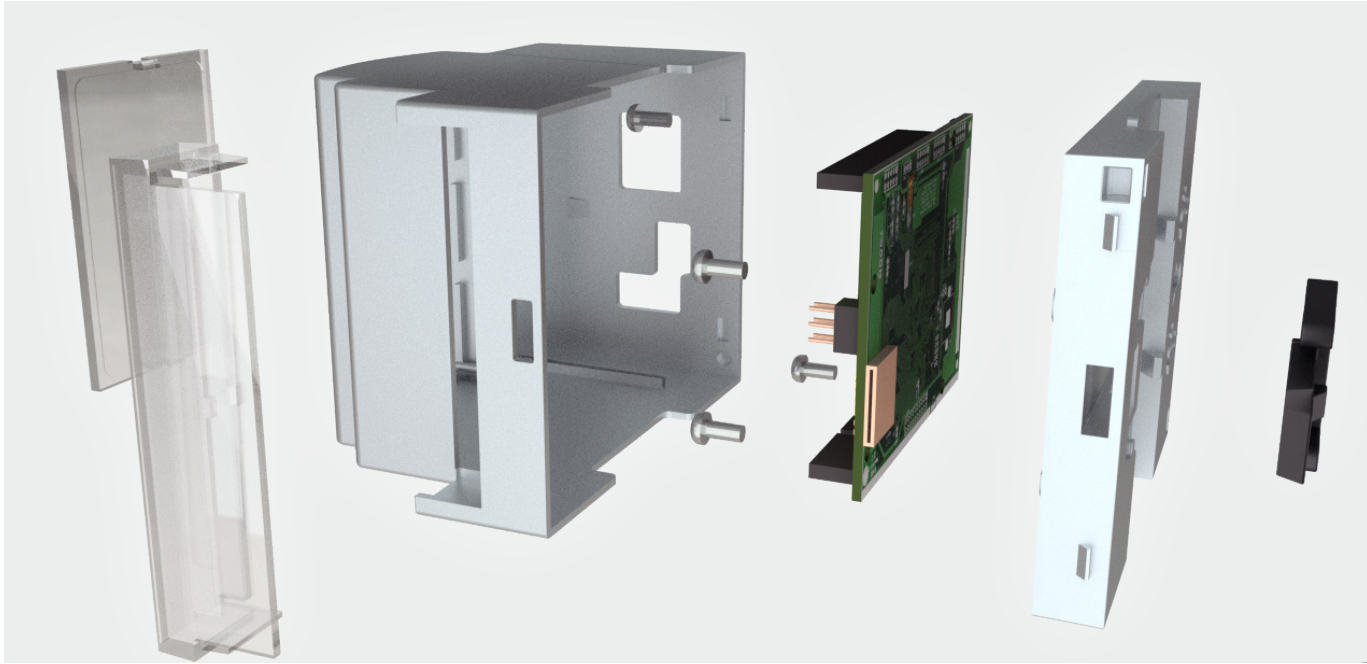
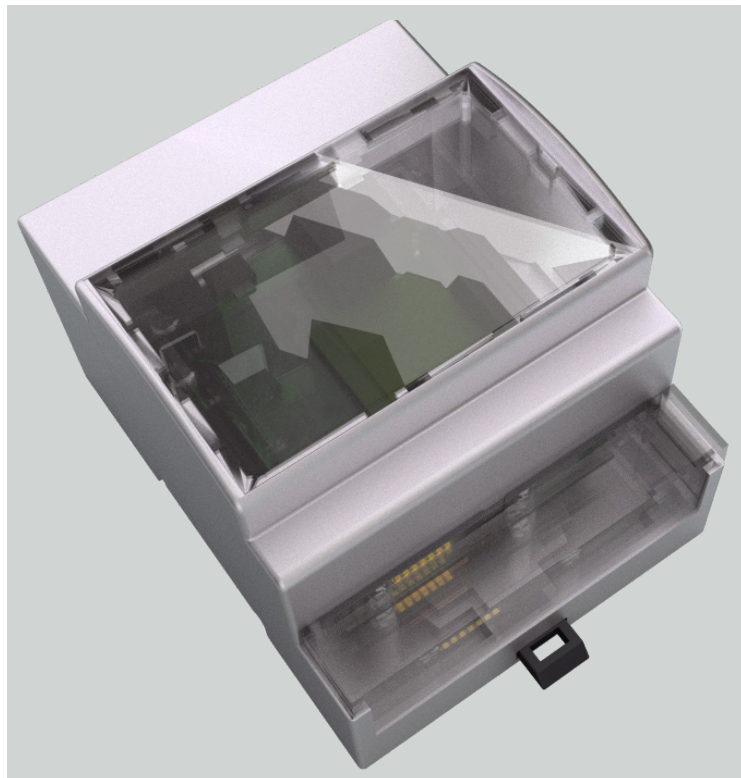


DIN Rail Mounting Enclosures for Embedded Systems

(Manufactured by Italtronic S.R.L. Padova, Italy)



P/N -
25.0410000.YUN



Italtronic Srl. & Hitaltech



Italtronic Srl. based in Padova, Italy design and manufacture an innovative range of plastic enclosures to meet the needs of electronic and electrical applications across varying industries.

Hitaltech are pleased to be the appointed technical sales, marketing and master distributor for the UK, Ireland and US Market.

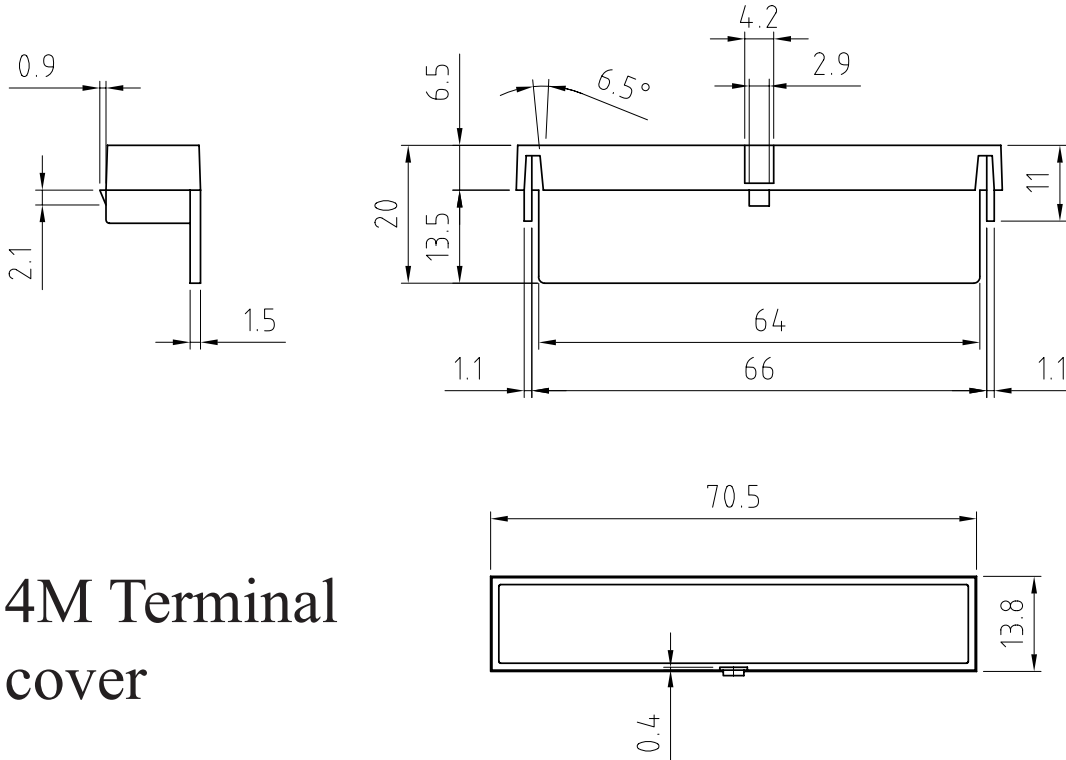
Through our knowledge and experience of the product Hitaltech aim to offer design engineers an Italtronic product which can meet their technical requirements.

The **Modulbox** is a DIN (EN 60715) mounting enclosure which has been designed according to DIN 43880 to meet the needs of a number of applications including heating & lighting control and energy metering.

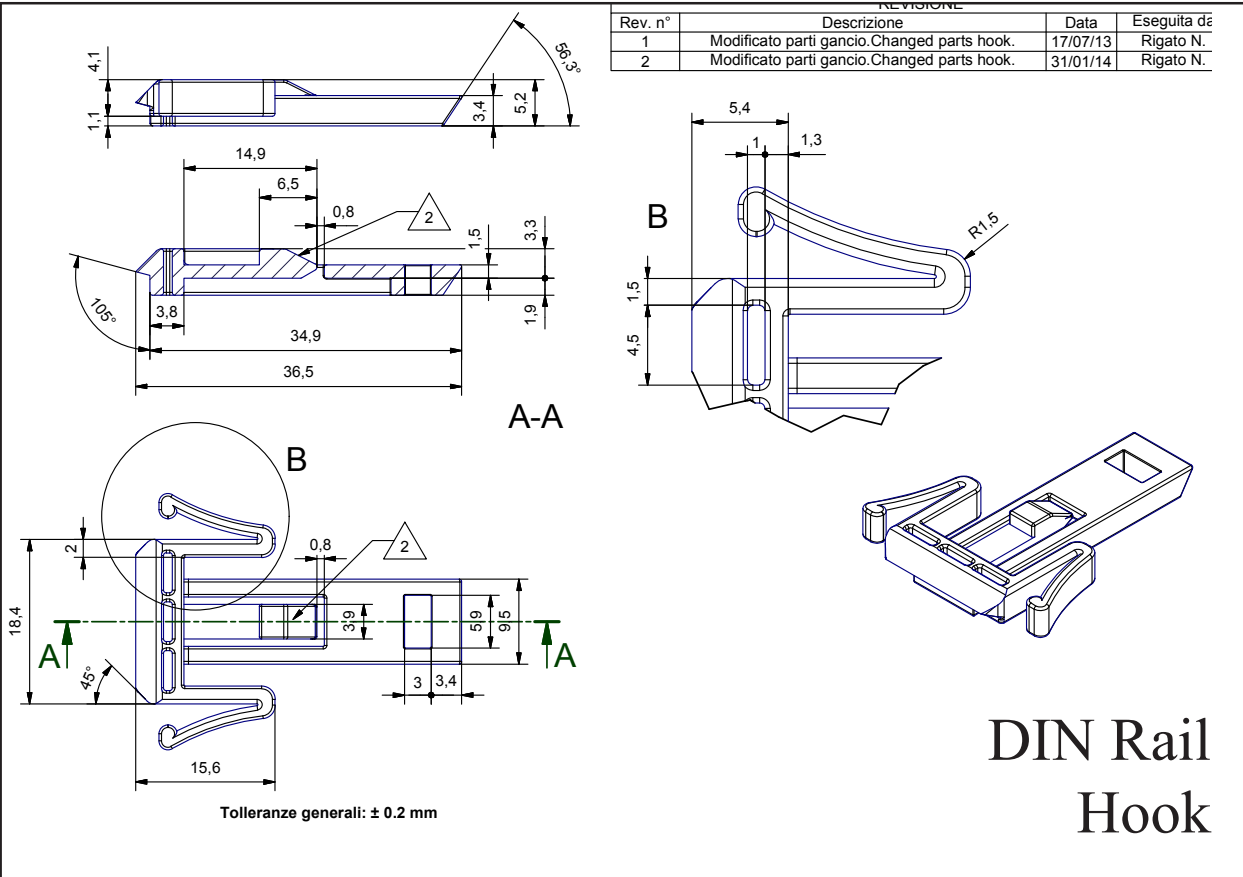
This DIN rail mounting enclosure has been modified specifically to house the embedded board 'Arduinio Yun'.

The Modulbox is produced in UL94V-0 self extinguishing PPO and PC Material.

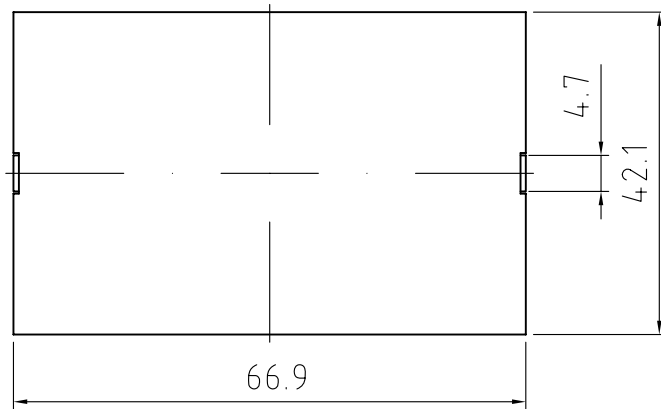
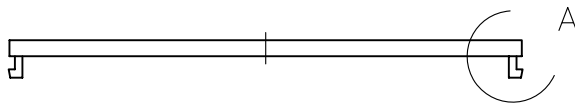
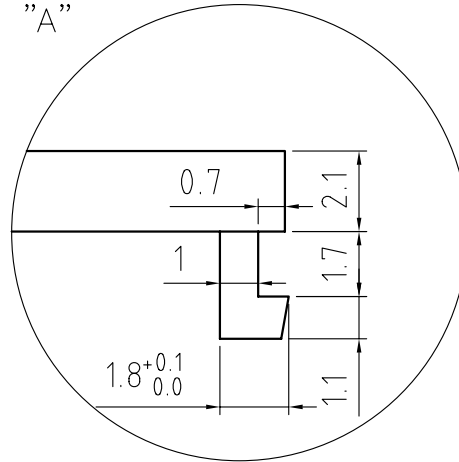
Many customisation options are available which aim to meet any design challenge, including machining and/or machining of the enclosure & accessories to meet customer specific demands.



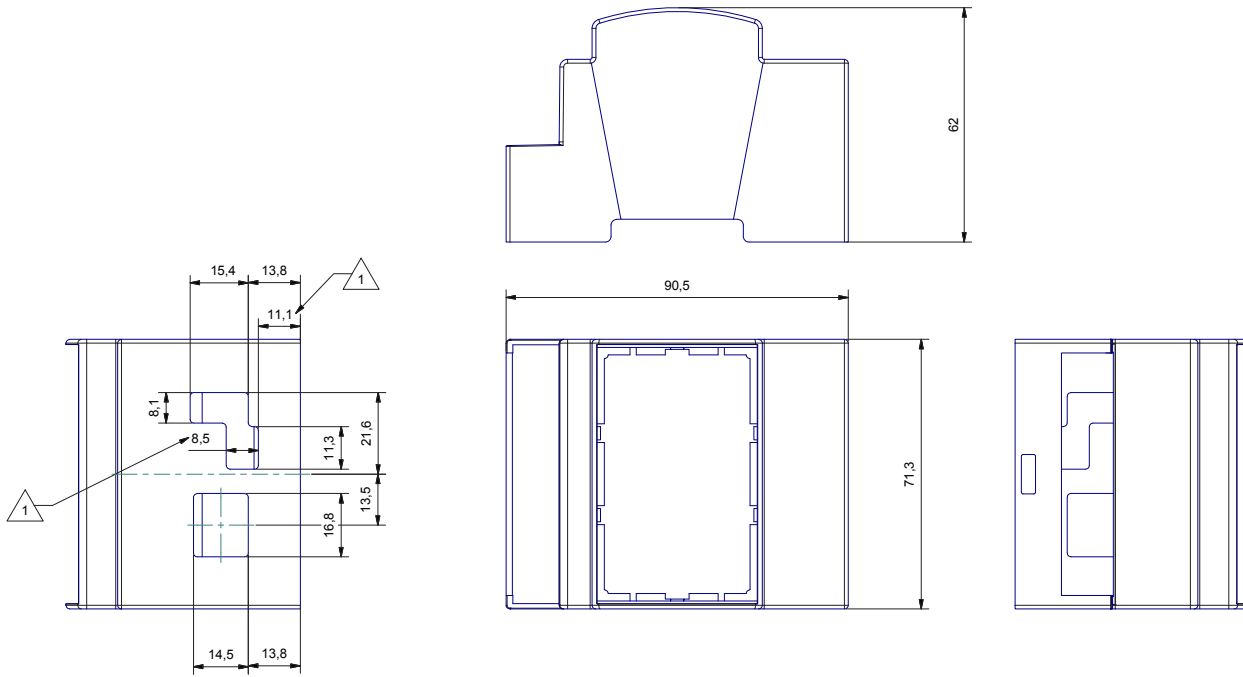
**4M Terminal
cover**



4M Top panel Dettaglio "A"

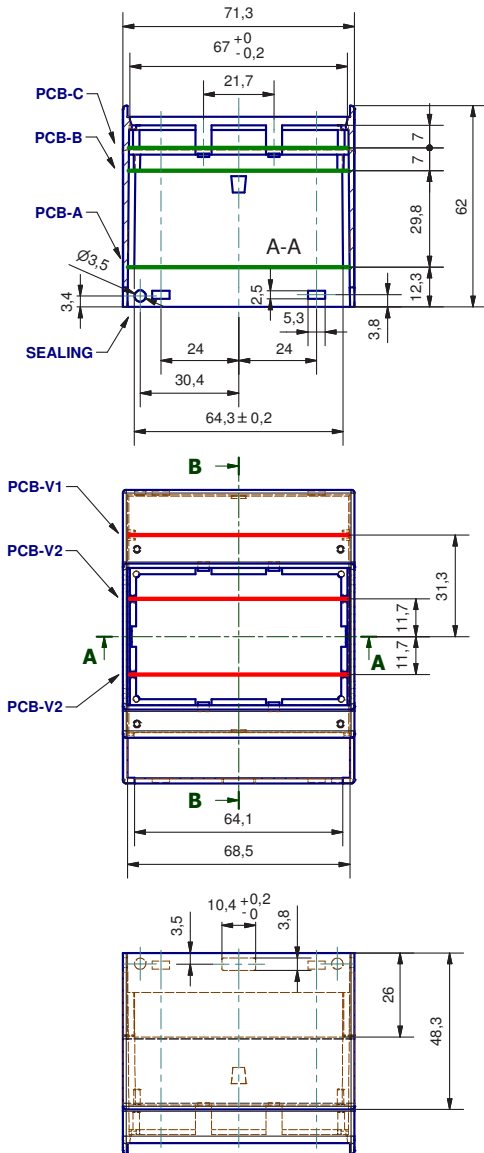


Tolleranza generale / General tolerance= ± 0.2 mm

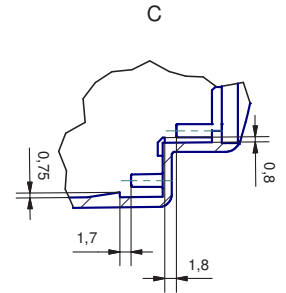
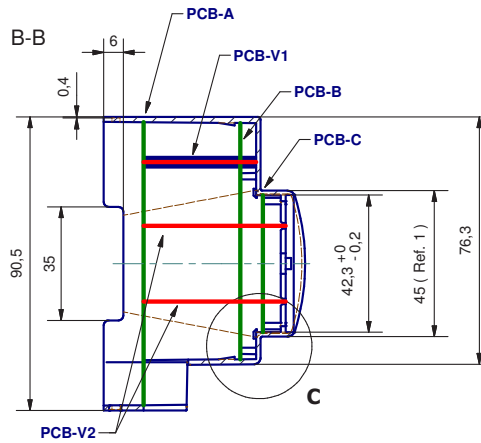


4M Body Enclosure - Arduino

Raggi non quotati R=1 mm



| PCB TYPE | PCB DIMENSION | TOLERANCE |
|----------|---------------|-----------|
| A | 68,0 x 87,0 | ± 0,1 mm |
| B | 67,6 x 72,6 | ± 0,1 mm |
| C | 67,4 x 42,0 | ± 0,1 mm |
| V1 | 67,5 x 34,6 | ± 0,1 mm |
| V2 | 67,3 x 43,8 | ± 0,1 mm |



4M Enclosure
for Arduino

