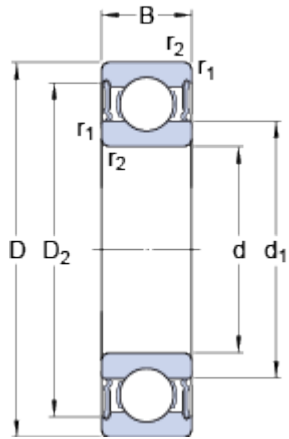


6014-2RS1

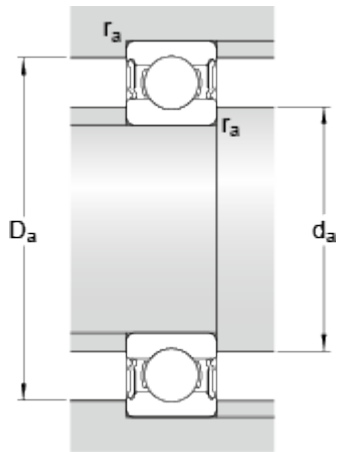
SKF Explorer

Dimensions



d		70	mm
D		110	mm
B		20	mm
d ₁	≈	82.85	mm
D ₂	≈	99.9	mm
r _{1,2}	min.	1.1	mm

Abutment dimensions



d _a	min.	76	mm
d _a	max.	82.8	mm
D _a	max.	104	mm
r _a	max.	1	mm

Calculation data

Basic dynamic load rating	C	39.7	kN
Basic static load rating	C ₀	31	kN
Fatigue load limit	P _u	1.3	kN
Limiting speed		3600	r/min
Calculation factor	k _r	0.025	
Calculation factor	f ₀	15.6	

Mass

Mass bearing		0.63	kg
--------------	--	------	----