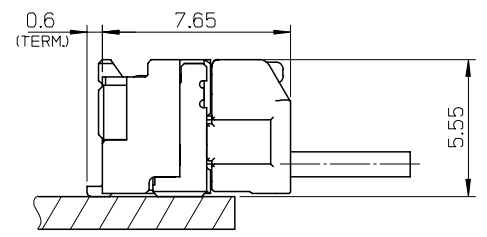


SECTION Z-Z



嵌合図
MATED CONNECTORS

NOTES

1. 嵌合相手: 502380-****
MATE WITH: 502380-****
2. 端子テール部 及び ネイルの平坦度: 0.1MAX.
TAIL AND NAIL COPLANARITY TO BE 0.1 MAX.
APPLY FOR CKT. SIZE / 2 = EVEN.
3. 極数/2=偶数に適用。
APPLY FOR CKT. SIZE / 2 = EVEN.
4. 端子テール部 及び ネイルに錫めっきを使用しているため、
外觀に摺動痕が付く場合が御座います。
BECAUSE THE TIN PLATING IS USED FOR THE TAIL AND NAIL.
THE WOUND OF FRICTION MIGHT ADHERE TO EXTERNALS
5. 本製品のプラスチック部に黒点等が確認される場合や
色合いが異なる場合がありますが、製品性能に影響はありません。
THERE IS NO INFLUENCE IN THE PRODUCT PERFORMANCE THOUGH
THE BLACK SPOT ETC. MIGHT BE CONFIRMED TO THE PLASTIC PART
OF THIS PRODUCT AND THE SHADE MIGHT BE DIFFERENT.

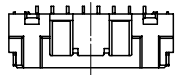
2	10.7	11.5	17.5	21	22.1	502386-1509	15
2	9.45	10.25	16.25	19.75	20.85	502386-1409	14
2	8.2	9	15	18.5	19.6	502386-1309	13
2	6.95	7.75	13.75	17.25	18.35	502386-1209	12
2	5.7	6.5	12.5	16	17.1	502386-1109	11
2	4.45	5.25	11.25	14.75	15.85	502386-1009	10
2	3.2	4	10	13.5	14.6	502386-0909	9
2.6	1.95	2.75	8.75	12.25	13.35	502386-0809	8
F	E	D	C	B	A	製品番号 MATERIAL NO.	極数 CKT. NO.

番号 NO.	部品 PART	材質 MATERIAL
①	ハウジング HOUSING	耐熱性樹脂 UL94V-0 色: ナチュラル HEATPROOF RESIN UL94V-0 COLOR:NATURAL
②	ターミナル TERMINAL	銅合金 COPPER ALLOY 錫めっき: 1.0 micro-meter MIN. TIN (TAIL AREA) ニッケルめっき(下地): 1.0 micro-meter MIN. NICKEL (UNDER PLATING)
③	ネイル NAIL	銅合金 COPPER ALLOY 錫めっき: 1.0 micro-meter MIN. TIN ニッケルめっき(下地): 1.0 micro-meter MIN. NICKEL (UNDER PLATING)

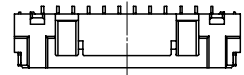
REVISED EC NO: J2008-0004 DRAWN: NISHI 2007/10/29 CHKDK: ASAKAWA 2007/10/29 APPR: YOITO 2007/10/29	GENERAL TOLERANCES (UNLESS SPECIFIED)		DIMENSION STYLE MM ONLY		SCALE 5:1	DESIGN UNITS METRIC	THIRD ANGLE PROJECTION
	10 UNDER	±0.2	DRAWN BY T.MIYAZAKI		DATE 2006/08/28		
	10 OVER 30 UNDER	±0.25	CHECKED BY K.ASAKAWA		DATE 2006/08/28		
	30 OVER	±0.3	APPROVED BY YO. ITO		DATE 2006/08/28		
	ANGULAR	±3 °	MATERIAL NO.		DOCUMENT NO.		SHEET NO.
	DRAFT WHERE APPLICABLE MUST REMAIN WITHIN DIMENSIONS		SEE TABLE		SD-502386-002		1 OF 2
	THIS DRAWING CONTAINS INFORMATION THAT IS PROPRIETARY TO MOLEX INCORPORATED AND SHOULD NOT BE USED WITHOUT WRITTEN PERMISSION						

10 9 8 7 6 5 4 3 2 1

F

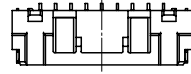


8 CKT.

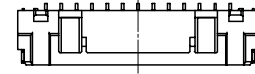


12 CKT.

E

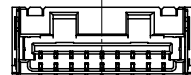


9 CKT.

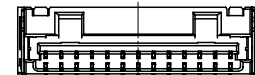


13 CKT.

D

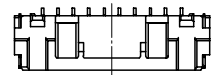


10 CKT.



14 CKT.

C

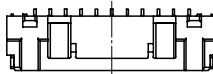


11 CKT.



15 CKT.

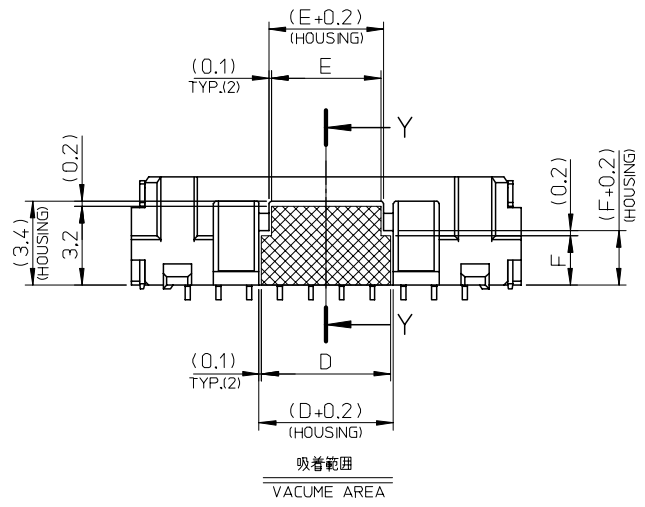
B



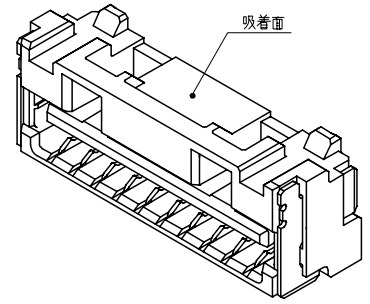
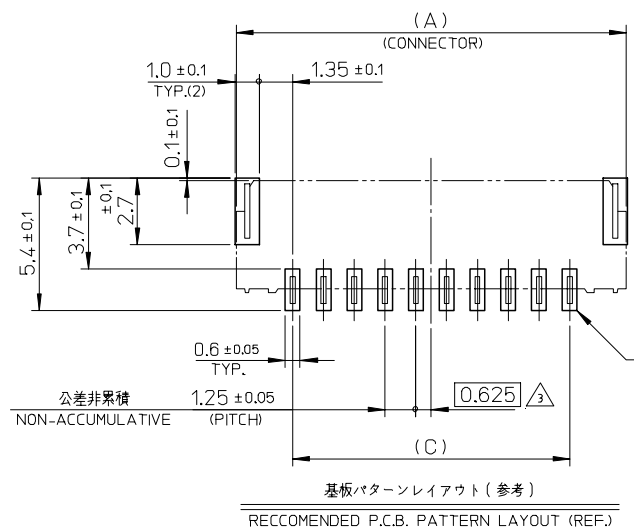
A



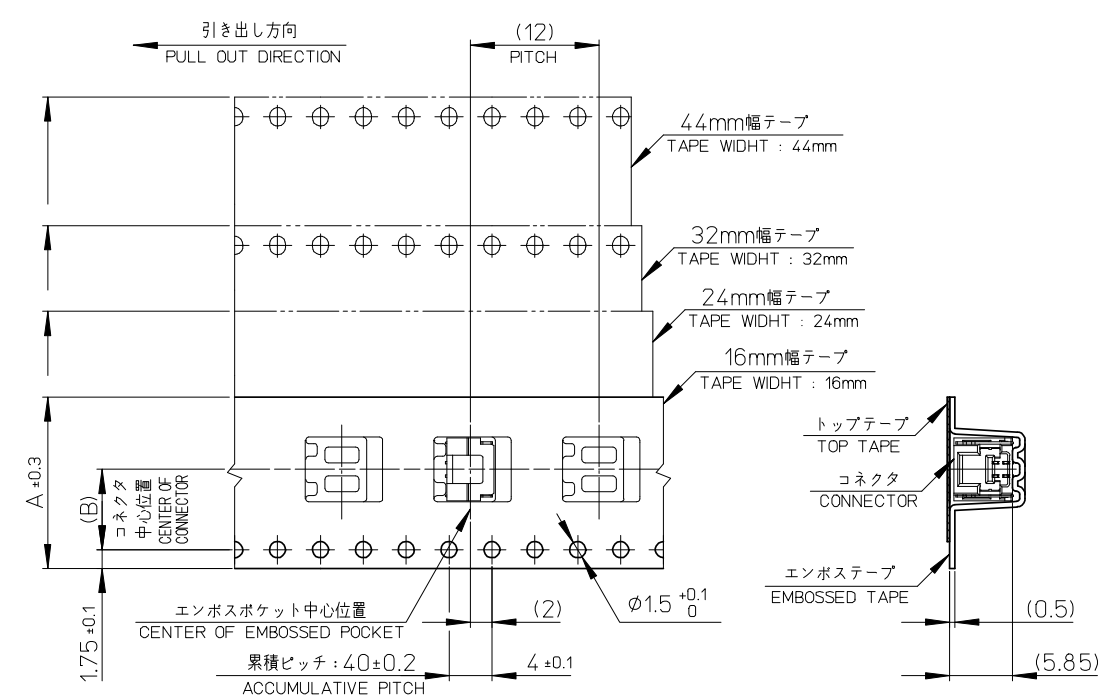
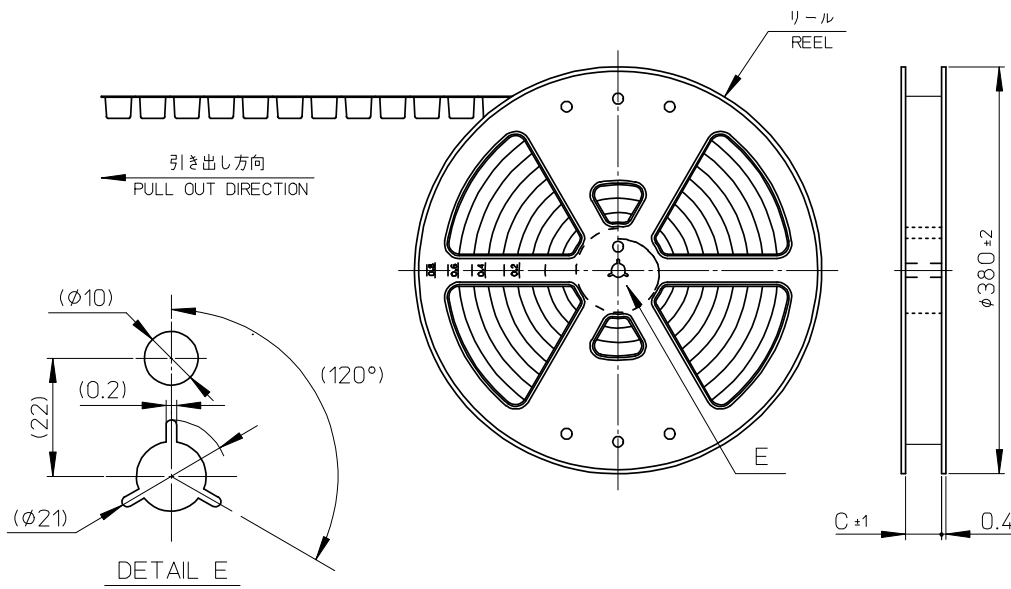
極数の種類
KIND OF CKT. NO. (FRONT VIEW)



SECTION Y-Y

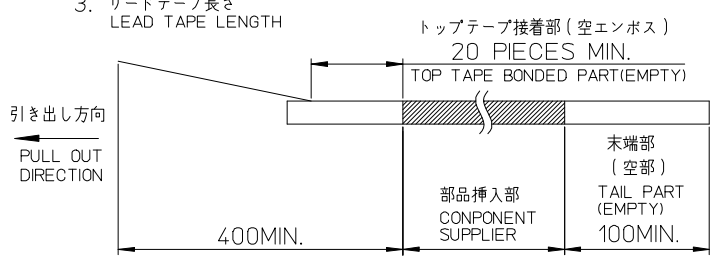


REVISED EC NO: J2008-0004 2007/10/29 DR: WANNI SHI CHKDK: ASAKAWA 2007/10/29 APPR: YOITO 2007/10/29	GENERAL TOLERANCES (UNLESS SPECIFIED)		DIMENSION STYLE MM ONLY		SCALE 5:1	DESIGN UNITS METRIC	THIRD ANGLE PROJECTION	
	10 UNDER	± 0.2	DRAWN BY T. MIYAZAKI	DATE 2006/08/28	TITLE 1.25 W/B CONN. SINGLE R/A REC. ASS'Y 8-15CKT. -LEAD FREE-			
	10 OVER 30 UNDER	± 0.25	CHECKED BY K. ASAKAWA	DATE 2006/08/28	MOLEX INCORPORATED			
	30 OVER	± 0.3	APPROVED BY YO. ITO	DATE 2006/08/28	DOCUMENT NO. SD-502386-002			
	ANGULAR	± 3 °	MATERIAL NO. SEE TABLE		SHEET NO. 2 OF 2			
DRAFT WHERE APPLICABLE MUST REMAIN WITHIN DIMENSIONS		THIS DRAWING CONTAINS INFORMATION THAT IS PROPRIETARY TO MOLEX INCORPORATED AND SHOULD NOT BE USED WITHOUT WRITTEN PERMISSION						



NOTES

- 製品詳細寸法については、SD-502386-001, -002 を参照下さい。
PLEASE REFER TO SD-502386-001, -002 FOR THE DETAILED DIMENSION OF THE CONNECTOR.
- 梱包数量 : 1200個
NUMBER OF CONNECTIONS : 1200 PIECES/REEL.
- リードテープ長さ
LEAD TAPE LENGTH



- 材料
MATERIAL
キャリアテープ : ポリスチレン
CARRIER TAPE : POLYSTYRENE
トップテープ : ポリエステル, ポリエチレン, ポリエチレンテレフタレート
TOP TAPE : POLYESTER, POLYETHYLENE, POLYETHYLENE TEREPHTHALATE
リール : ポリスチレン <リサイクル材を含む>
REEL : POLYSTYRENE <RECYCLE MATERIAL CONTAINED>
- ELV 及び RoHS 適合品
ELV AND RoHS COMPLIANT

45.5	20.2	44	—	—	502386-1509	502386-1570	502386-**7*	15	
45.5	20.2	44	—	—	502386-1409	502386-1470		14	
33.5	14.2	32	—	—	502386-1309	502386-1370		13	
33.5	14.2	32	—	—	502386-1209	502386-1270		12	
33.5	14.2	32	—	—	502386-1109	502386-1170		11	
33.5	14.2	32	—	—	502386-1009	502386-1070		10	
25.5	11.5	24	—	—	502386-0909	502386-0970		9	
25.5	11.5	24	—	—	502386-0809	502386-0870		8	
25.5	11.5	24	502386-0708	502386-0772	502386-0709	502386-0770		7	
25.5	11.5	24	502386-0608	502386-0672	502386-0609	502386-0670		6	
25.5	11.5	24	502386-0508	502386-0572	502386-0509	502386-0570		5	
25.5	11.5	24	502386-0408	502386-0472	502386-0409	502386-0470		4	
17.5	7.5	16	502386-0308	502386-0372	502386-0309	502386-0370		3	
17.5	7.5	16	502386-0208	502386-0272	502386-0209	502386-0270		2	
C	B	エンボステープ幅 A WIDTH OF TAPE	コネクタ CONNECTOR	製品番号 MATERIAL NO.	コネクタ CONNECTOR	製品番号 MATERIAL NO.		モデル番号 MODEL NO.	極数 (KT. NO.)
				WITH CAPTON TAPE		WITHOUT CAPTON TAPE			

REVISED EC NO: J2008-3866 DRW:KASETO 2008/05/12 CHK:KASAKAWA 2008/05/12 APPR: SICHIKAWA 2008/05/12	GENERAL TOLERANCES (UNLESS SPECIFIED)		DIMENSION STYLE MM ONLY		SCALE ---	DESIGN UNITS METRIC	THIRD ANGLE PROJECTION	
	10 UNDER	±0.2	DRAWN BY T. MIYAZAKI	DATE 2006/10/16	TITLE 1.25 W/B CONN. SINGLE R/A REC. EMBTP PKG			
	10 OVER 30 UNDER	±0.25	CHECKED BY K. ASAKAWA	DATE 2006/10/16	APPROVED BY YO. ITO			
	30 OVER	±0.3	MATERIAL NO. SEE TABLE		DOCUMENT NO. SD-502386-003		SHEET NO. 1 OF 1	
	DRAFT WHERE APPLICABLE MUST REMAIN WITHIN DIMENSIONS		THIS DRAWING CONTAINS INFORMATION THAT IS PROPRIETARY TO MOLEX INCORPORATED AND SHOULD NOT BE USED WITHOUT WRITTEN PERMISSION					