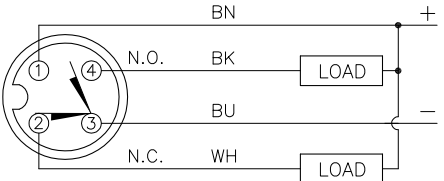
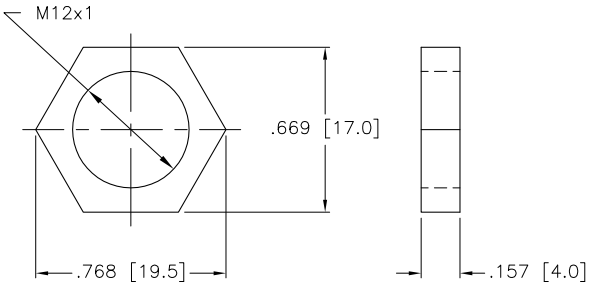
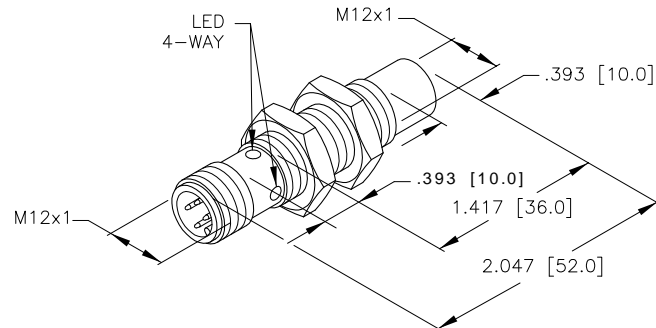


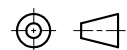

WIRING DIAGRAM	LOCKNUT LN-M12	SPECIFICATIONS	
 <p>OUTPUT: VN6X</p>		OPERATING VOLTAGE	10-30 V DC (SHORT-CIRCUIT PROTECTED)
		RIPPLE	≤ 10%
		HYSTERESIS (DIFFERENTIAL TRAVEL)	3-15% (5% TYPICAL)
		VOLTAGE DROP ACROSS CONDUCTING SENSOR	≤ 1.8 V at 200 mA
		OUTPUT FUNCTION	COMPLEMENTARY OUTPUT ONE N.O., ONE N.C. (SPDT)
		TTL COMPATIBLE	NO
		SHORT-CIRCUIT PROTECTED	YES
		TRIGGER CURRENT FOR OVERLOAD PROTECTION	≥ 220 mA
		CONTINUOUS LOAD CURRENT	≤ 200 mA



OFF-STATE (LEAKAGE) CURRENT	< 10 $\mu$ A
NO-LOAD CURRENT	5.5-9.5 mA
TIME DELAY BEFORE AVAILABILITY	≤ 8 ms
POWER-ON EFFECT	Per IEC 947-5-2
REVERSE POLARITY PROTECTION	INCORPORATED
WIRE-BREAK PROTECTION	INCORPORATED
TRANSIENT PROTECTION	Per EN 60947-5-2
OPERATING TEMPERATURE	-25°C to +70°C (-13°F to +158°F)
ENCLOSURE	MEETS NEMA 1, 3, 4, 6, 13 AND IEC IP67
SHOCK	30 g, 11 ms
VIBRATION	55 Hz, 1 mm AMPLITUDE (IN ALL 3 PLANES)
LED FUNCTION	YELLOW: OUTPUT ENERGIZED
RATED OPERATING DISTANCE(Sn)	4mm = 0.158" (NOMINAL)
SWITCHING FREQUENCY	2000 Hz
REPEATABILITY	≤ 2% of RATED OPERATING DISTANCE
SHIELDED	NO

SOURCE DRAWING - FOR REFERENCE ONLY

NOTE: ALL TOLERANCES ±1.0 mm.

RELATED DOCUMENTS 1. 2. 3. 4.	3RD ANGLE PROJECTION 	THIS DRAWING IS PROPERTY OF TURCK INC. USE OF THIS DOCUMENT WITHOUT WRITTEN PERMISSION IS PROHIBITED.	 High Technology Sensors and Automation Controls 3000 CAMPUS DRIVE MINNEAPOLIS, MN 55441 1-800-544-7769 (763) 553-7300 (763) 553-0708 fax turck.com	
MATERIAL	ALL DIMENSIONS DISPLAYED ON THIS DRAWING ARE FOR REFERENCE ONLY	DRFT IK	DATE 11/12/98	DESCRIPTION Ni 4-M12-VN6X-H1141
FINISH	CONTACT TURCK FOR MORE INFORMATION	DSGN	SCALE 1=1.5	
		UNIT OF MEASUREMENT <b>INCH [ MILLIMETER ]</b>		IDENTIFICATION NO. T1643100
		DO NOT SCALE THIS DRAWING		REV B
				FILE: T1643100
				SHEET 1 OF 1

B	MODIFY DRAWING	IK	03/09/00	T3437
REV	DESCRIPTION	BY	DATE	ECO NO.