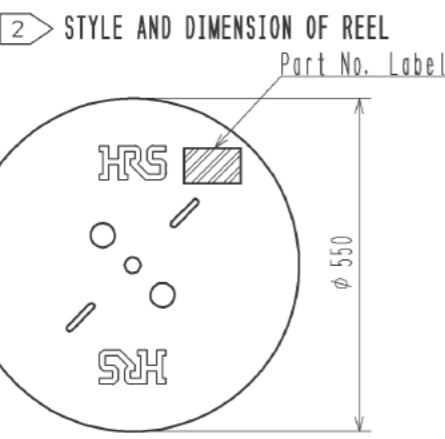
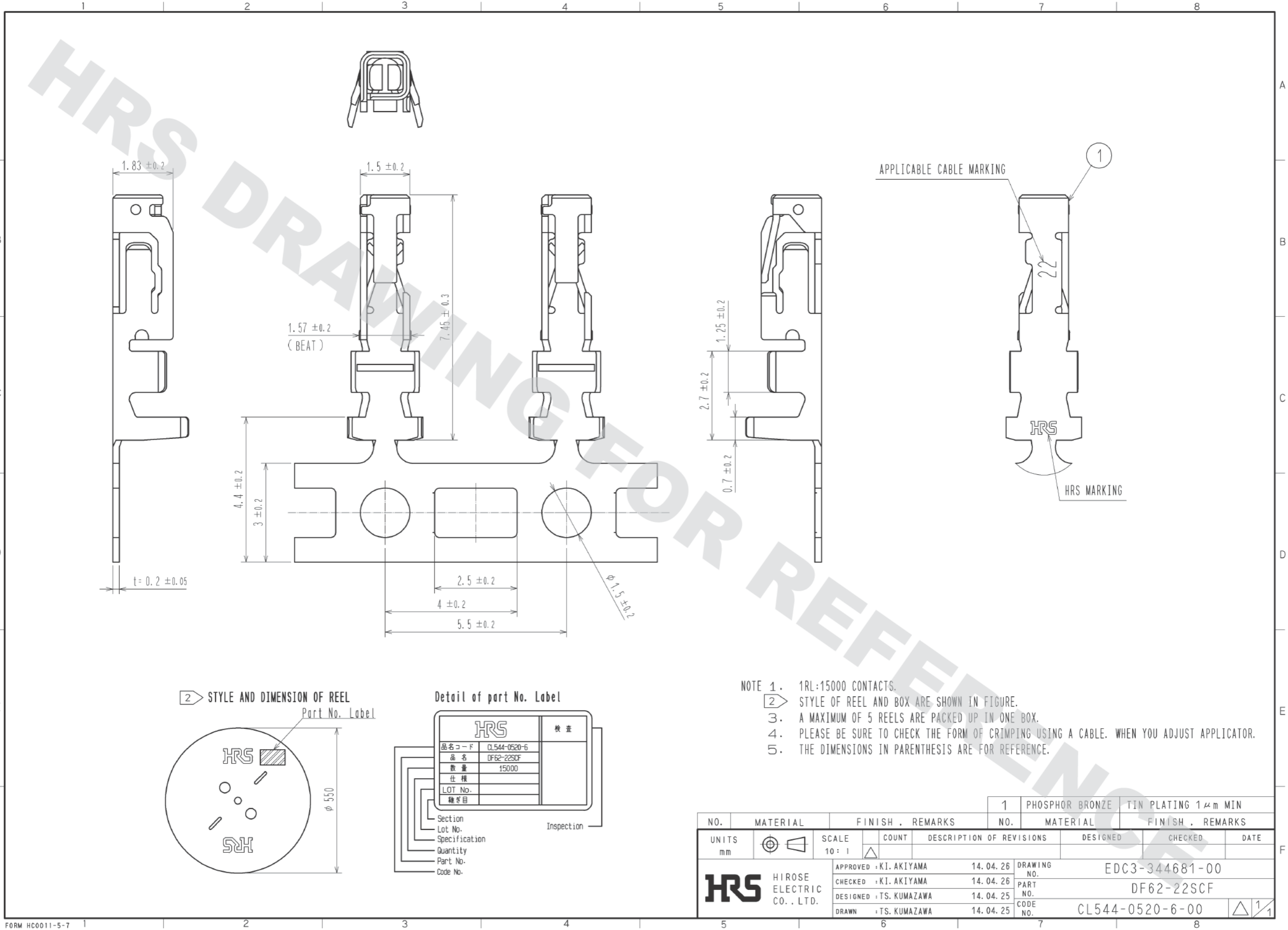


DRAWING FOR REFERENCE: This is subject to change without notice
05/31/2014



Detail of part No. Label

HRS		検査
品名コード	CL544-0520-6	
品名	DF62-22SCF	
数量	15000	
仕様		
LOT No.		
継ぎ目		

Section
Lot No.
Specification
Quantity
Part No.
Code No.

Inspection

- NOTE 1. 1RL:15000 CONTACTS.
 2. STYLE OF REEL AND BOX ARE SHOWN IN FIGURE.
 3. A MAXIMUM OF 5 REELS ARE PACKED UP IN ONE BOX.
 4. PLEASE BE SURE TO CHECK THE FORM OF CRIMPING USING A CABLE. WHEN YOU ADJUST APPLICATOR.
 5. THE DIMENSIONS IN PARENTHESIS ARE FOR REFERENCE.

NO.	MATERIAL	FINISH . REMARKS	NO.	MATERIAL	FINISH . REMARKS
			1	PHOSPHOR BRONZE	TIN PLATING 1 μ m MIN

UNITS	SCALE	COUNT	DESCRIPTION OF REVISIONS	DESIGNED	CHECKED	DATE
mm	10:1	\triangle				
APPROVED : KI. AKIYAMA			14. 04. 26	DRAWING NO. EDC3-344681-00		
CHECKED : KI. AKIYAMA			14. 04. 26	PART NO. DF62-22SCF		
DESIGNED : TS. KUMAZAWA			14. 04. 25	CODE NO. CL544-0520-6-00		
DRAWN : TS. KUMAZAWA			14. 04. 25			

HRS HIROSE ELECTRIC CO., LTD.

\triangle 1/1