

**Ordering number FA11905\_TINA3-S**

Family	Tina3	FWHM	18.5 degrees
Type	Assembly	Efficiency	82 %
LED	LUXEON Rebel ES	cd/lm	6.900
Color	White	Gerber File	Available
Diameter	16.1 mm		
Height	11.4 mm		
Style	Round		
Optic Material	PMMA		
Holder Material	PC		
Fastening	Pin, tape		
Status	Ready		

**Ordering number CA13100\_TINA3-W**

Family	Tina3	FWHM	40 degrees
Type	Assembly	Efficiency	91 %
LED	LUXEON Rebel ES	cd/lm	1.600
Color	White	Gerber File	Available
Diameter	16.1 mm		
Height	6.8 mm		
Style	Round		
Optic Material	PMMA		
Holder Material	PC		
Fastening	Tape		
Status	Ready		

**Ordering number FA11824\_TINA3-W**

Family	Tina3	FWHM	45 degrees
Type	Assembly	Efficiency	91 %
LED	LUXEON Rebel ES	cd/lm	1.290
Color	White	Gerber File	Available
Diameter	16.1 mm		
Height	6.9 mm		
Style	Round		
Optic Material	PMMA		
Holder Material	PC		
Fastening	Pin, tape		
Status	Ready		

**Ordering number CA13180\_TINA3-OO**

Family	Tina3	FWHM	57+40 degrees
Type	Assembly	Efficiency	91 %
LED	LUXEON Rebel ES	cd/lm	1.100
Color	White	Gerber File	Available
Diameter	16.1 mm		
Height	6.8 mm		
Style	Round		
Optic Material	PMMA		
Holder Material	PC		
Fastening	Tape		
Status	Ready		


**Ordering number FA11870\_TINA3-OO**

Family	Tina3	FWHM	60+46 degrees
Type	Assembly	Efficiency	92 %
LED	LUXEON Rebel ES	cd/lm	1.010
Color	White	Gerber File	Available
Diameter	16.3 mm		
Height	6.9 mm		
Style	Round		
Optic Material	PMMA		
Holder Material	PC		
Fastening	Pin, tape		
Status	Ready		


**Ordering number CA13178\_TINA3-WW**

Family	Tina3	FWHM	61 degrees
Type	Assembly	Efficiency	91 %
LED	LUXEON Rebel ES	cd/lm	0.900
Color	White	Gerber File	Available
Diameter	16.1 mm		
Height	6.8 mm		
Style	Round		
Optic Material	PMMA		
Holder Material	PC		
Fastening	Tape		
Status	Ready		


**Ordering number FA11825\_TINA3-WW**

Family	Tina3	FWHM	62 degrees
Type	Assembly	Efficiency	92 %
LED	LUXEON Rebel ES	cd/lm	0.800
Color	White	Gerber File	Available
Diameter	16.1 mm		
Height	6.9 mm		
Style	Round		
Optic Material	PMMA		
Holder Material	PC		
Fastening	Pin, tape		
Status	Ready		


**Ordering number CA13179\_TINA3-WWW**

Family	Tina3	FWHM	74 degrees
Type	Assembly	Efficiency	89 %
LED	LUXEON Rebel ES	cd/lm	0.600
Color	White	Gerber File	Available
Diameter	16.1 mm		
Height	6.8 mm		
Style	Round		
Optic Material	PMMA		
Holder Material	PC		
Fastening	Tape		
Status	Ready		

**Ordering number FA11826\_TINA3-WWW**

Family	Tina3	FWHM	80 degrees
Type	Assembly	Efficiency	91 %
LED	LUXEON Rebel ES	cd/lm	0.460
Color	White	Gerber File	Available
Diameter	16.1 mm		
Height	6.9 mm		
Style	Round		
Optic Material	PMMA		
Holder Material	PC		
Fastening	Pin, tape		
Status	Ready		

**NOTE: The typical divergence will be changed by different color, chip size and chip position tolerance. The typical total divergence is the full angle measured where the luminous intensity is half of the peak value.**



## PRODUCT DATASHEET

### Tina3 series

last update 9/4/2013

PHILIPS  
LUMILEDS

#### GENERAL INFORMATION

- Product series especially designed & optimized for LUXEON Rebel ES series of LEDs.
- Special care taken to make light distribution as uniform as possible.
- Lens material optical grade PMMA with high UV and temperature resistance. Allows use of high current and temperature conditions.

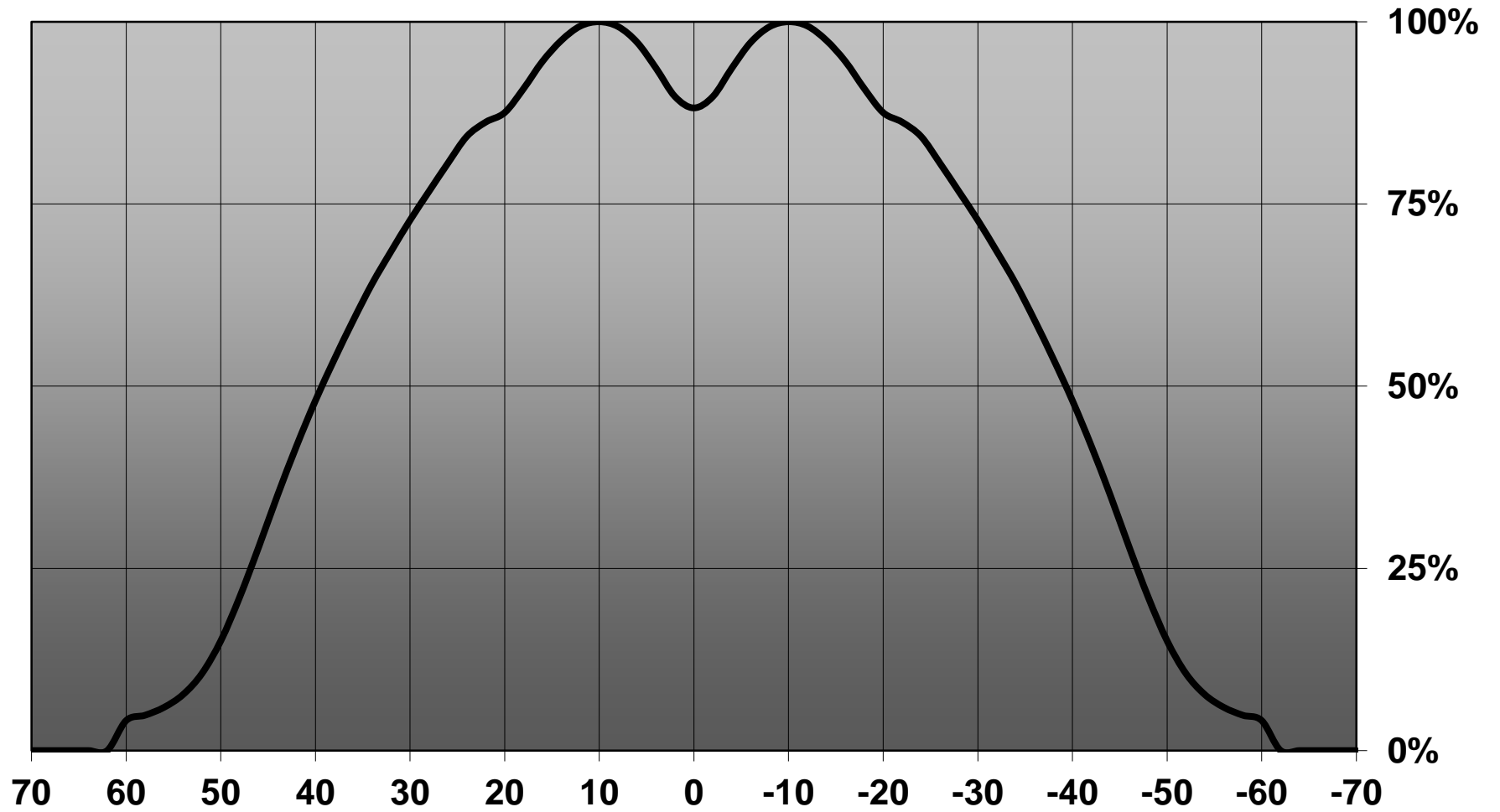
Please find more information about used material from below:

[http://ledil.fi/sites/default/files/Documents/Technical/Material/PMMA%20N%20UL94\\_Yellow%20Card.pdf](http://ledil.fi/sites/default/files/Documents/Technical/Material/PMMA%20N%20UL94_Yellow%20Card.pdf)

<http://ledil.fi/sites/default/files/Documents/Technical/Material/PMMA%20N%20PLEXIGLAS-Datasheet.pdf>

- Optic holder molded by high quality PC material (120 degrees of Celcius / 248 degrees of Fahrenheit).

Relative intensity of FA11826\_Tina3-WWW-XP-G



D

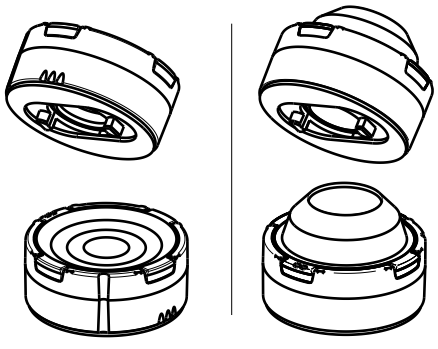
C

B

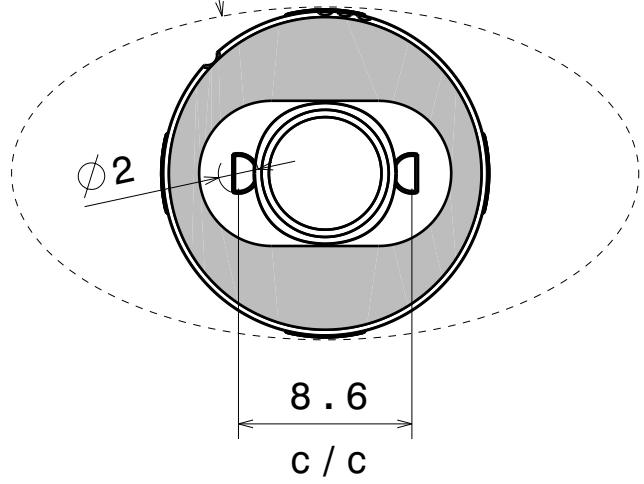
A

4

4

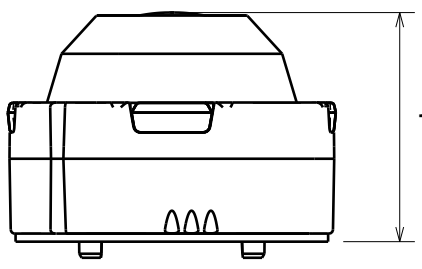


Oval beam direction



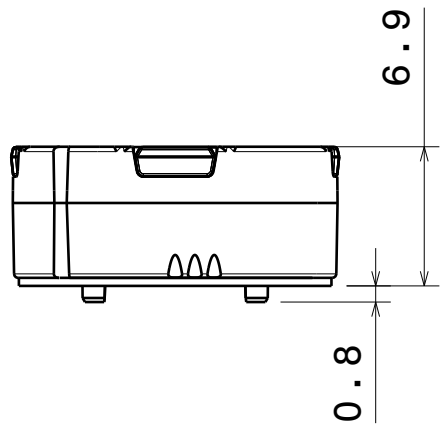
3

3



11.4

Spot version height

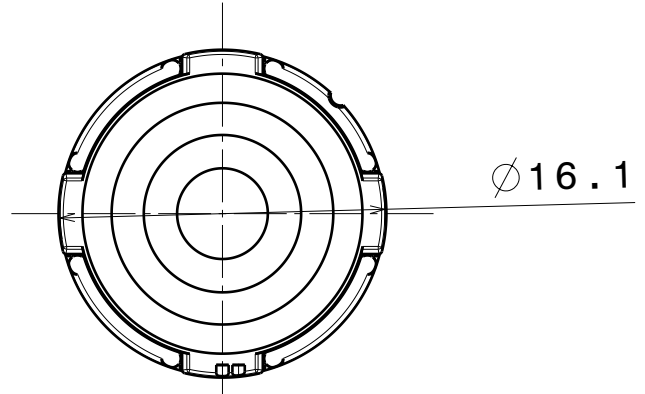


6.9

0.8

2

2



Top view

Tolerances if not otherwise shown  
 According to DIN ISO 2768-1  
 Linear measures:  
 Up to 30mm class F, otherwise class M.  
 According to DIN ISO 2768-2  
 Form and position: class K

**LEDiL** LediL Oy  
 Salorankatu 10  
 FIN 24240 SALO  
 Finland

THIRD ANGLE PROJECTION:

DRAWING TITLE  
**TINA3 Datasheet**

This drawing is the property of LEDiL Oy. It may not be reproduced, copied or communicated without a written agreement with LEDiL Oy."

SIZE PART NUMBER  
**A4** -

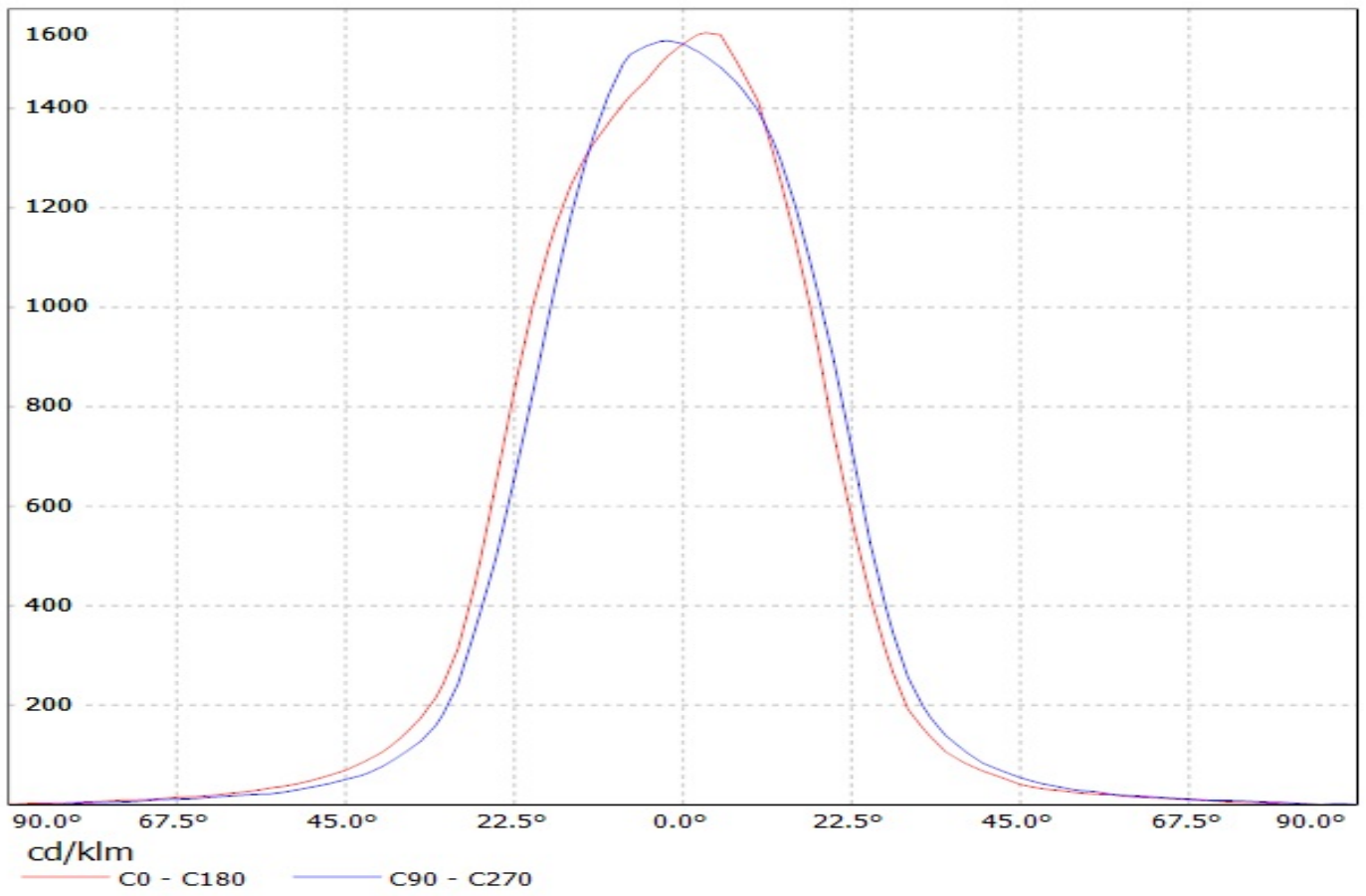
SCALE 4:3 WEIGHT - SHEET 1/1

D

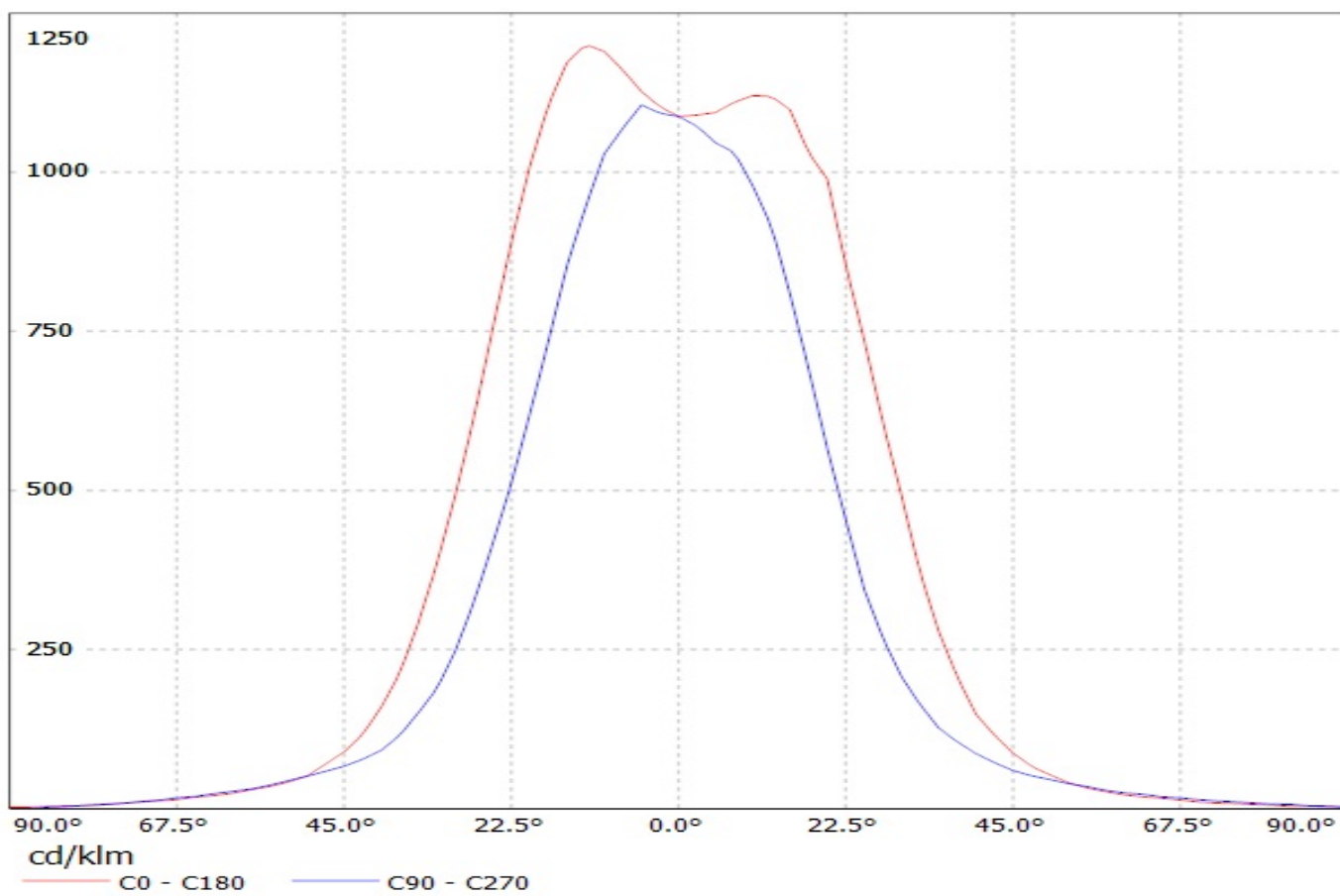
A

1

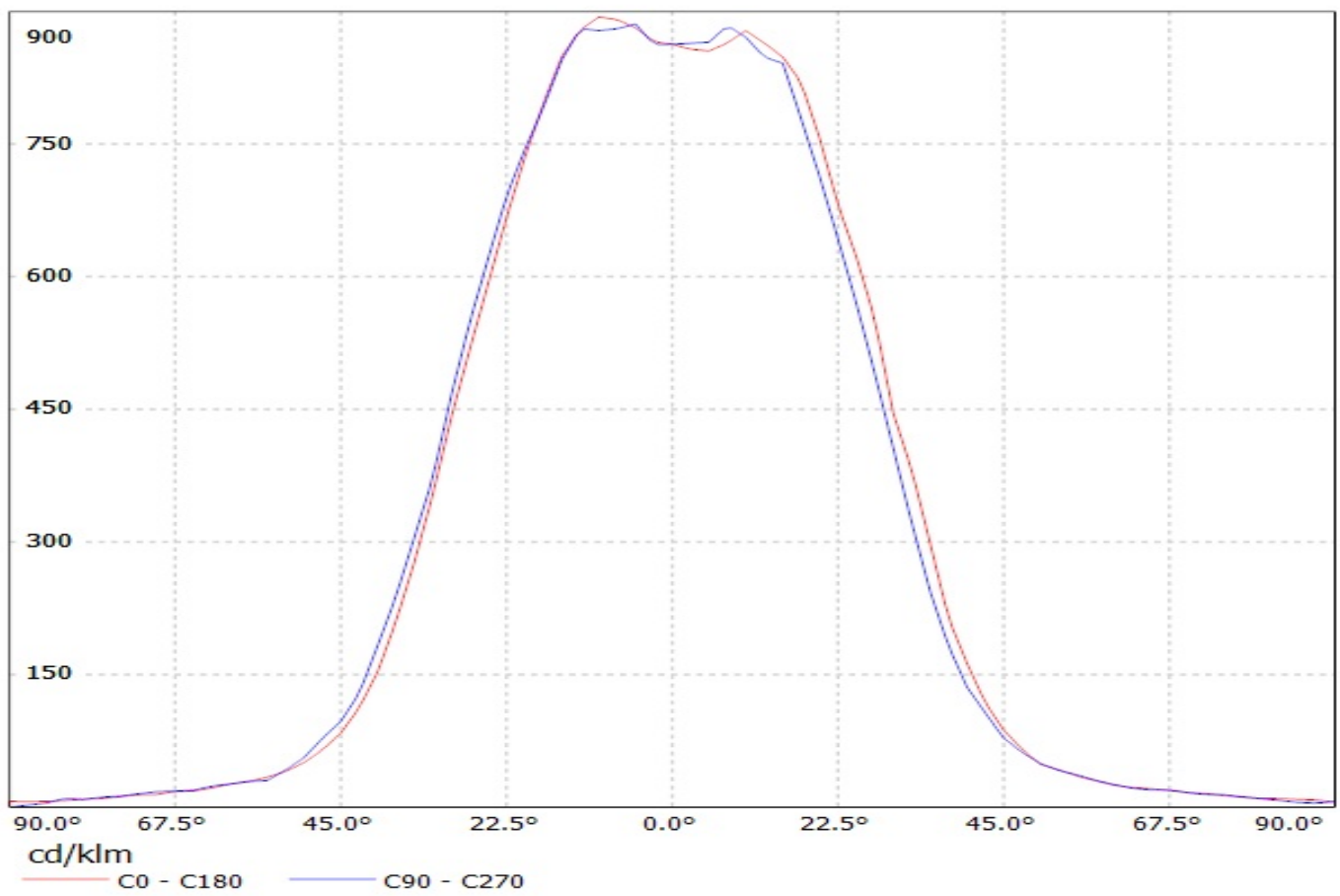
Luminaire: Ledil Oy CA13100\_TINA3-W (Luxeon RE-ES 92lm @ 250mA) Efficiency=91%  
Lamps: 1 x Luxeon RE-ES 92lm @ 250mA



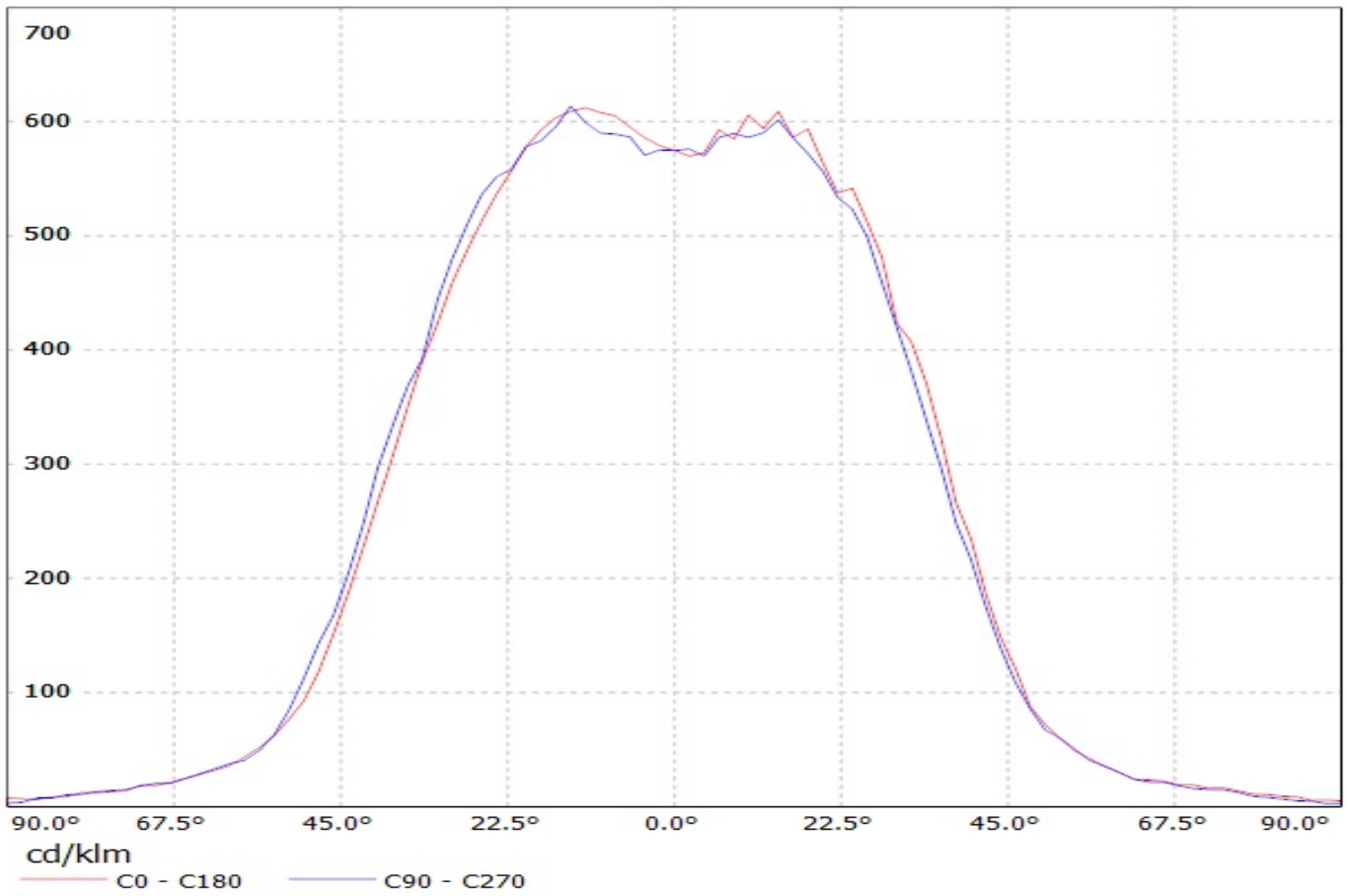
Luminaire: Ledil Oy CA13180\_TINA3-00 (Luxeon Rebel-ES 92lm @ 250mA) Efficiency=91%  
Lamps: 1 x Luxeon Rebel-ES 92lm @ 250mA



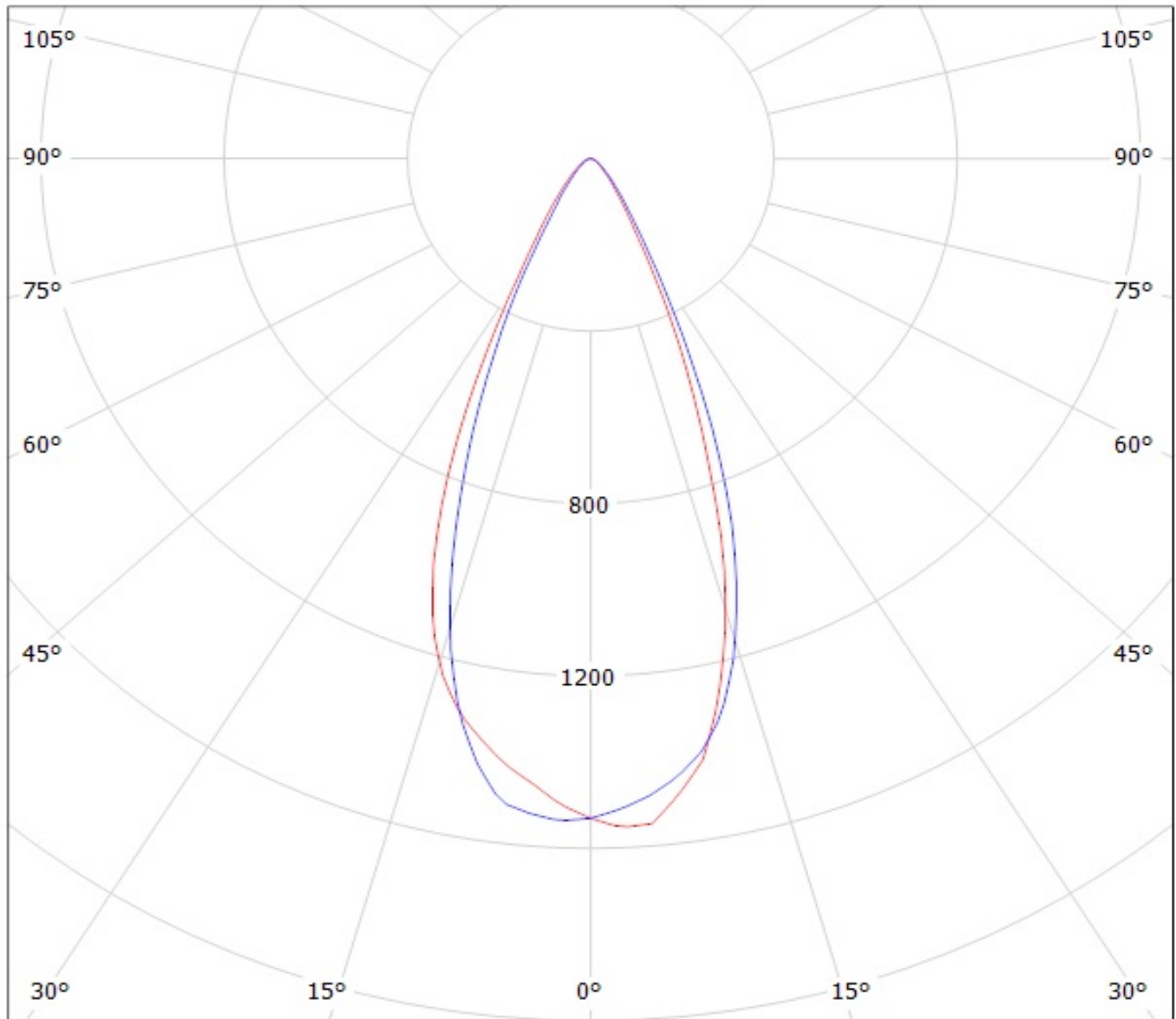
Luminaire: Ledil oy CA13178\_TINA3-WW (Luxeon Rebel-ES 92lm @ 250mA) Efficiency=91%  
Lamps: 1 x Luxeon Rebel-ES 92lm @ 250mA



Luminaire: LEDiL Oy CA13179\_TINA3-WWW (Luxeon Rebel-ES 92lm @ 250mA) Efficiency=89%  
Lamps: 1 x Luxeon Rebel-ES 92lm @ 250mA



Luminaire: Ledil Oy CA13100\_TINA3-W (Luxeon RE-ES 92lm @ 250mA) Efficiency=91%  
Lamps: 1 x Luxeon RE-ES 92lm @ 250mA

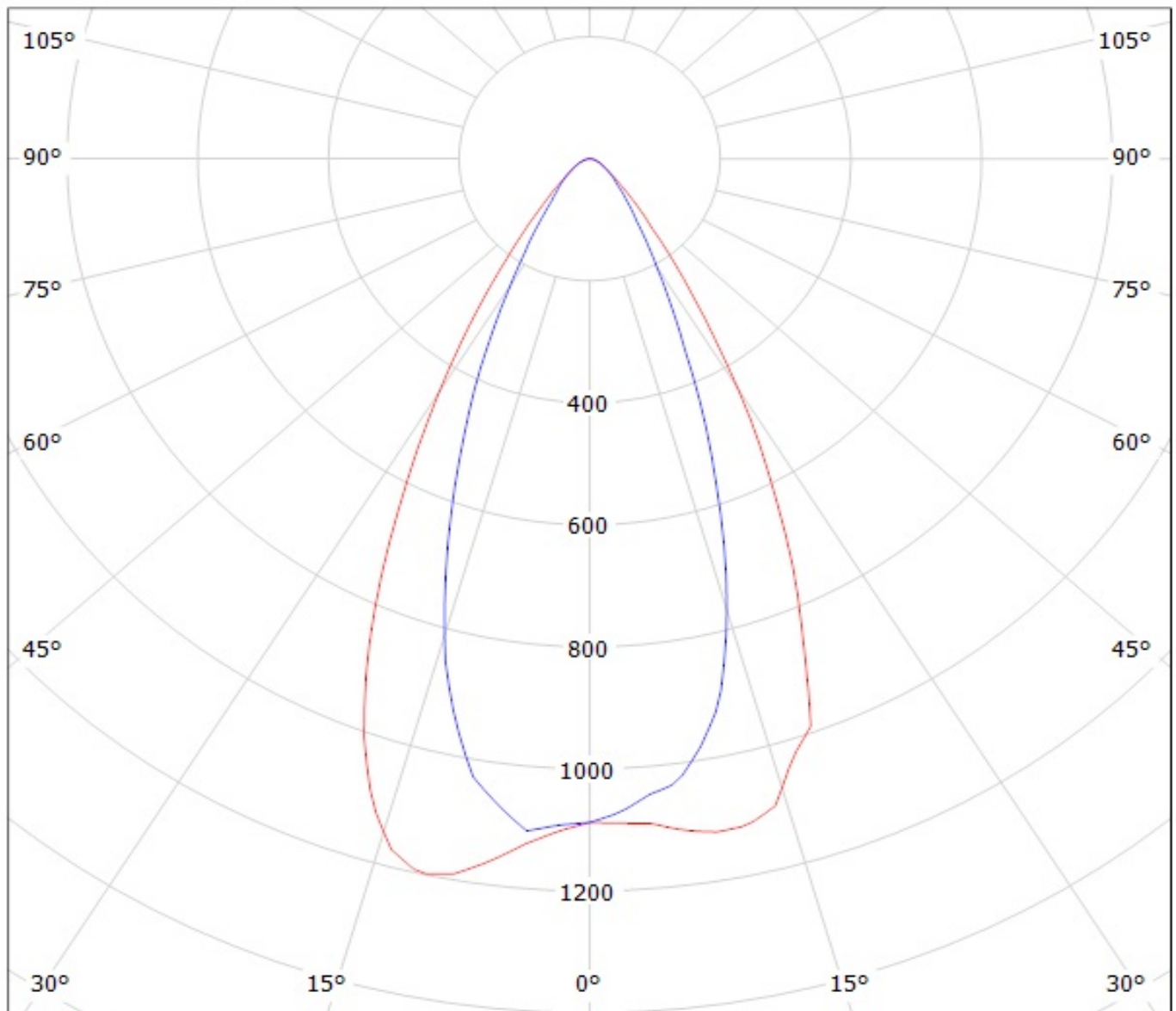


cd/klm

— C0 - C180

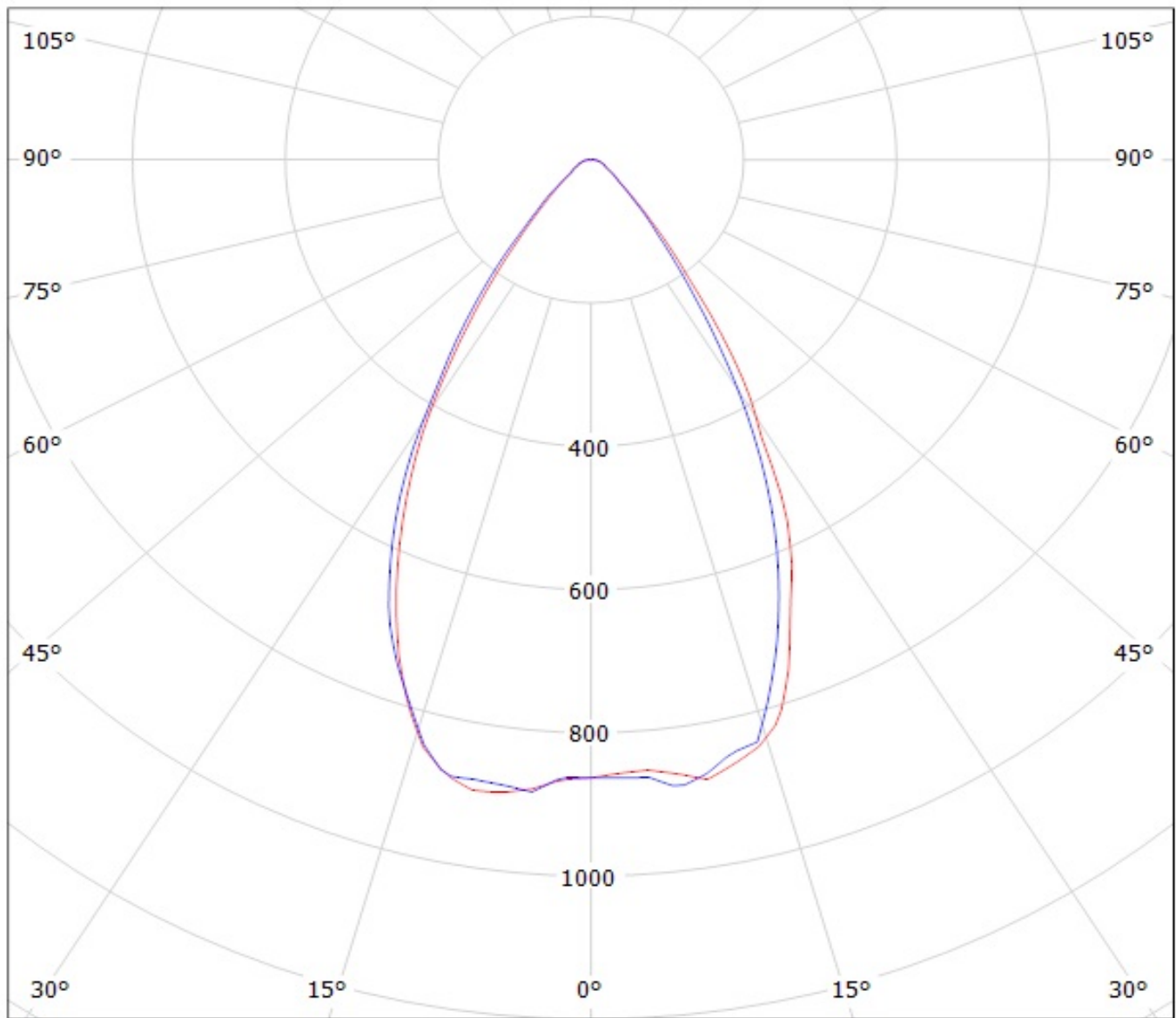
— C90 - C270

Luminaire: Ledil Oy CA13180\_TINA3-00 (Luxeon Rebel-ES 92lm @ 250mA) Efficiency=91%  
Lamps: 1 x Luxeon Rebel-ES 92lm @ 250mA



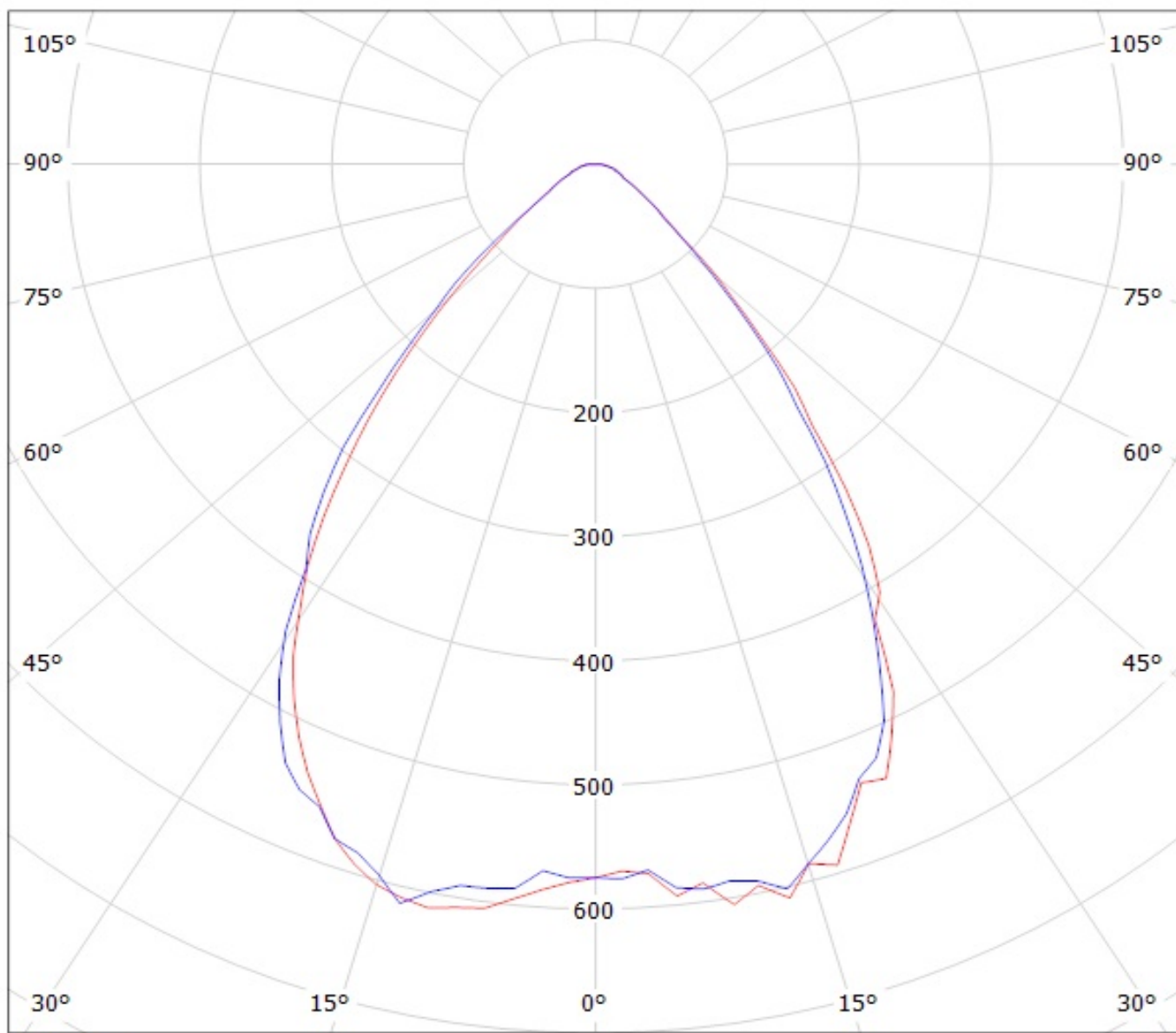
cd/klm  
— C0 - C180    — C90 - C270

Luminaire: Ledil oy CA13178\_TINA3-WW (Luxeon Rebel-ES 92lm @ 250mA) Efficiency=91%  
Lamps: 1 x Luxeon Rebel-ES 92lm @ 250mA



cd/klm  
— C0 - C180    — C90 - C270

Luminaire: LEDiL Oy CA13179\_TINA3-WWW (Luxeon Rebel-ES 92lm @ 250mA) Efficiency=89%  
Lamps: 1 x Luxeon Rebel-ES 92lm @ 250mA



cd/klm

— C0 - C180

— C90 - C270