



ENCLOSURE FOR COMMAND DEVICES, 22MM, ROUND, ENCLOSURE MATERIAL METAL, ENCLOSURE TOP PART GRAY, 3 COMMAND POINTS, UNEQUIPPED, RECESS FOR LABELS, BASE MOUNTING, TOP AND BOTTOM 1 X M20 EACH

Figure similar

product brand name		SIRIUS ACT
Product designation		Commanding and signaling devices
Design of the product		Surface-mounted housing

**Enclosure:**

<b>Design of the housing</b>		with recess for label
<b>Shape of the enclosure front</b>		rectangular
<b>Material of the enclosure</b>		metal
<b>Number of control points</b>		3
<b>Product component</b>		
• protective collar		No
<b>Color</b>		
• of top part of the enclosure		grey
<b>Mounting type of the enclosure</b>		Vertical / horizontal

**Installation/ mounting/ dimensions:**

<b>Height</b>	mm	154
<b>Width</b>	mm	85
<b>Depth</b>	mm	63.8
<b>Mounting diameter</b>	mm	22

**Certificates/ approvals:**

**Further information**

**Information- and Downloadcenter (Catalogs, Brochures,...)**

<http://www.siemens.com/industrial-controls/catalogs>

**Industry Mall (Online ordering system)**

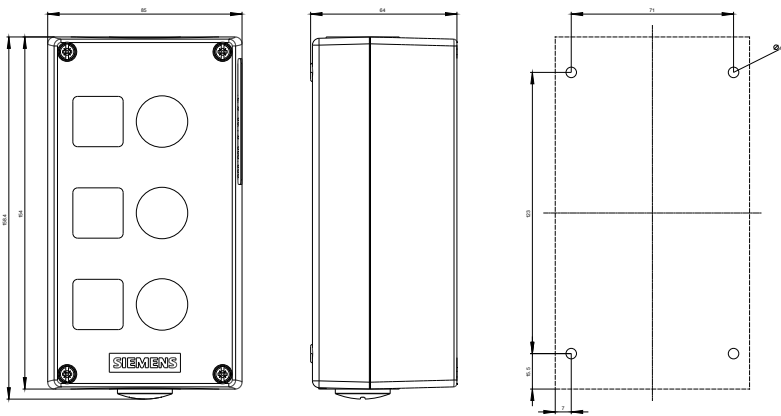
<http://www.siemens.com/industrymall>

**Cax online generator**

<http://support.automation.siemens.com/WW/CAXorder/default.aspx?lang=en&mlfb=3SU18530AA000AB1>

Service&Support (Manuals, Certificates, Characteristics, FAQs,...)  
<http://support.automation.siemens.com/WW/view/en/3SU18530AA000AB1/all>

Image database (product images, 2D dimension drawings, 3D models, device circuit diagrams, EPLAN macros, ...)  
[http://www.automation.siemens.com/bilddb/cax\\_de.aspx?mlfb=3SU18530AA000AB1&lang=en](http://www.automation.siemens.com/bilddb/cax_de.aspx?mlfb=3SU18530AA000AB1&lang=en)



last modified:

09.03.2015