

**Ordering number CA12787_STRADA-K**

Family	Strada-K	FWHM	Asym degrees
Type	Assembly	Efficiency	94 %
LED	LUXEON T	cd/lm	1.000
Color	Clear	Gerber File	Available
Diameter	19.6 + 15.5 mm		
Height	8.8 mm		
Style	Rectang		
Optic Material	PMMA		
Holder Material	-		
Fastening	Pin, tape		
Status	On production		

NOTE: The typical divergence will be changed by different color, chip size and chip position tolerance. The typical total divergence is the full angle measured where the luminous intensity is half of the peak value.



PRODUCT DATASHEET Strada-K series

last update 1/8/2013

PHILIPS
LUMILEDS

GENERAL INFORMATION

- Product series especially designed & optimized for LUXEON T series of LEDs.
- Special care taken to make light distribution as uniform as possible.
- Lens material optical grade PMMA with high UV and temperature resistance. Allows use of high current and temperature conditions.

Please find more information about used material from below:

http://ledil.fi/sites/default/files/Documents/Technical/Material/PMMA%20N%20UL94_Yellow%20Card.pdf

<http://ledil.fi/sites/default/files/Documents/Technical/Material/PMMA%20N%20PLEXIGLAS-Datasheet.pdf>

D

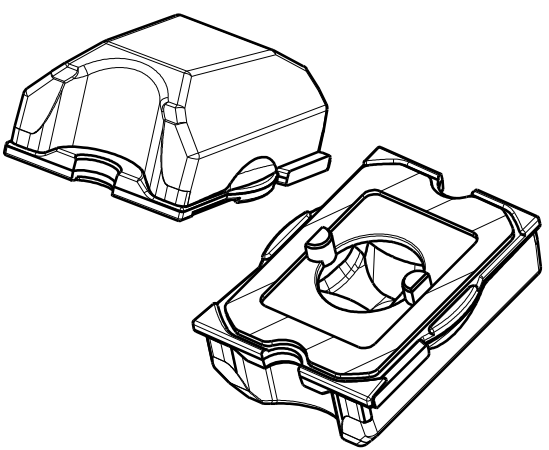
C

B

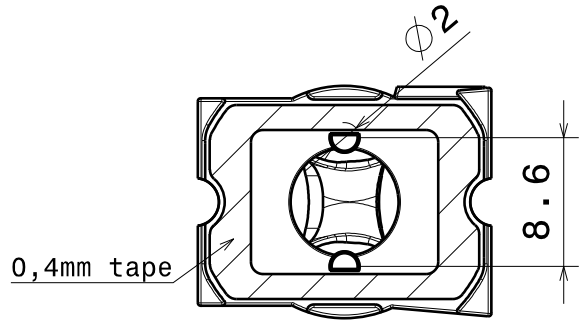
A

4

4



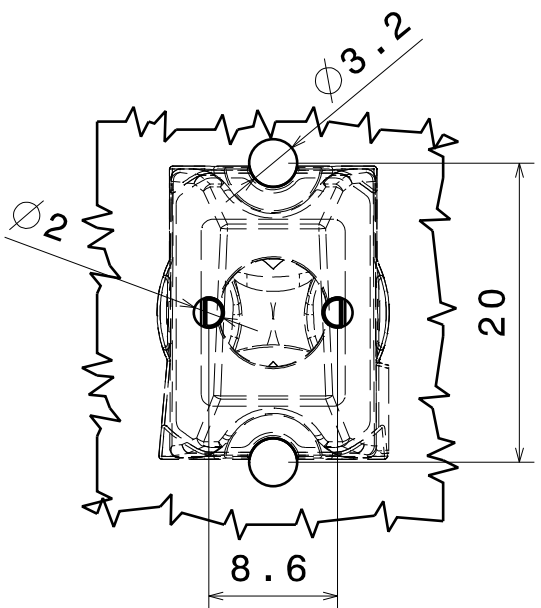
Isometric view



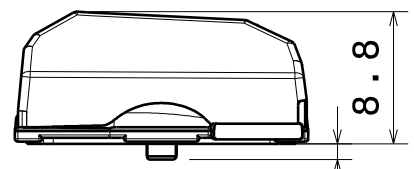
Bottom view

3

3



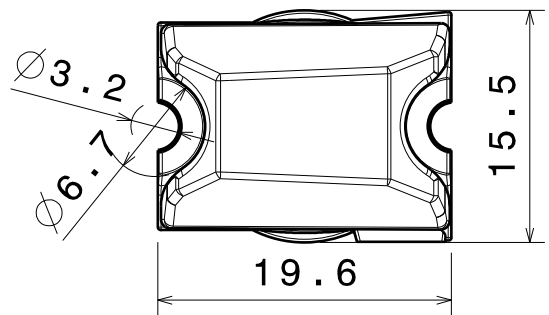
PCB- suggestion



Front view

2

2



Top view

Material: PMMA

Tolerances for dimensions:
 0-20mm tolerance value ± 0.1 mm
 21-45mm tolerance value ± 0.2 mm
 46-90mm tolerance value ± 0.3 mm
 91-100mm tolerance value ± 0.4 mm
 101-mm tolerance value ± 0.5 mm

This drawing is our property.
 It can't be reproduced
 or communicated without
 our written agreement.



Ledil Oy
 Salorankatu 10
 FIN 24240 SALO
 Finland

DRAWING TITLE

DRAWN BY
mav

DATE
18.04.2012

Datasheet STRADA-K

CHECKED BY
sn

DATE
18.04.2012

SIZE
A4

DRAWING NUMBER
CA12787

REV
1

DESIGNED BY
mav

DATE
06.03.2012

SCALE 1:1

WEIGHT (g)

SHEET 1/1

D

A

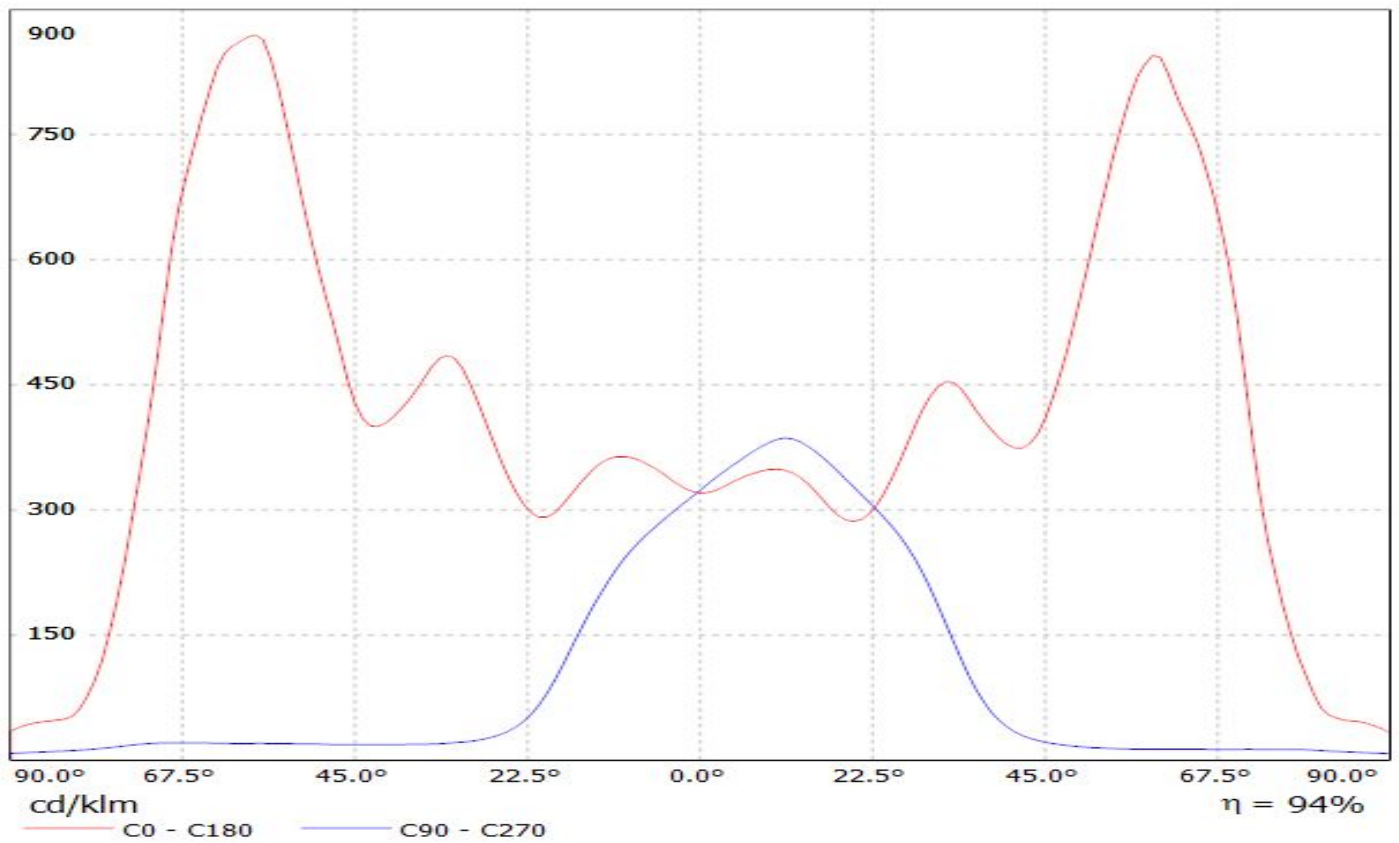
1

1

LEDiL Oy CA12787_STRADA-K_(LUXEON_T) Eff.94.0% / LDC (Linear)

Luminaire: LEDiL Oy CA12787_STRADA-K_(LUXEON_T) Eff.94.0%

Lamps: 1 x LUXEON_T_(LXH8-FW30-3)_74.11lm@250mA_CCT=3158K_P=0.730833W_I=249.9mA



LEDiL Oy CA12787_STRADA-K_(LUXEON_T) Eff.94.0% / LDC (Polar)

Luminaire: LEDiL Oy CA12787_STRADA-K_(LUXEON_T) Eff.94.0%

Lamps: 1 x LUXEON_T_(LXH8-FW30-3)_74.11lm@250mA_CCT=3158K_P=0.730833W_I=249.9mA

