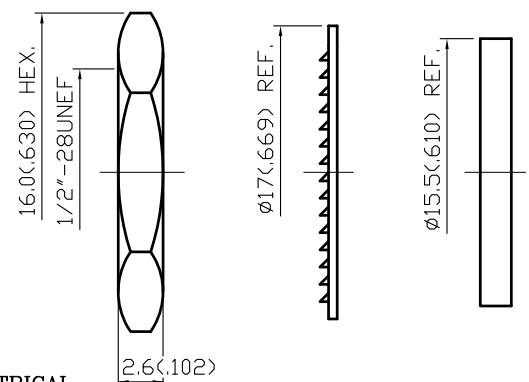


NO	DESCRIPTION	DATE
①	CHANGE THE DIRECTION OF HEX.	04.14.98'
②	BACKGROUND FORMAT UPDATED	09.08.03'
③	BACKGROUND FORMAT UPDATED	08.17.10'
④	WORKING VOLTAGE → VOLTAGE RATING DEL PROOF VOLTAGE 1.9→1.85; ADD 3.4 MAX. PANEL	02.25.13'



1.0 ELECTRICAL

- 1.1 FREQUENCY RANGE: DC-4 GHz
- 1.2 NOMINAL IMPEDANCE: 50 OHMS
- 1.3 VOLTAGE RATING: 500 VOLTS MAX. ④

2.0 MATERIALS

- 2.1 BODIES: BRASS PER JIS-C3604
- 2.2 CENTER CONTACT: BRASS PER JIS-C3604
- 2.3 INSULATION: TEFLON PER ASTM D1457 AND ASTM D1710
- 2.4 CRIMP FERRULE: BRASS PER JIS-C2700

3.0 FINISHES AND OTHERS

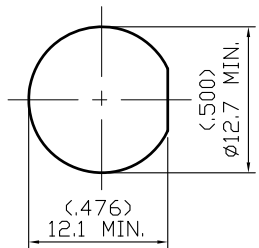
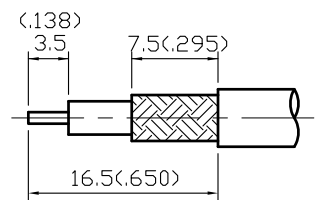
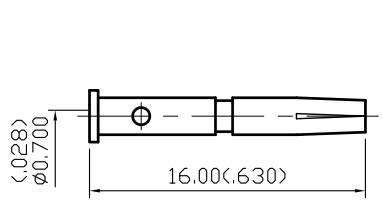
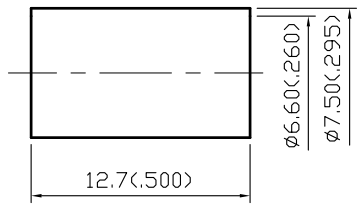
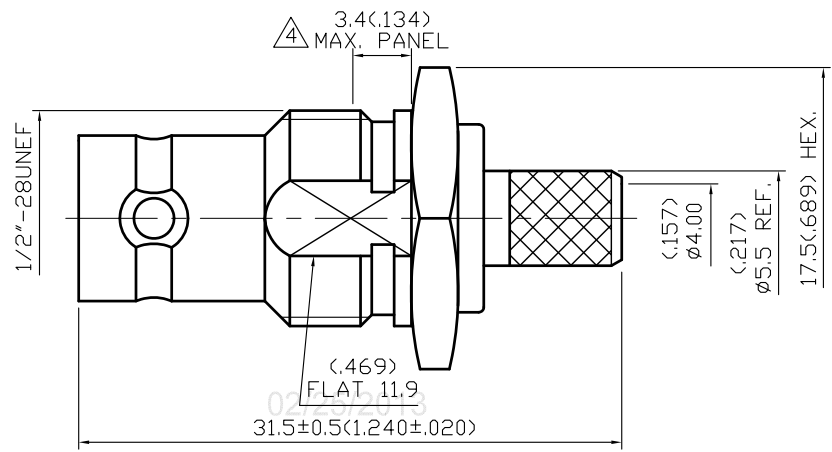
3.1 SEE BELOW TABLE FOR DETAILS.

4.0 MECHANICAL

- 4.1 FOR USE WITH RG59U OR SIMILAR STYLE CABLE
- 4.2 CABLE ATTACHMENT: OUTER: CRIMP, INNER: SOLDER/CRIMP
- 4.3 CRIMP SIZE REQUIRED: CONTACT: 1.85(.073) HEX. CRIMP TOOL ④
FERRULE: 6.5(.256) HEX. CRIMP TOOL

5.0 ENVIRONMENTAL

5.1 OPERATING TEMPERATURE RANGE: -65°C TO+165° C



STRIPPING DIMENSION

MOUNTING HOLE

APPROVED by _____ DATE: _____

NO	DESCRIPTION	MATERIAL	Q'TY	FINISH
8	CENTER CONTACT	BRASS	1	GOLD
7	CRIMP FERRULE	BRASS	1	NICKEL
6	CHASSIS	BRASS	1	NICKEL 100μ" MIN.
5	GASKET	SILICONE	1	NONE
4	INSULATION	TEFLON	1	NONE
3	BODY	BRASS	1	NICKEL 100μ" MIN.
2	WASHER	STEEL	1	NICKEL
1	NUT	BRASS	1	NICKEL



DESCRIPTION		BNC STRAIGHT BULKHEAD JACK CRIMP							
製圖	DRAWN	TOLERANCE	品名	13-11	T.G.N	59U	DATE	版次	REV.
	Yoko								
檢圖	CHECK	.XX	±0.1	單位	mm(in)	DWG.NO.	13-0107		
	Ivan							XXX	±0.05
認定	APPROVAL	ANGLE	±5°	比例					
	Angela								