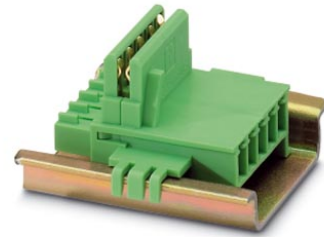


ME 22,5 TBUS 1,5/ 5-ST-3,81 GN

Order No.: 2707437

<http://eshop.phoenixcontact.de/phoenix/treeViewClick.do?UID=2707437>

Header, Nominal current: 8 A, Nom. voltage: 125 V, Color: green

Commercial data	
EAN	4017918911928
Pack	50 pcs.
Customs tariff	85472000
Weight/Piece	0.00548 KG
Catalog page information	Page 233 (NTK-2008)

Product notesWEEE/RoHS-compliant since:
01/01/2003

<http://www.download.phoenixcontact.com>
Please note that the data given here has been taken from the online catalog. For comprehensive information and data, please refer to the user documentation. The General Terms and Conditions of Use apply to Internet downloads.

Technical data

General	
Color	green
Dimensions / positions	
Constructional height	20 mm
Technical data	
Connection in acc. with standard	CUL
Nominal voltage U_N	150 V
Nominal current I_N	8 A

Indicator1	CUL1
Inflammability class acc. to UL 94	V0

Certificates / Approvals



Certification CUL, UL

CUL

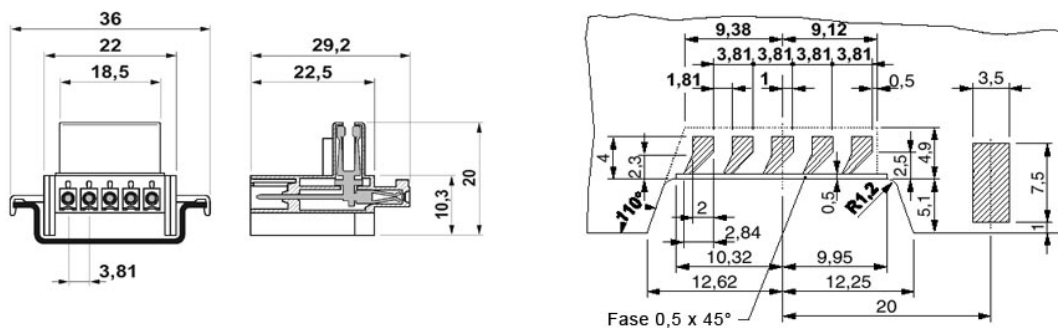
Nominal voltage U_N	150 V
Nominal current I_N	8 A

UL

Nominal voltage U_N	150 V
Nominal current I_N	8 A

Drawings

Dimensioned drawing



Detailed dimensional drawing of the DIN rail connector contact pads

Address

PHOENIX CONTACT Inc., USA
586 Fulling Mill Road
Middletown, PA 17057, USA
Phone (800) 888-7388
Fax (717) 944-1625
<http://www.phoenixcon.com>



© 2009 Phoenix Contact
Technical modifications reserved;