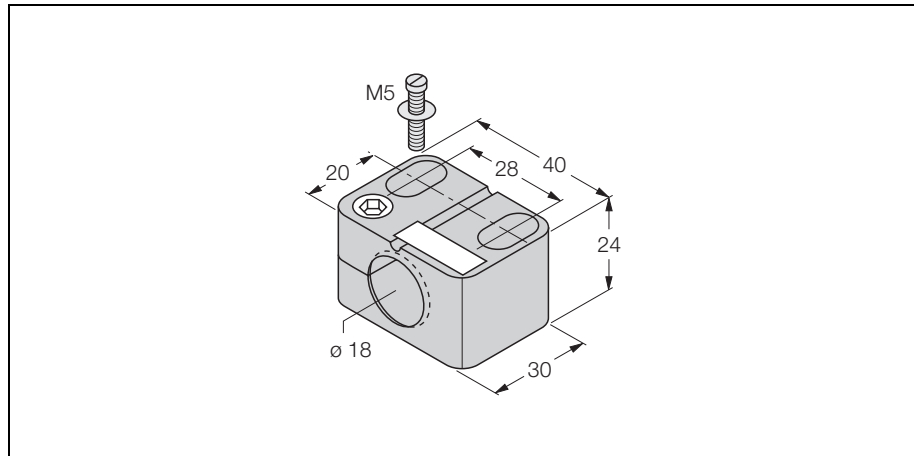


## mounting accessories BST-18B

**TURCK**

Industrial  
Automation



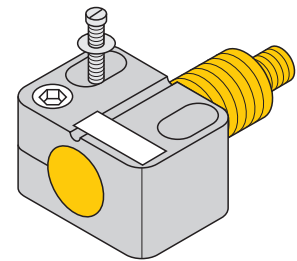
- fixing clamp with dead-stop
- plastic PA6

### general description

The sensor programme comprises inductive, magnetic-inductive, capacitive, photoelectric and ultrasonic sensors as well as pressure and flow controls.

A broad range of practice-oriented accessories ensure optimal adaption to your system.

<b>Type</b>	BST-18B
Ident-No.	6947214
<b>Housing</b>	accessories for threaded barrels, M18
Dimensions	30 x 40 x 24 mm
Housing material	plastic, PA6



**mounting accessories**  
**BST-18B**

**TURCK**

Industrial  
Automation

• Edition: • 27.08.2008