



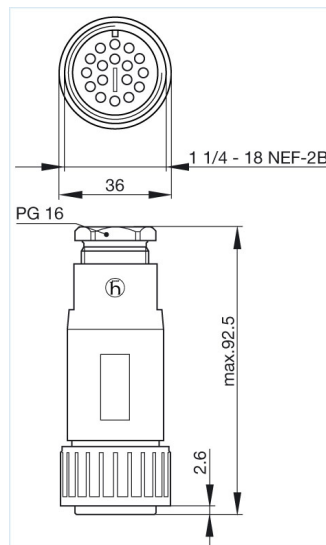
## CM 06 EA 20-29 S

Circular connector CM-series:Cable socket

### Product description

|                    |   |
|--------------------|---|
| Description        | Straight cable socket,<br>strain relief by means of a clamping cage |
| Type               | CM 06 EA 20-29 S  |
| Order No.          | 933 068-100   |
| Number of contacts | 17  |
| Cable gland        | PG 16   |
| Cable diameter     | 12 mm to 14 mm  |
| Conductor size     | max. 1.5 mm <sup>2</sup>  |
| Standard           | MIL-C 5015 bzw. VG 95 342   |
| Housing Color      | black   |

### Drawing



### Technical data

|                     |            |
|---------------------|------------|
| Pin dimensions      | 1.6 mm     |
| Rated voltage       | 50 V AC/DC |
| Rated current       | 4 A        |
| Contact resistance  | ≤ 5 mOhm   |
| Type of termination | solder     |
| Shell size          | 20         |

### Material

|                          |             |
|--------------------------|-------------|
| Contact surface material | Ag          |
| Contact bearer material  | PA 66-GF 25 |
| Housing material         | PA 66-GF 25 |
| O-Ring                   | NBR         |

### Environmental conditions

|  |   |
|--|---|
| Protection class (IEC 60529)             | IP 67   |
| Pollution severity                       | 3   |
| Temperature range                        | -40 °C to +90 °C  |
| <b>Inflammability class</b>              |   |
| Flammability, UL standard                | 94 V-1  |
| <b>Packaging unit</b>                    |   |
| Packaging unit                           | 100 pieces  |
| <b>Scope of delivery and accessories</b> |   |
| Scope of delivery                        | 1 cable socket, not assembled,<br>assembly instructions                           |
| Accessories to order separately          | can be plugged into CM 02 E 20-29 P;<br>cap CM 06 SD 20,<br>order no. 831 767-100 |