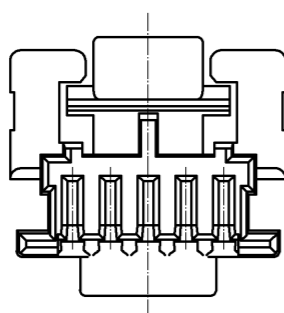
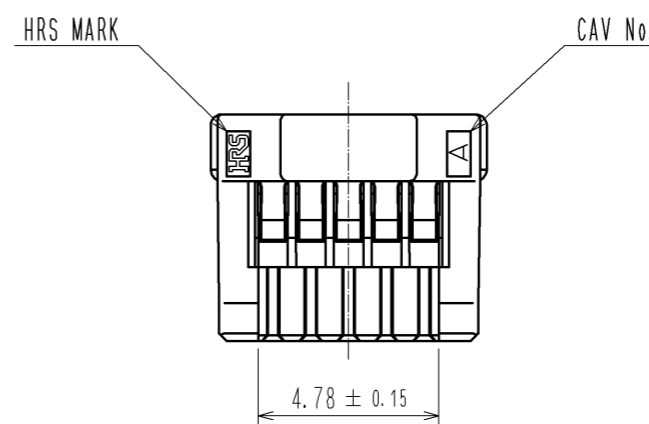
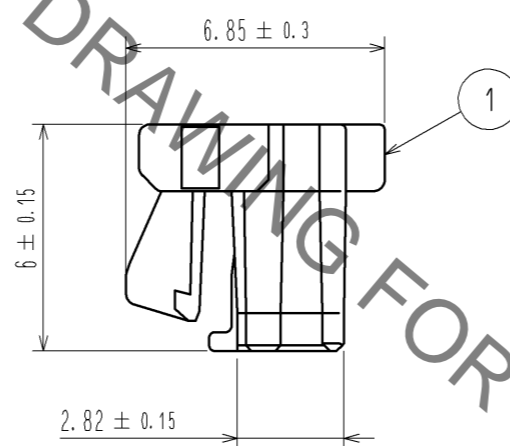
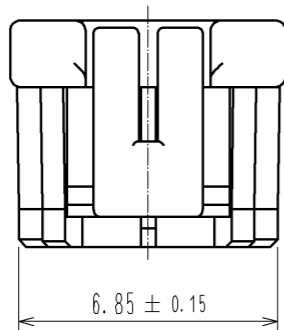
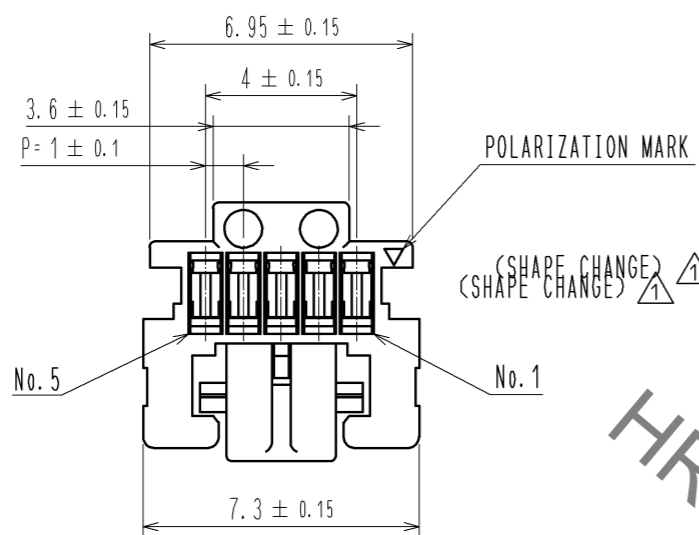


Sep.1.2019 Copyright 2019 HIROSE ELECTRIC CO., LTD. All Rights Reserved.
 In case of consideration for using Automotive equipment / device which demand high reliability, kindly contact our sales window correspondents.



HRS DRAWING FOR REFERENCE

NOTE1. PER PACK:100 PIECES

NO.		MATERIAL		FINISH . REMARKS		1		PBT		UL94V-0. BLACK	
UNITS		SCALE		COUNT		DESCRIPTION OF REVISIONS		DESIGNED		CHECKED	
mm		5 : 1		1		DIS-H-005903		KT. ISHII		OM. MIYAMOTO	
APPROVED		KI. AKIYAMA		11.03.18		DRAWING NO.		EDC3-329661-00			
CHECKED		OM. MIYAMOTO		11.03.18		PART NO.		DF50A-5S-1C			
DESIGNED		TT. OHSAKO		11.03.18		CODE NO.		CL665-1009-5-00			
DRAWN		TT. OHSAKO		11.03.18							