

**Ordering number** CA11892\_STRADA-SQ-T-DW

Family	Strada-SQ	FWHM	Asym degrees
Type	Assembly	Efficiency	-
LED	XM-L2	cd/lm	(simulated) 0.000
Color	Clear	Gerber File	Available
Diameter	25 + 25 mm		
Height	12.65 mm		
Style	Square		
Optic Material	PMMA		
Holder Material	-		
Fastening	Screw, pin, tape		
Status	On production		

**NOTE: The typical divergence will be changed by different color, chip size and chip position tolerance. The typical total divergence is the full angle measured where the luminous intensity is half of the peak value.**



## PRODUCT DATASHEET Strada-SQ series

last update 21/5/2013

### GENERAL INFORMATION

- Product series especially designed & optimized for XM-L2 series of LEDs.
- Special care taken to make light distribution as uniform as possible.
- Lens material optical grade PMMA with high UV and temperature resistance. Allows use of high current and temperature conditions.

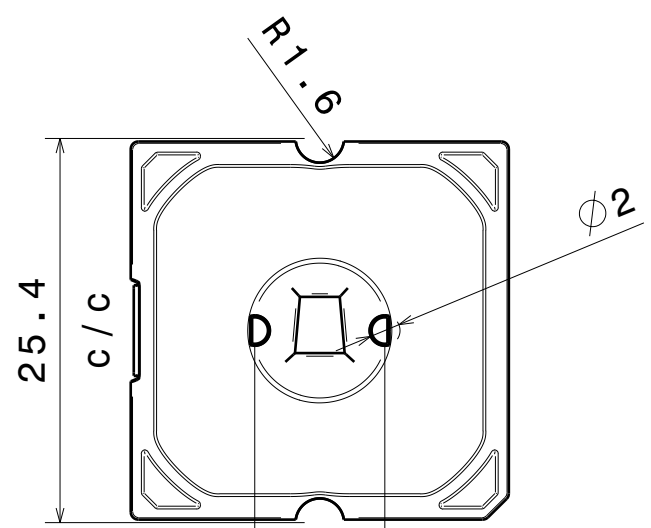
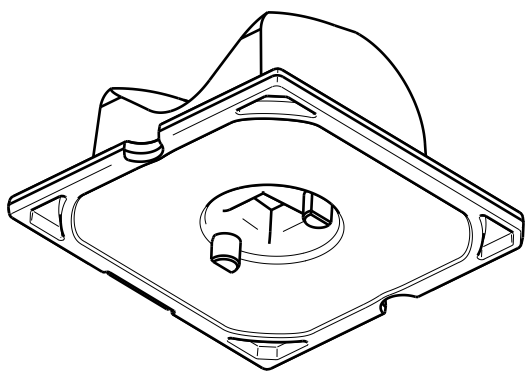
Please find more information about used material from below:

[http://ledil.fi/sites/default/files/Documents/Technical/Material/PMMA%20N%20UL94\\_Yellow%20Card.pdf](http://ledil.fi/sites/default/files/Documents/Technical/Material/PMMA%20N%20UL94_Yellow%20Card.pdf)

<http://ledil.fi/sites/default/files/Documents/Technical/Material/PMMA%20N%20PLEXIGLAS-Datasheet.pdf>

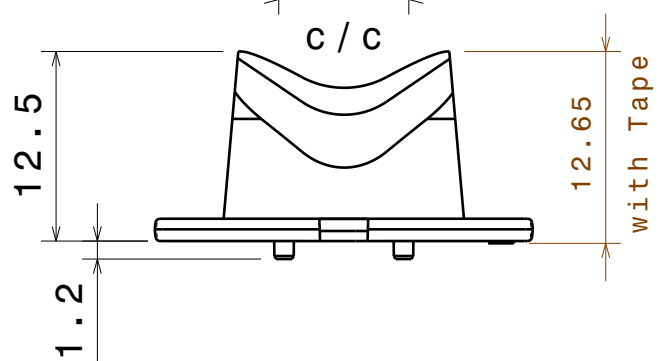
D C B A

4



4

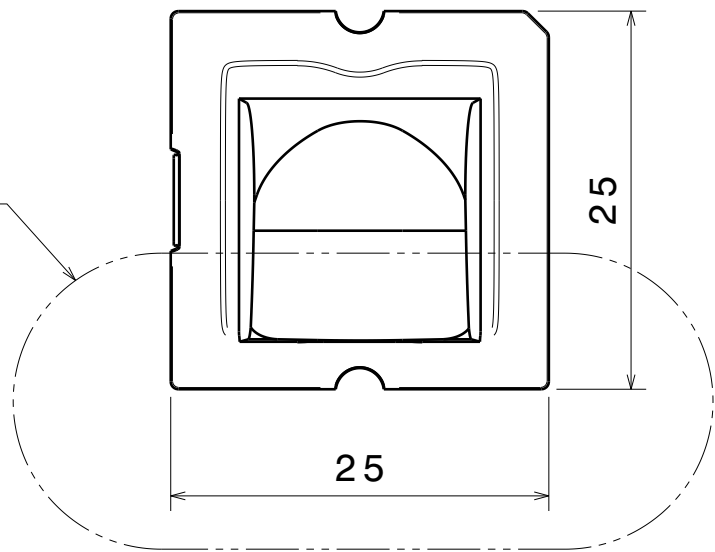
3



3

2

Beam direction



2

Part no.s:  
C11891\_Strada-SQ-T-DW-XM-L

Part no.s with tape:  
CA11892\_Strada-SQ-T-DW-XM-L-TAPE

MATERIALS  
Lens: PMMA  
Tape(optional): PU Foam

This drawing is our property.  
It can't be reproduced  
or communicated without  
our written agreement.



Ledil Oy  
Tehdaskatu 13  
FIN-24100 SALO  
Finland

DRAWING TITLE  
**Datasheet Strada-SQ-T-DW-XM-L Lens**

<b>DRAWN BY</b> mav	<b>DATE</b> 01.12.2010
<b>CHECKED BY</b> pv	<b>DATE</b> 01.12.2010
<b>DESIGNED BY</b> hh	<b>DATE</b> 01.12.2010

<b>SIZE</b> A4	<b>DRAWING NUMBER</b> C11891	<b>REV</b> 1
<b>SCALE</b> 2:1	<b>WEIGHT (g)</b>	<b>SHEET</b> 1/1

1

1

D A