

# Low Profile Hand Held (1599 Series)

Plastic

Recessed top panel for membrane display or pad...

P.C. card standoffs and vertical card guides molded in...

Flame retardant ABS version includes wear resistant brass bushings...

Flame retardant ABS version includes four machine screws (polystyrene are self tapping)...

Long life battery door option with our "three snap" location door...

## OTHER KEY FEATURES

- Attractively styled and ergonomically designed for use as a "hand-held" instrument enclosure.
- Two piece lap joint construction provides protection against dust accumulation and splashing water.
- Extra deep top and ultra shallow base are specifically designed to enhance the aesthetics of the enclosure and provide the user with flexibility and assembly efficiency.
- Designed to meet IP54
- Two keyhole knockouts are molded into the inside of the base to facilitate wall mounting installation.

### Fire Retardant ABS Plastic

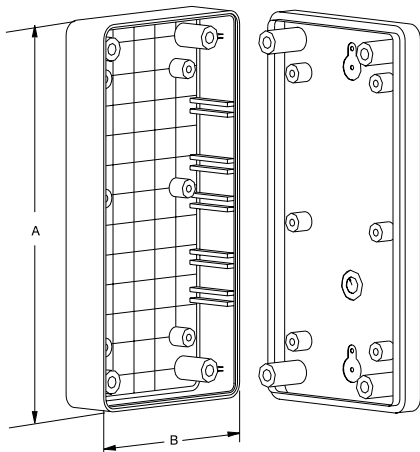
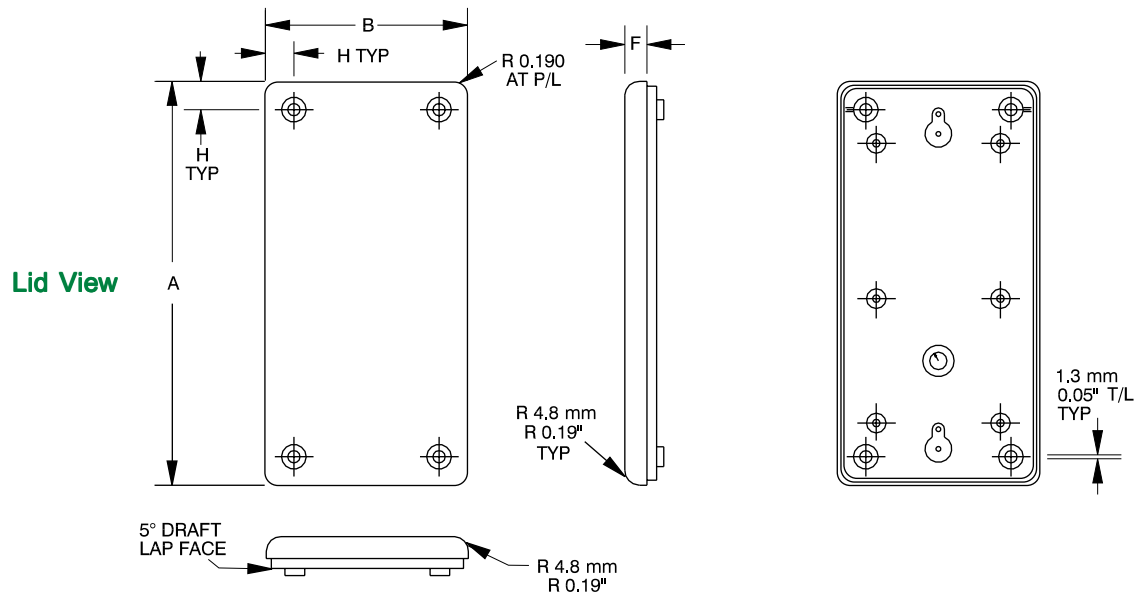
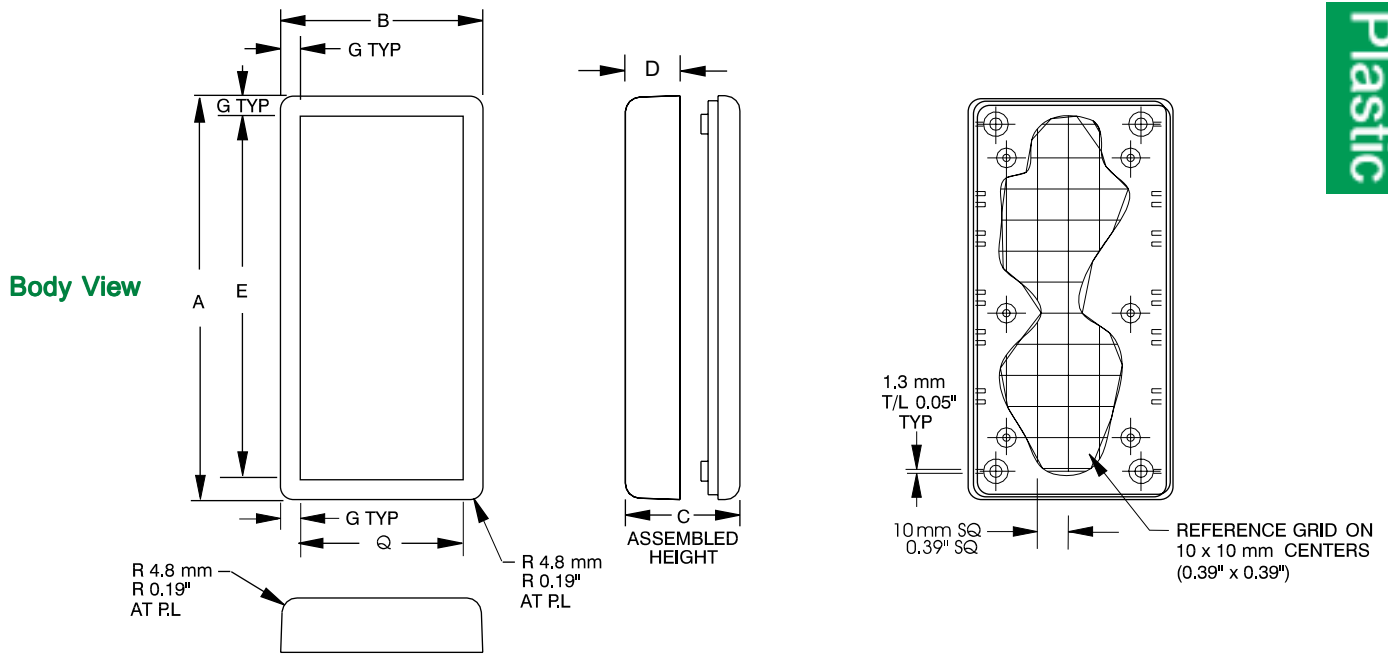
Part Number	See Size Chart	Color	Battery Door	Belt Clip	Shielded
1599BBK	1599B	Black	-	-	-
1599BGY	1599B	Grey	-	-	-
1599RBBK	1599B	Black	-	-	Yes
1599BBKBAT	1599B	Black	Yes	-	-
1599BGYBAT	1599B	Grey	Yes	-	-
1599BBKCP	1599B	Black	-	Yes	-
1599BGYCP	1599B	Grey	-	Yes	-
1599BBKBATCP	1599B	Black	Yes	Yes	-
1599BGYBATCP	1599B	Grey	Yes	Yes	-
1599EBK	1599E	Black	-	-	-
1599EGY	1599E	Grey	-	-	-
1599REBK	1599E	Black	-	-	Yes
1599EBKBAT	1599E	Black	Yes	-	-
1599EGYBAT	1599E	Grey	Yes	-	-
1599HBK	1599H	Black	-	-	-
1599HGY	1599H	Grey	-	-	-
1599RHBK	1599H	Black	-	-	Yes

### Polystyrene

Part Number	See Size Chart	Color	Battery Door
1599BSGY	1599B	Grey	-
1599BSGYBAT	1599B	Grey	Yes
1599ESGY	1599E	Grey	-
1599ESGYBAT	1599E	Grey	Yes
1599HSGY	1599H	Grey	-

# Low Profile Hand Held (1599 Series)

Plastic



## SIZE CHART

Series	Units	Dimensions							
		A	B	C	D	F	G	Q	E
1599B	inch	5.12	2.56	0.98	0.69	.28	.24	2.06	4.62
	mm	130	65	25	17.5	7	6	52.2	117.2
1599E	inch	6.7	3.35	1.33	1.02	.31	.24	2.81	6.16
	mm	170	85	34	26	8	6	71	157
1599H	inch	8.66	4.33	1.73	1.38	.35	.24	3.73	8.06
	mm	220	110	44	35	9	6	94.8	204.8



Hammond Manufacturing Co. Ltd.  
394 Edinburgh Rd. North  
Guelph, Ontario N1H 1E5 CANADA  
© Phone: 519-822-2960 Fax: 519-822-0715

[www.hammondmfg.com](http://www.hammondmfg.com)

Hammond Manufacturing Co. Inc.  
4700 Genesee St.  
Cheektowaga, NY 14225 USA  
Phone: 716-631-5700 Fax: 716-631-1156

# Low Profile Hand Held (1599 Series)

## ACCESSORIES

Plastic



### Replacement Screws for ABS

Machine type, used in flame retardant ABS 1599B series (ie...with brass inserts).

M3 - 0.5 x 18 mm

**1594MS100** - Package of 100

Machine type, used in flame retardant ABS 1599E series (ie...with brass inserts).

M3 - 0.5 x 25 mm

**1594WMS100** - Package of 100

Machine type, used in flame retardant ABS 1599H series (ie...with brass inserts).

M3 - 0.5 x 28 mm

**1599HMS100** - Package of 100



### Replacement Screws for Polystyrene

Self tapping type, used in polystyrene 1599BS series (ie...no brass inserts).

# 4 x 3/4"

**1599BTS100** - Package of 100

Self tapping type, used in polystyrene 1599ES series (ie...no brass inserts).

# 4 x 1"

**1594TS100** - Package of 100

Self tapping type, used in polystyrene 1599HS series (ie...no brass inserts).

# 4 x 1 & 5/16"

**1599HTS100** - Package of 100

### Battery Holder Kits

- Designed for our battery door enclosures.
- Kits include all the parts required to install the battery or batteries.
- Kit includes the battery holder, wires, divider and foam anti-rattle pad.

Part Number	Battery holder kit for:	Fits Battery Door Enclosure Size:
<b>BH1AAWKIT</b>	1 AA Cell	B and E
<b>BH2AAWKIT</b>	2 AA Cells	B and E
<b>BH1AAAWKIT</b>	1 AAA Cell	B and E
<b>BH2AAAWKIT</b>	2 AAA Cells	B and E
<b>BH3AAAWKIT</b>	3 AAA Cells	E size only
<b>BH4AAAWKIT</b>	4 AAA Cells	E size only
<b>BS61KIT</b>	1 - 9V Cell	B and E

### Belt or Pocket Clip

Molded from tough nylon, includes 2 nylon screws and mounting template. Black - **1599CLIP**  
Grey - **1599CLIPGY**

*Nylon screws for electrical insulation and strength...*

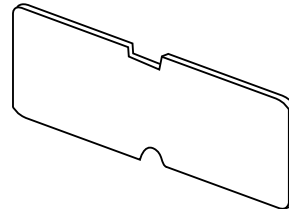


*High strength nylon clip for belt or pocket...*

### P.C. Board Mounting Screws

Self tapping type, used for bosses in the 1599 series for P.C. board installation. # 6 x 1/4" (6.4 mm)

**1598ATS100** - Package of 100



### Battery Dividers

Grey ABS plastic panel barriers which insert vertically into the P.C. card guides of the 1599B series.

**1599BD5** - Package of 5

**1599BD100** - Package of 100

Grey ABS plastic panel barriers which insert vertically into the P.C. card guides of the 1599E series.

**1599ED5** - Package of 5

**1599ED100** - Package of 100

Grey ABS plastic panel barriers which insert vertically into the P.C. card guides of the 1599H series.

**1599HD5** - Package of 5

**1599HD100** - Package of 100

