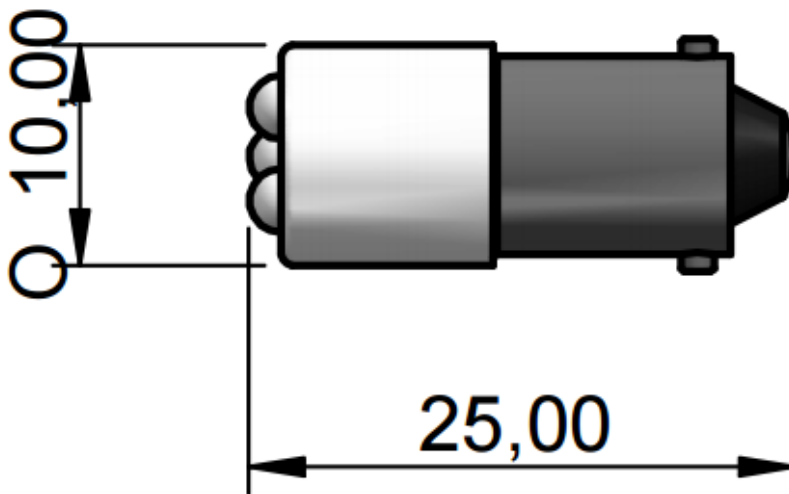


Datasheet

White LED Cluster Indicator

RS Stock number [211-695](#)

Dimensions: (mm)



Specifications

LED/Multiled	LED	Optimum voltage (V)	24vac/dc	Intensity	3x2070mcd
Mounting Size	10x25mm	Rectifier	Half Wave		
Mounting Finish	Ba9s	AC current	9mA		
Protection		DC current	17mA (max)		
Mount Holder	Ba9s	Voltage Tolerance(%)	10%		
Chip Qty	3	Optimum temperature (°C)	-30°C...+60°C		
Indicator colour	White	Storage temperature (°C)	-30°C...+60°C		
Wavelength (nm)		Contact Tab x 2	Ba9s Cap		



Dimension in mm (typical), not to scale.
We reserve the right to make changes without further notice to this product to improve reliability, function or design.