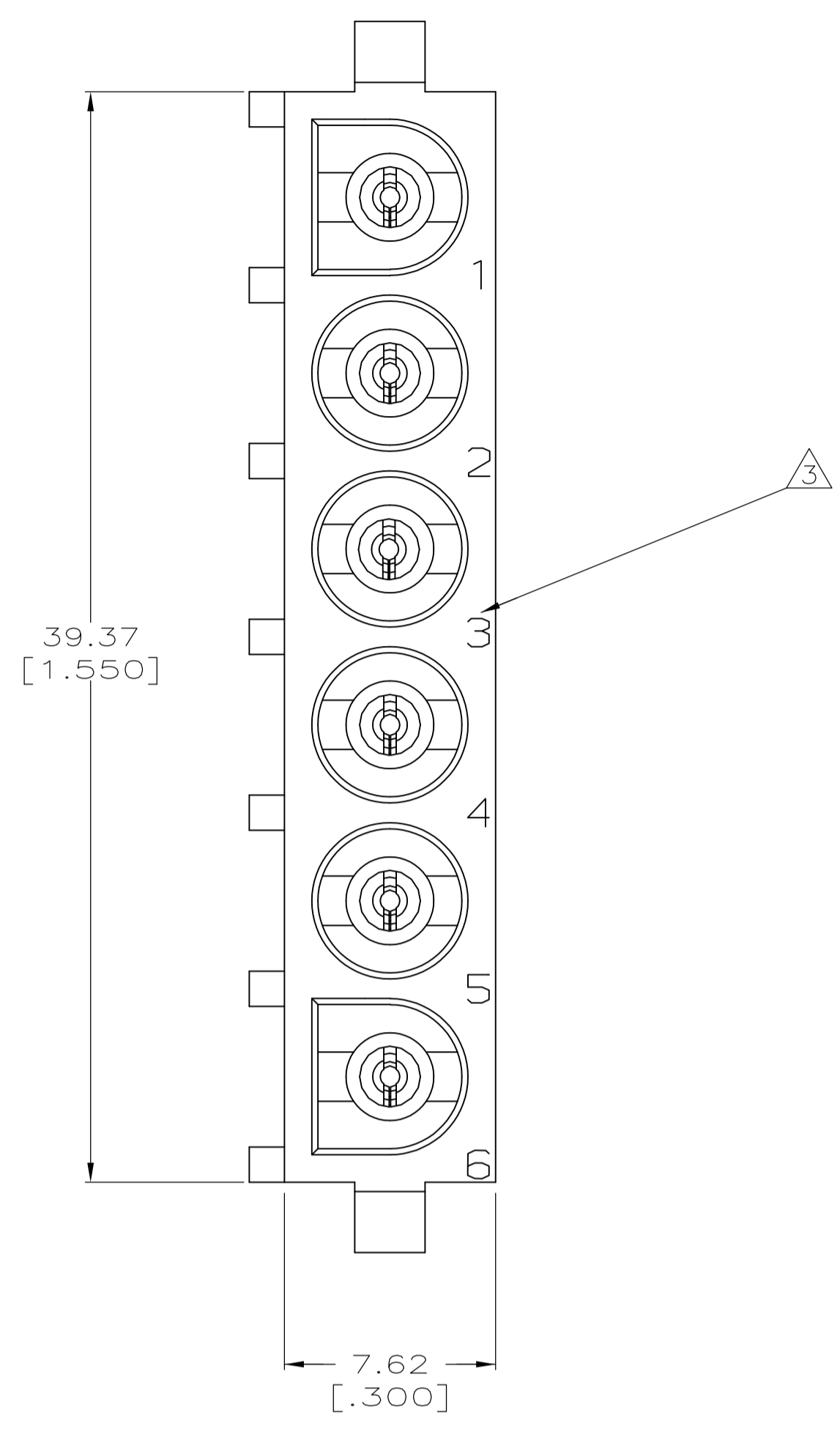
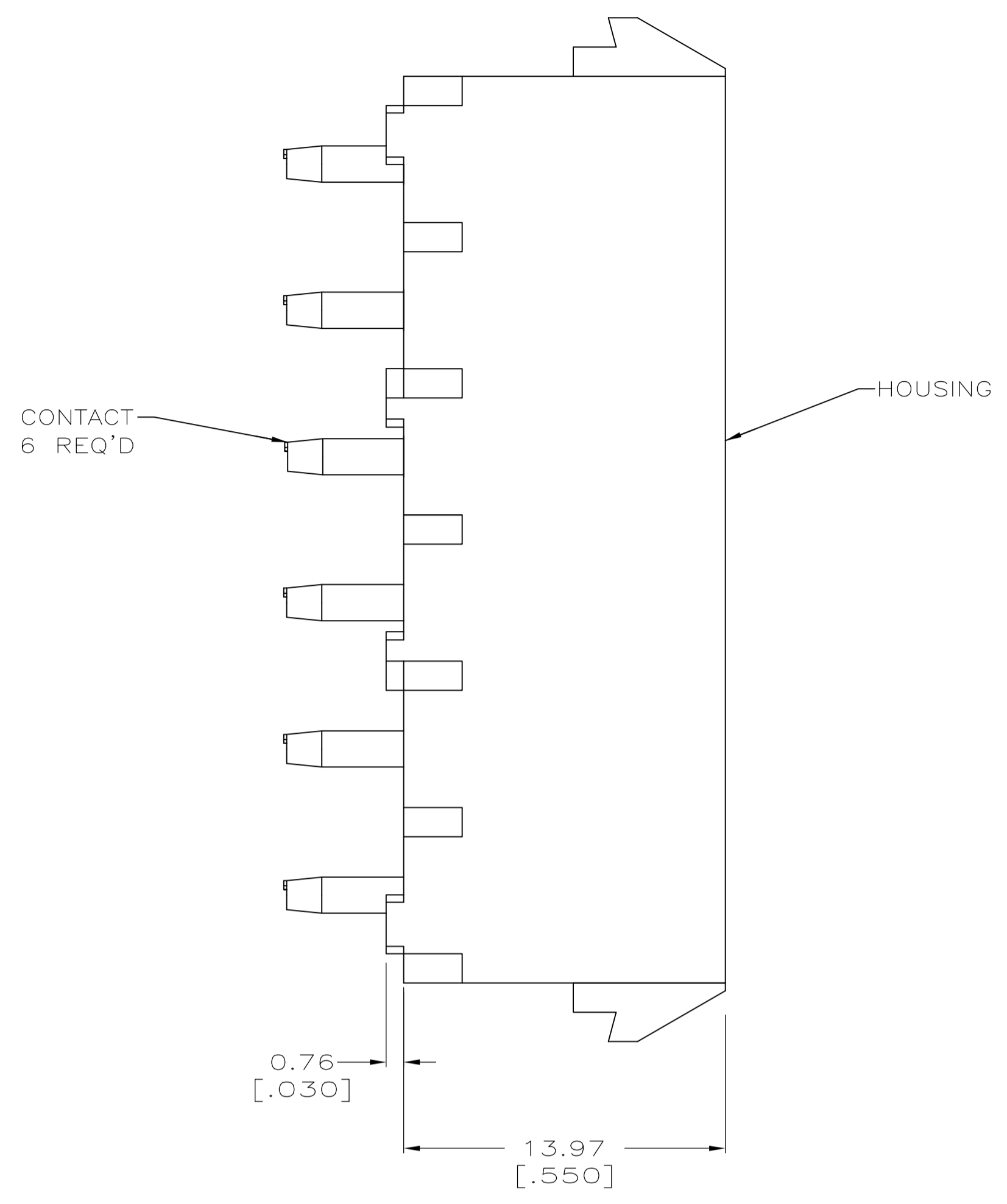
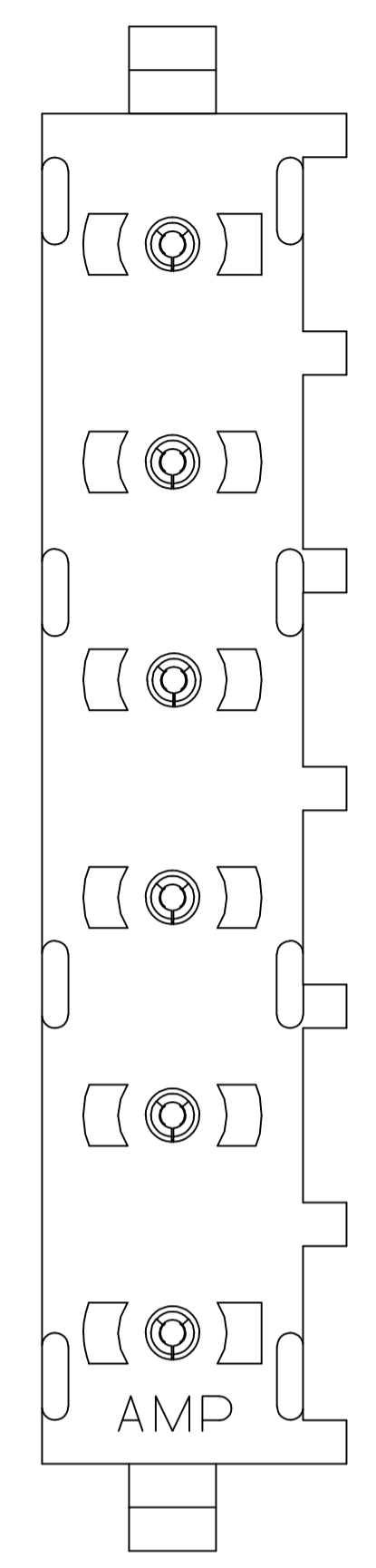
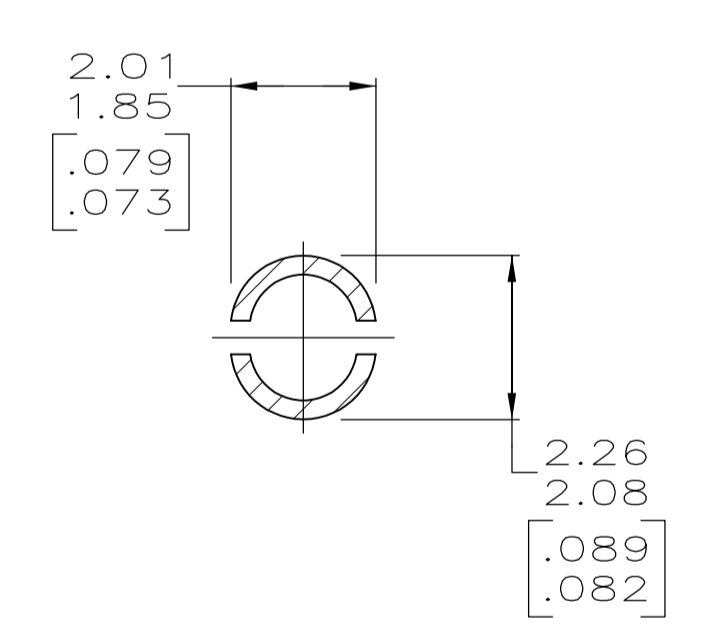
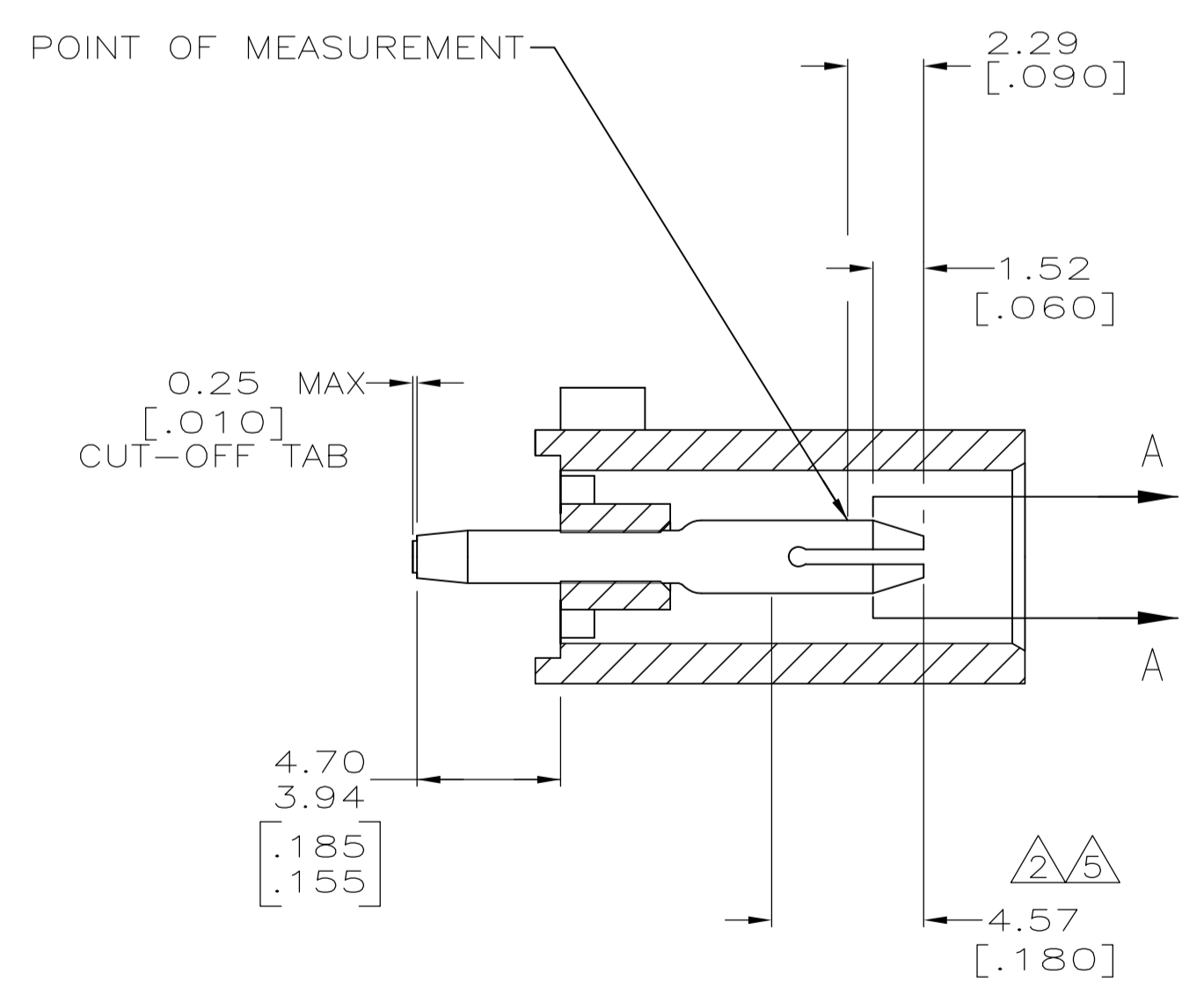


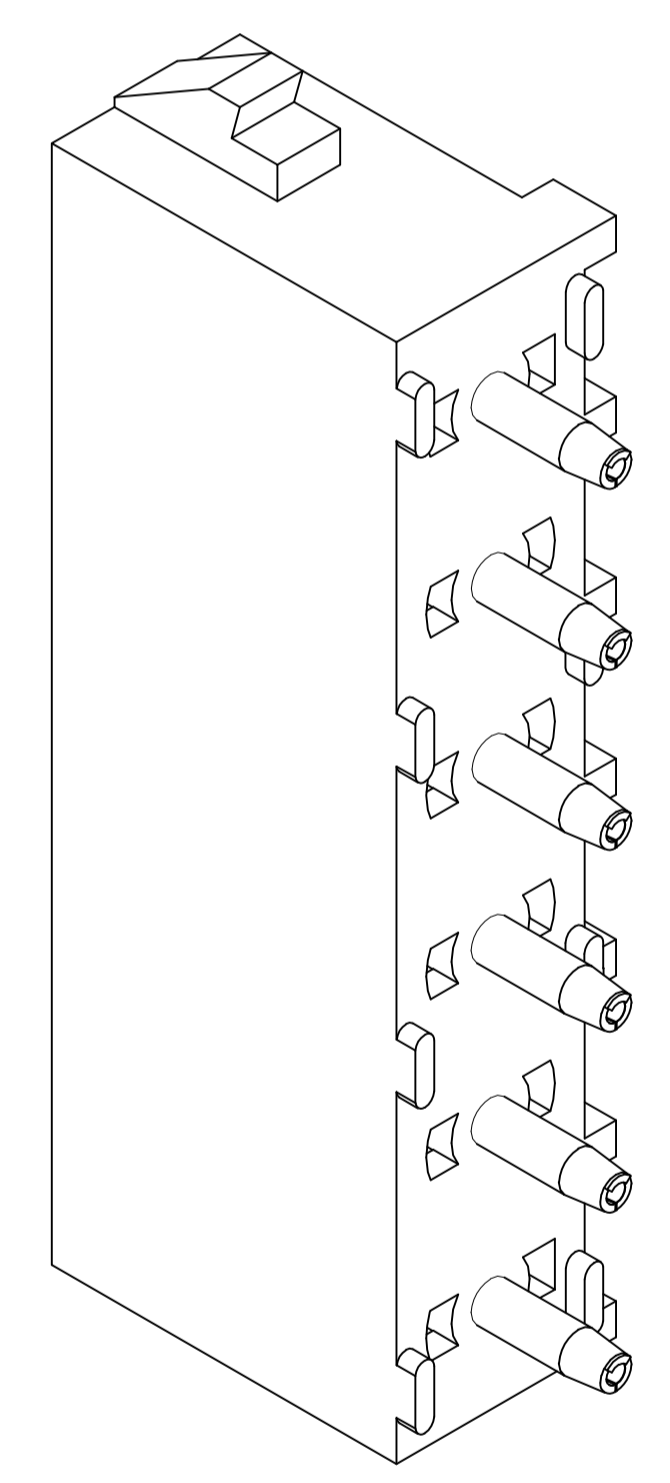
LOC		DIST		REVISIONS			
P	LTR	DESCRIPTION	DATE	DMN	APVD		
M1		ECO-07-017257	09AUG07	KW	DC		
M2		REVISED PER ECO-10-000443	15JAN10	KK	AEG		



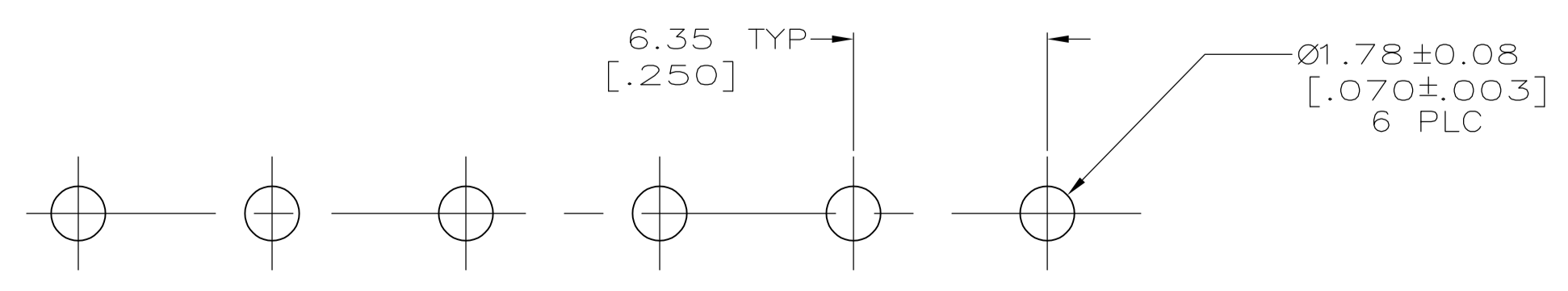
- PARTS COMPLY TO AMP SOLDERABILITY SPECIFICATION 109-11-3.
- CONTACT IS PLATED OVERALL WITH 0.00127 [.000050] NICKEL, THEN 0.00076 [.000030] GOLD OVER CONTACT LENGTH INDICATED AND MATTE TIN LEAD ON SOLDER TAIL END.
- CIRCUIT IDENTIFICATION CHARACTERS ARE ADJACENT TO THE INDICATED CAVITIES, BUT LOCATION AND ORIENTATION MAY DIFFER FROM PRINT.
- DIMENSIONS IN BRACKETS ARE IN INCHES.
- CONTACT IS PLATED OVERALL WITH 0.00127 [.000050] NICKEL, THEN 0.00076 [.000030] GOLD OVER CONTACT LENGTH INDICATED AND MATTE TIN ON SOLDER TAIL END.
- OBsolete PARTS: OBsolete CIS STREAMLINING PER D.RENAUD/D.SINISI



SECTION A-A
SCALE 10:1



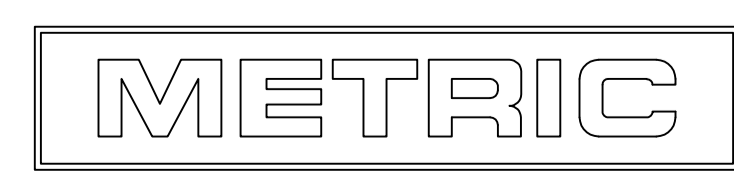
3-DIMENSIONAL MODEL NTS



RECOMMENDED MOUNTING HOLE PATTERN FOR 1.57 [.062] THICK P.C. BOARD

MATERIAL	HOUSING MATERIAL	PART NUMBER
PHOSPHOR BRONZE, PRE-TIN	NYLON,UL94V-0,BLUE	1-641831-6
PHOSPHOR BRONZE, PRE-TIN	NYLON,UL94V-0,RED	1-641831-2
PHOSPHOR BRONZE, GOLD	NYLON,UL94V-0,WHITE	641831-3
PHOSPHOR BRONZE, GOLD	NYLON,UL94V-0,WHITE	641831-2
PHOSPHOR BRONZE, PRE-TIN	NYLON,UL94V-0,WHITE	641831-1

OBsolete



THIS DRAWING IS A CONTROLLED DOCUMENT.

DIMENSIONS: mm [INCHES]	TOLERANCES UNLESS OTHERWISE SPECIFIED:	DIN 9137 10-05-98	APPROVED: R SWING 10-05-98	Tyco Electronics Corporation Greensboro, NC 27409
0 PLC ± -	1 PLC ± -	2 PLC ± 0.13 [.005]	3 PLC ± -	4 PLC ± -
ANGLES ± 0°30'				
MATERIAL SEE TABLE	FINISH SEE TABLE	WEIGHT	SIZE: A1	SCALE: 5:1
			CAGE CODE: 00779	DRAWING NO: 641831
			CUSTOMER DRAWING	SHEET 1 OF 1