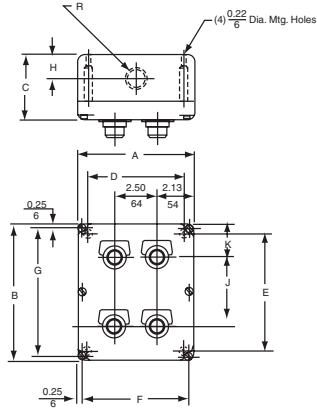


### Dimensions

#### Type KY / TY

#### Aluminium

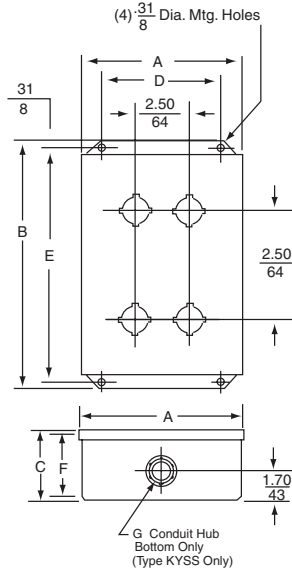


No. of units	Overall dimensions			Mounting dim.				Conduit			Other dimensions			Cover thickness	
	A	B	C	KY		KZ (cover only)		H	KY	TY	J	K	L		
				D	E	F	G								R
in	1	3.62	4.00	3.53	3.00	2.75	3.12	3.50	1.125	0.75-14	---	---	2.00	10-24 x .625	1.18
	2	3.62	5.75	3.53	3.00	4.50	3.12	5.25	1.125	0.75-14	---	1.75	2.00	10-24 x .625	1.18
	3	3.62	7.00	3.53	3.00	6.25	3.12	7.00	1.125	0.75-14	---	1.75	2.00	10-24 x .625	1.18
	4	3.62	9.25	3.53	3.00	8.00	3.12	8.75	1.125	0.75-14	---	1.75	2.00	10-24 x .625	1.18
mm	1	91.9	101.6	89.7	76.2	69.9	79.2	88.9	28.6	---	25.0	---	50.8	---	30.0
	2	91.9	146.1	89.7	76.2	114.3	79.2	133.4	28.6	---	25.0	44.5	50.8	---	30.0
	3	91.9	177.8	89.7	76.2	158.8	79.2	177.8	28.6	---	25.0	44.5	50.8	---	30.0
	4	91.9	235.0	89.7	76.2	203.2	79.2	222.3	28.6	---	25.0	44.5	50.8	---	30.0

4

#### Type KYSS

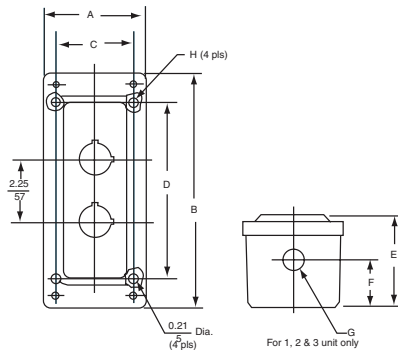
#### Stainless steel



No. of units	Overall dimensions						Mounting dimensions				Inside dim.		Conduit
	A		B		C		D		E		F		
	in	mm	in	mm	in	mm	in	mm	in	mm	in	mm	
1	4.18	106	5.24	133	3.63	92	2.25	57	4.62	117	3.41	87	0.75-14
2	4.18	106	7.74	197	3.63	92	2.25	57	7.12	181	3.41	87	0.75-14
3	4.18	106	10.24	260	3.63	92	2.25	57	9.62	244	3.41	87	0.75-14
4	4.18	106	12.74	324	3.63	92	2.25	57	12.12	308	3.41	87	0.75-14

#### Type SKY

#### Glass polymeric



Mtg. hole	Conduit size	Conduit location	Height	Mtg. dim.				Overall dim.				No. of units				
				H	G	F	E	D	C	B	A					
in	mm	in	mm	in	mm	in	mm	in	mm	in	mm	in	mm			
0.31	8	0.75	19	1.34	34	3.88	99	4.88	124	2.94	75	6.63	169	3.81	97	1
0.31	8	0.75	19	1.34	34	3.88	99	4.88	124	2.94	75	6.63	169	3.81	97	2
0.31	8	0.75	19	1.34	34	3.88	99	7.13	181	2.94	75	8.88	226	3.81	97	3