



INFRESCO VR-PIR-12V SENSOR

X10728

INTRODUCTION

This 12V single head Passive Infra-Red (PIR) external sensor has been selected to work with the Infresco VR- range. The PIR will monitor the selected area ensuring the heaters only switch on when it is occupied.



MOTION DETECTOR 12 VOLT LBM 120°



5 - 1000 Lux



5 seconds to 15
minutes



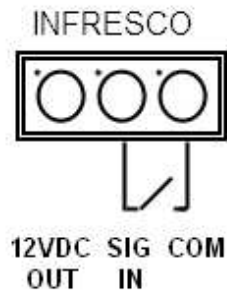
approx. 10 metres



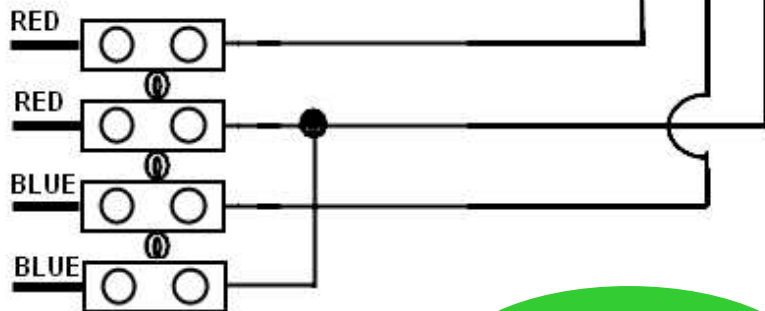
Sensor

- Motion detector 12V LBM 926, white
- Field of detection 120°
- For wall or ceiling mounting
- 12 volt technology, ideal for camping, boats and solar technology
- With floating switch contact
- Housing made of UV-resistant plastic
- Optimum detection of the required area thanks to rotatable and swivelling sensor head
- Twilight switch and switching time are continuously variable

INSTALLATION

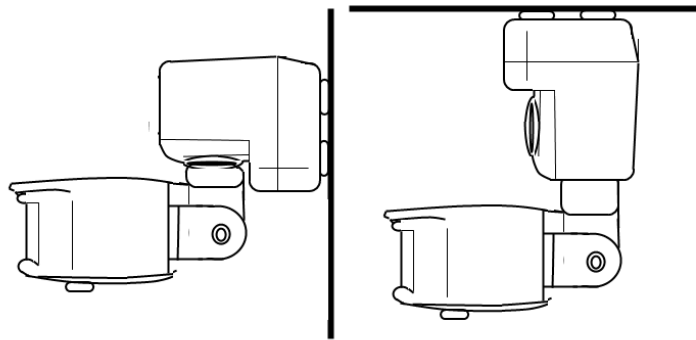


PIR SENSOR



RoHS Compliant

MOUNTING



SPECIFICATIONS

| | |
|---------------------------|--|
| Sensing range | 120° |
| Time setting | approx. 5 seconds to 15 min, infinitely variable |
| Range | approx. 10 m, infinitely variable |
| Twilight switches | approx. 5 - 1000 lux, infinitely variable |
| Operating voltage | 12 V AC/DC |
| Approx. power consumption | 0.4 W |
| Switching capacity | floating relay 10A, 12V to 30V ac/dc |
| Protection type | IP 44 |
| Installation type | wall and ceiling mounting |
| Measurements | W 100 x H 80 x D 117 mm |
| EAN code | 4011315000926 |

TROUBLESHOOTING

| Problem | Cause | Remedy |
|--|---|---|
| Motion detector switches the light on too late | <ul style="list-style-type: none"> Detection range setting Movement from the front | <ul style="list-style-type: none"> Adjust detection area by turning the sensor |
| Motion detector fails to achieve maximum range | <ul style="list-style-type: none"> Motion detector is mounted too low Difference in temperature between heat source and surroundings is not big enough | <ul style="list-style-type: none"> Mount Higher |
| Motion detector switches light on constantly or when not necessary | <ul style="list-style-type: none"> Constant warm movement: The field of detection encompasses areas that do not require monitoring, such as pathways, roads, trees and reflective water. Unexpected change in heat sources due to a storm, rain or fans. Influence of direct/indirect sunlight | <ul style="list-style-type: none"> Re-align detector and, if necessary change its location |

CE MARKING

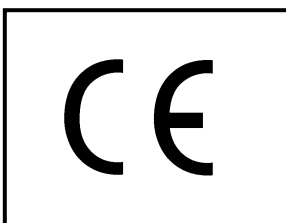
This family carries a "CE" marking. For more information see recommendations section and contact our sales desk. (See Declaration of Conformity)

ORDERING & INFORMATION

Stock **code ref.** : A26051

For additional installation information on the INFRESCO-VR range see the appropriate manual:-

INFRESCO-V(R/M)-2kW - X20018
 INFRESCO-V(R/M)-4kW - X20033
 INFRESCO-V(R/M)-6kW - X20029



UNITED AUTOMATION LIMITED

Southport Business Park
 Wight Moss Way
 Southport, PR8 4HQ
 ENGLAND

Tel: 0044 (0) 1704 – 516500
 Fax: 0044 (0) 1704 – 516501
 enquiries@united-automation.com
 www.united-automation.com

