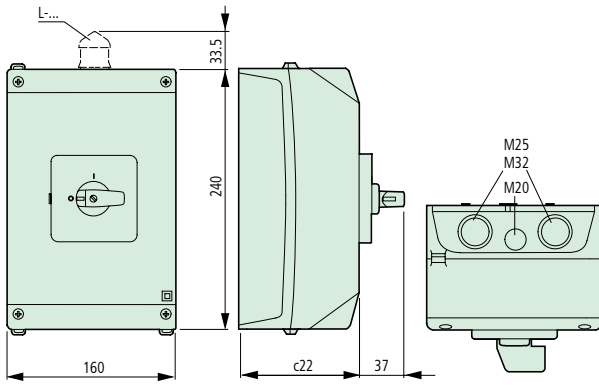


T5B, T5 Rotary Switches

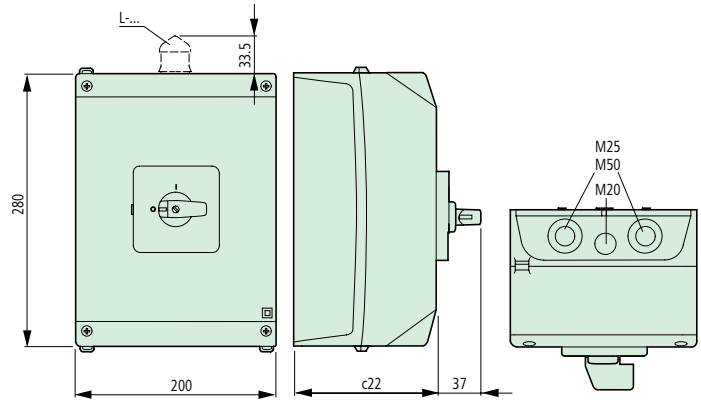
Dimensions

Surface mounting

T5(B).../I4

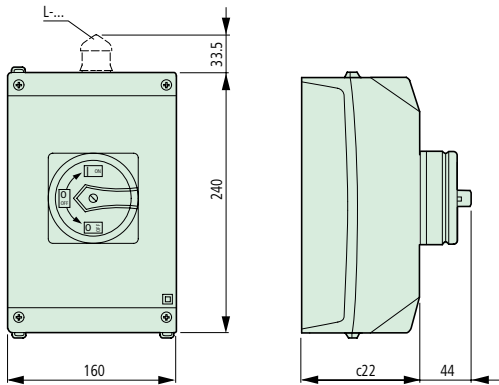


T5.../I5

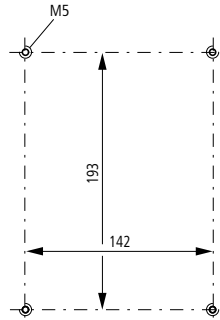


Surface mounting main switches

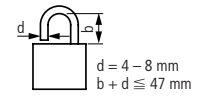
T5(B).../I4/SVB



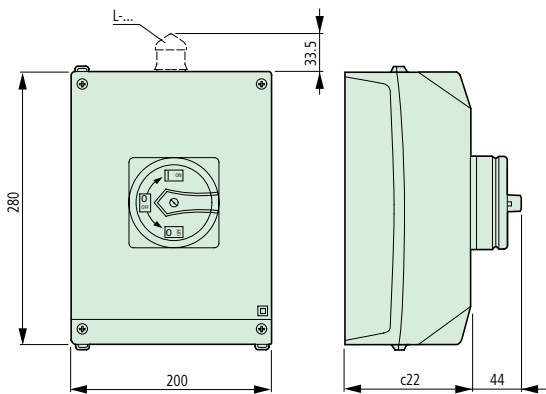
Drilling dimensions



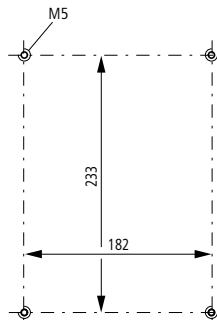
≧ 3 padlocks



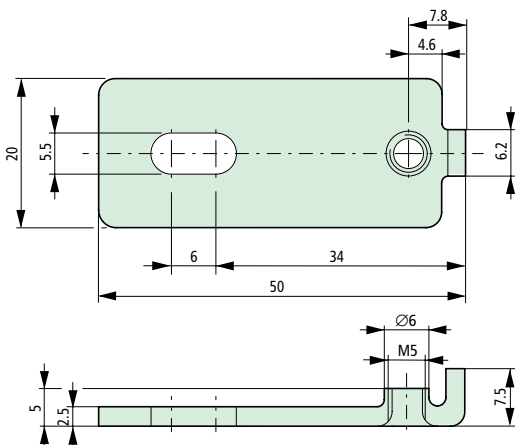
T5.../I5/SVB



Drilling dimensions



External fixing bracket



Type	c2	c20 ≧/≦	c24 with ≧ 4 ZAV	c21	c22
T5(B)-1...	54	92 - 107	207	90	125 (95)
T5(B)-2...	71	109 - 124	224	90	125 (95)
T5(B)-3...	87	125 - 140	240	123	160 (160)
T5(B)-4...	104	142 - 157	257	123	160 (160)
T5(B)-5...	120	158 - 173	273	-	-
T5(B)-6...	137	175 - 190	290	-	-
T5(B)-7...	153	191 - 206	306	-	-
T5(B)-8...	170	208 - 223	323	-	-
T5(B)-9...	186	224 - 239	339	-	-
T5(B)-10...	203	240 - 356	356	-	-

Depth of one contact unit: 16.5 mm

The rotary switches T5B and T5 are of identical design but differ in their contacts