

**Ordering number C12782_MELODY-4-M**

Family	Melody	FWHM	30 degrees
Type	Lens array	Efficiency	92 %
LED	XP-G	cd/lm	2.500
Color	Clear	Gerber File	Available
Diameter	50.6 mm		
Height	11.9 mm		
Style	Round		
Optic Material	PMMA		
Holder Material	-		
Fastening	Pin, glue		
Status	Ready		

Ordering number C13095_MELODY-3-M

Family	Melody	FWHM	38 degrees
Type	Lens array	Efficiency	92 %
LED	XP-G	cd/lm	1.780
Color	Clear	Gerber File	Available
Diameter	50.6 mm		
Height	11.9 mm		
Style	Round		
Optic Material	PMMA		
Holder Material	-		
Fastening	Pin, glue		
Status	Ready		

NOTE: The typical divergence will be changed by different color, chip size and chip position tolerance. The typical total divergence is the full angle measured where the luminous intensity is half of the peak value.



PRODUCT DATASHEET

Melody series

last update 8/12/2012

GENERAL INFORMATION

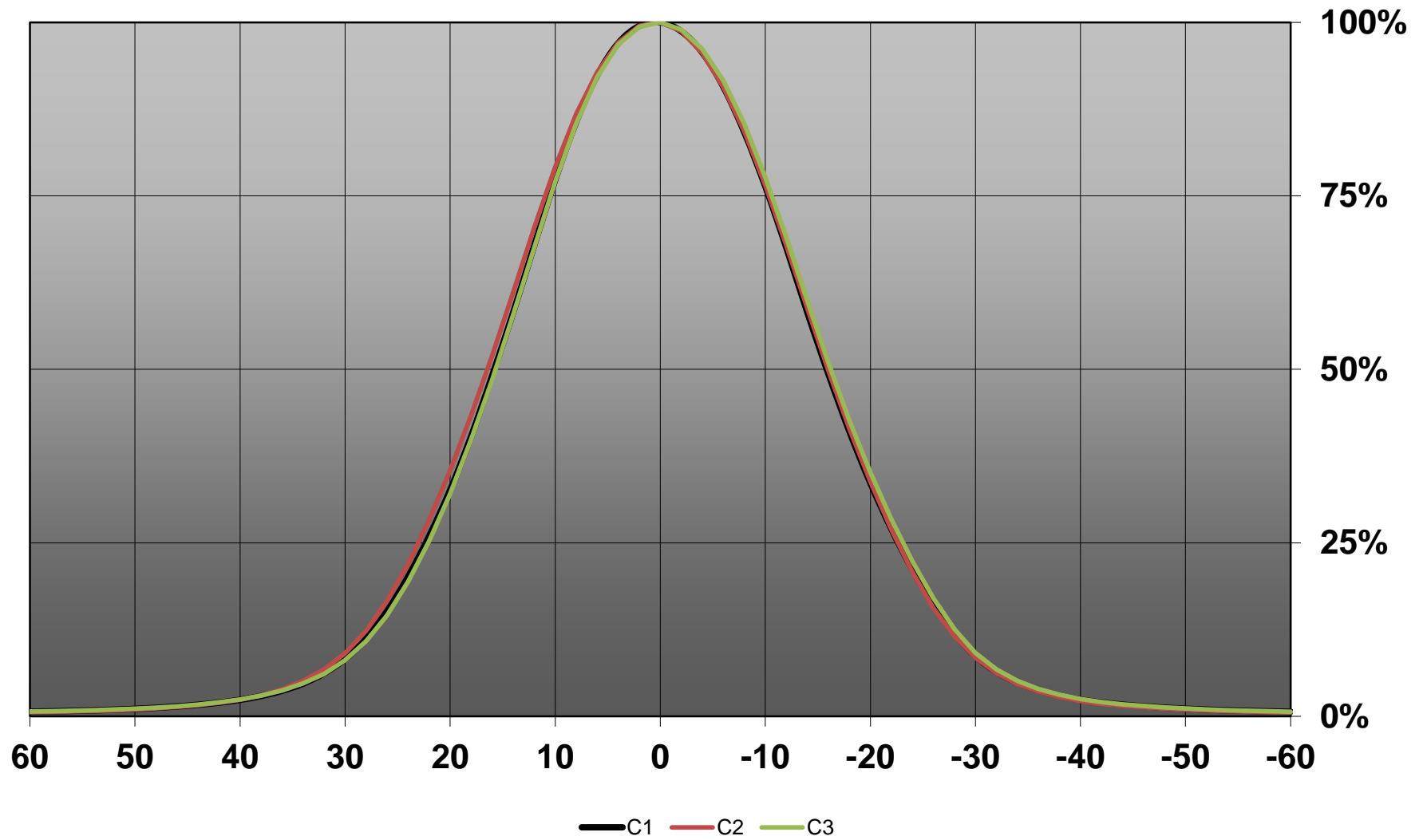
- Product series especially designed & optimized for XP-G series of LEDs.
- Special care taken to make light distribution as uniform as possible.
- Lens material optical grade PMMA with high UV and temperature resistance. Allows use of high current and temperature conditions.

Please find more information about used material from below:

http://ledil.fi/sites/default/files/Documents/Technical/Material/PMMA%20N%20UL94_Yellow%20Card.pdf

<http://ledil.fi/sites/default/files/Documents/Technical/Material/PMMA%20N%20PLEXIGLAS-Datasheet.pdf>

Relative intensity of C12782_MELODY-4-M-XPG

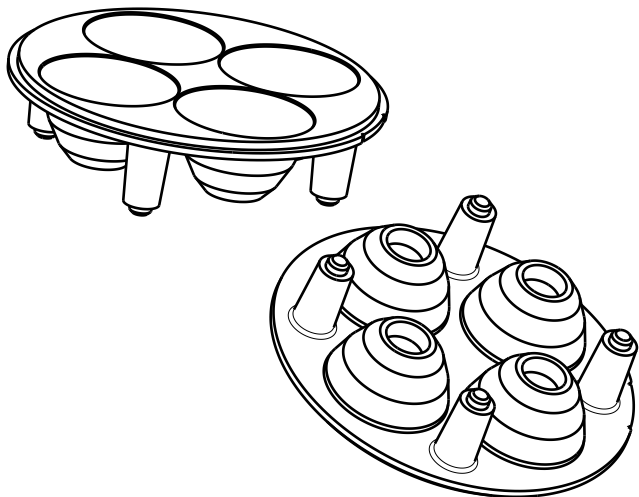


D

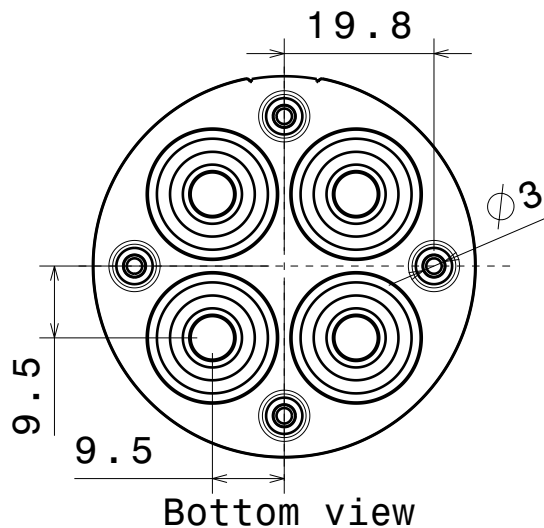
C

B

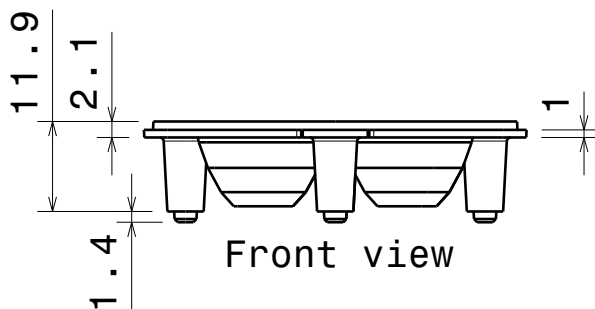
A



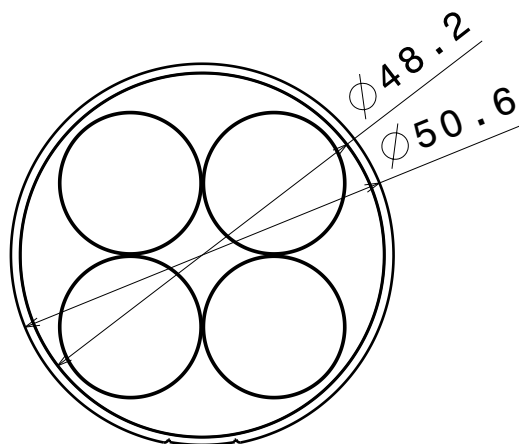
Isometric view



Bottom view



Front view



Top view

Material: PMMA

Tolerances for dimensions:

0-20mm tolerance value +/-0.1mm

21-45mm tolerance value +/-0.2mm

46-90mm tolerance value +/-0.3mm

91-100mm tolerance value +/-0.4mm

101-mm tolerance value +/-0.5mm

This drawing is our property.
It can't be reproduced
or communicated without
our written agreement.



Ledil Oy
Salorankatu 10
FIN 24240 SALO
Finland

DRAWING TITLE

Datasheet MELODY-4 series

DRAWN BY

mav

DATE

18.04.2012

CHECKED BY

sn

DATE

18.04.2012

SIZE

A4

DRAWING NUMBER

-

REV

1

DESIGNED BY

mav

DATE

06.03.2012

SCALE

1:1

WEIGHT (g)

SHEET

1/1

D

A

4

4

3

3

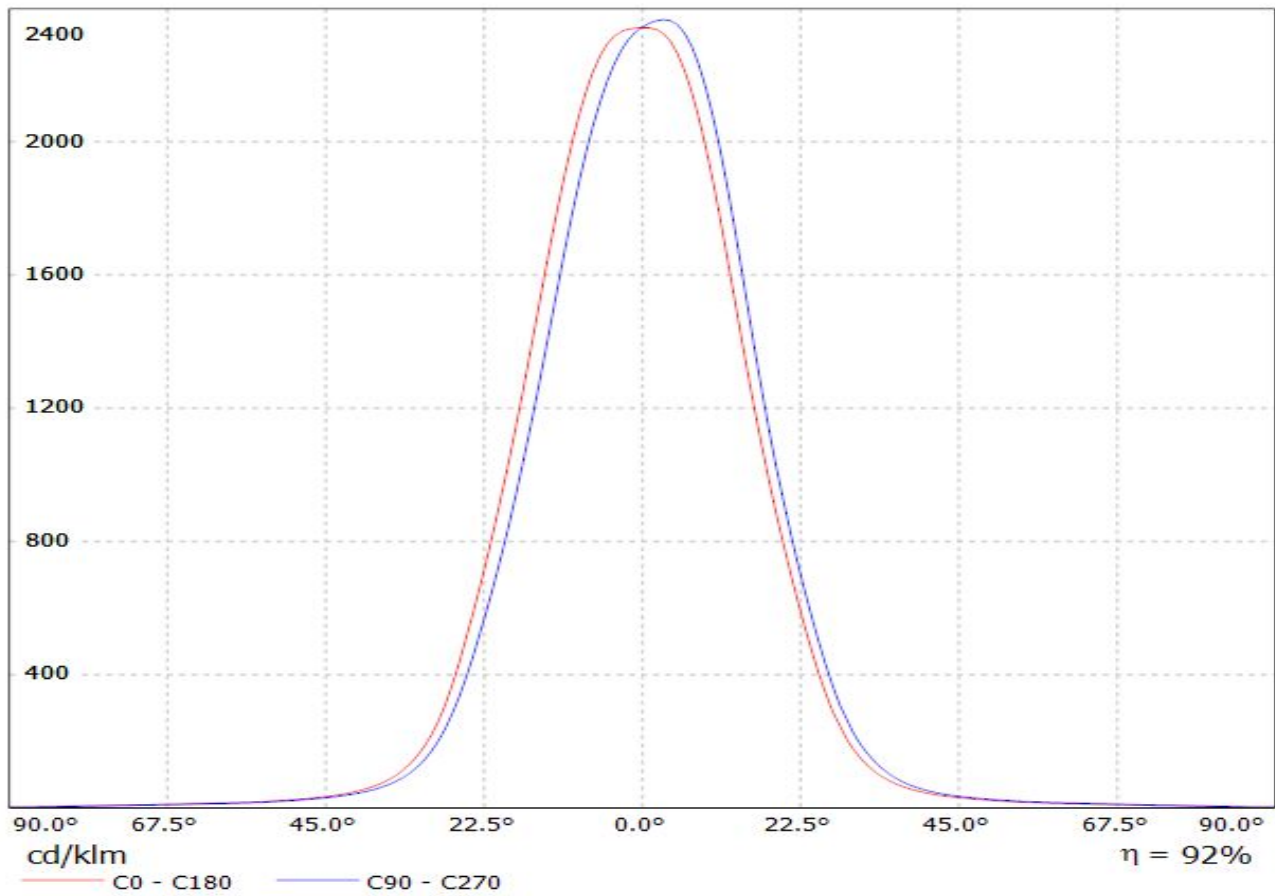
2

2

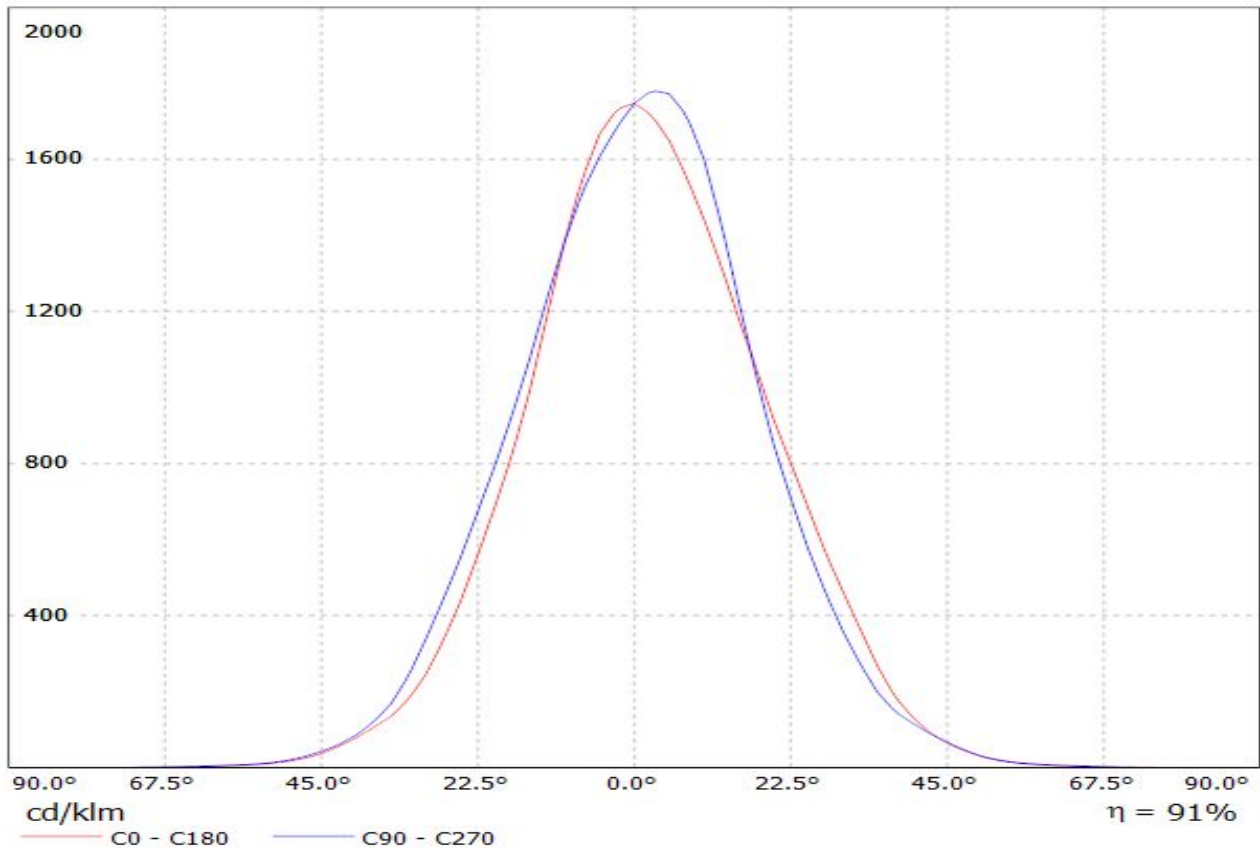
1

1

Luminaire: LEDIL OY C12782_MELODY-4-M (XP-G) Efficiency=92%
Lamps: 1 x XP-G MELODY (267lm @ 250mA)

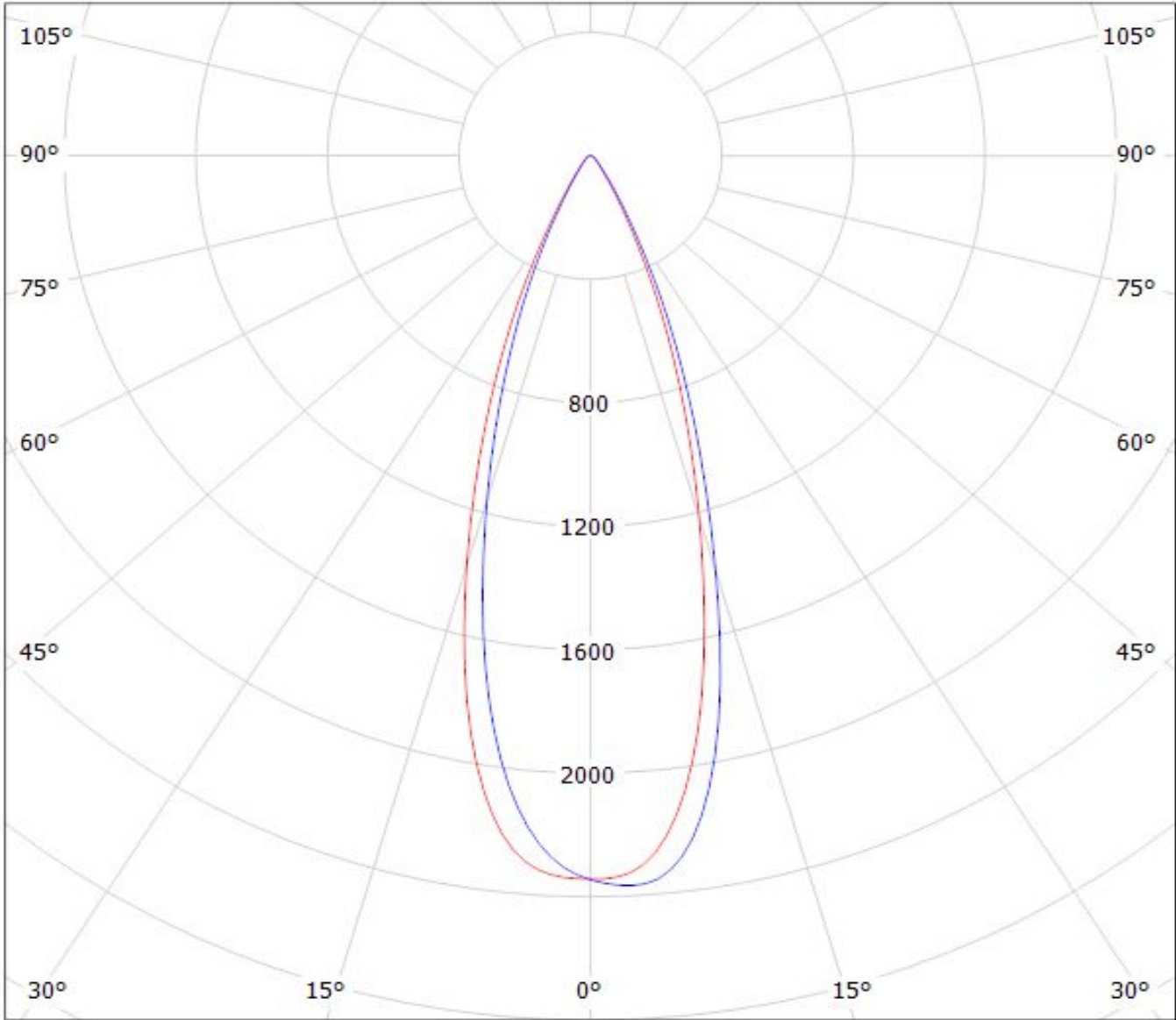


Luminaire: LEDiL C13095_MELODY-3-M_(XP-G) Eff.92%
Lamps: 1 x Cree XP-G (200lm@250mA)



Luminaire: LEDIL OY C12782_MELODY-4-M (XP-G) Efficiency=92%

Lamps: 1 x XP-G MELODY (267lm @ 250mA)



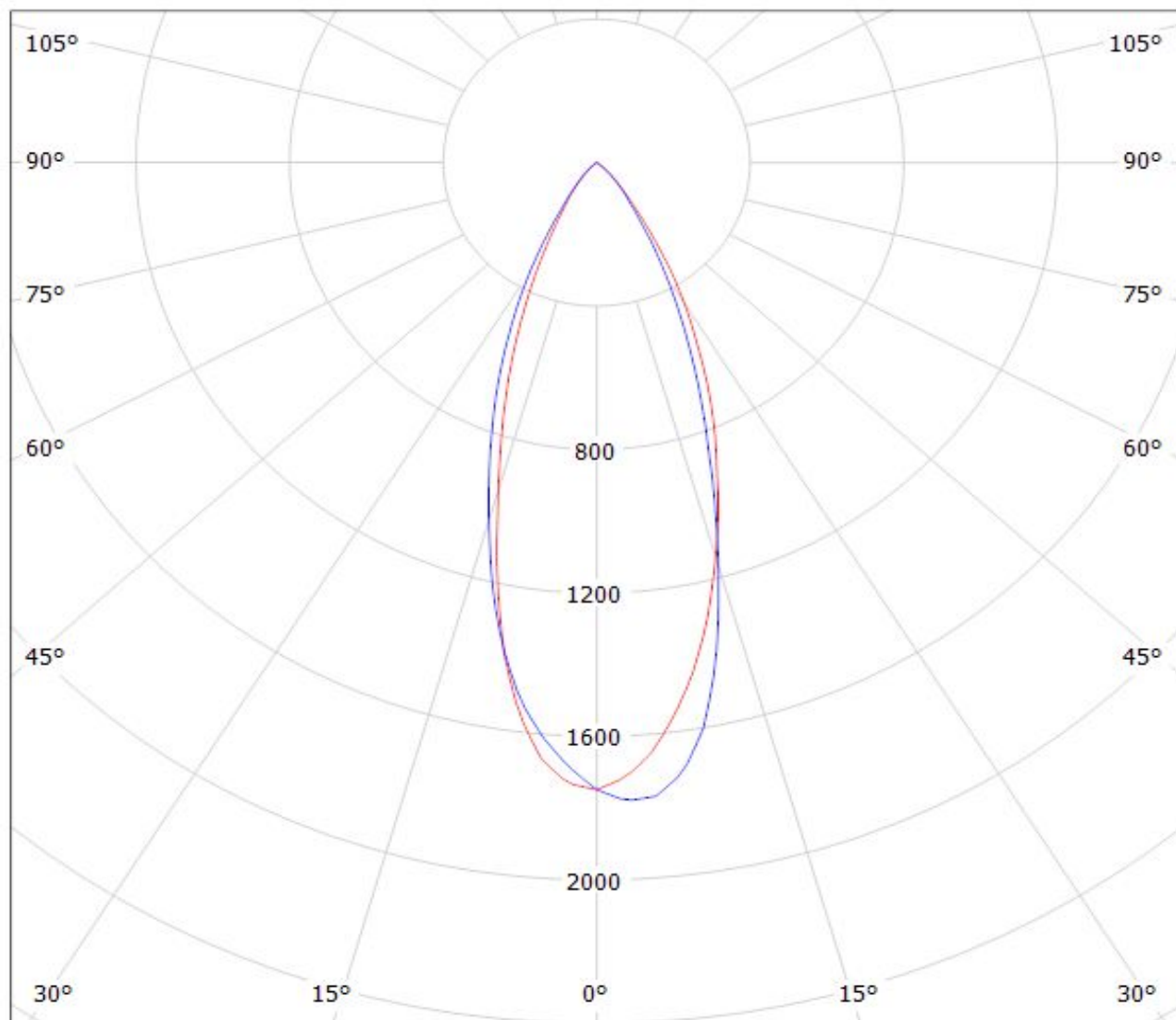
cd/klm

— C0 - C180

— C90 - C270

$\eta = 92\%$

Luminaire: LEDiL C13095_MELODY-3-M_(XP-G) Eff.92%
Lamps: 1 x Cree XP-G (200lm@250mA)



cd/klm

$\eta = 91\%$

— C0 - C180 — C90 - C270