

Panel mounting frames - VS-08-A-RJ45/LP-1-IP67-BK - 1658655


Please be informed that the data shown in this PDF Document is generated from our Online Catalog. Please find the complete data in the user's documentation. Our General Terms of Use for Downloads are valid (<http://phoenixcontact.com/download>)



RJ45 panel mounting frame, IP67, for PCB connection, for square panel cutout, with grommet, without mounting screws, color: black



Key Commercial Data

Packing unit	5 pc
Minimum order quantity	5 pc
GTIN	 4 046356 163194
GTIN	4046356163194
Weight per Piece (excluding packing)	0.960 g
Custom tariff number	85369010
Country of origin	Germany
Note	Made to Order (non-returnable)

Technical data

Mechanical characteristics

Number of slots	1
Insertion/withdrawal cycles	≥ 1000
Color	black
Degree of protection	IP67
Type	RJ45, IP67, version 6

Ambient conditions

Ambient temperature (operation)	-40 °C ... 80 °C
Ambient temperature (assembly)	-5 °C ... 55 °C
Ambient temperature (storage/transport)	-40 °C ... 70 °C

Material data

Flammability rating according to UL 94	V0
Housing material	PA

Panel mounting frames - VS-08-A-RJ45/LP-1-IP67-BK - 1658655

Technical data

Material data

Material	Plastic
Sealing material	NBR
Seal material	NBR
Depth	20 mm
Height	32.5 mm

Electrical characteristics

Degree of pollution	2
---------------------	---

Standards and Regulations

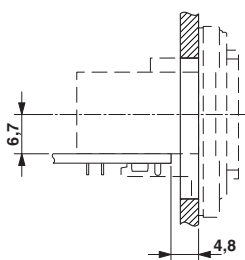
Flammability rating according to UL 94	V0
--	----

Environmental Product Compliance

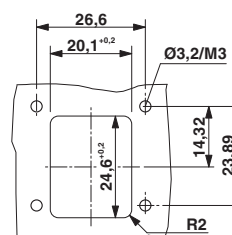
China RoHS	Environmentally friendly use period: unlimited = EFUP-e
	No hazardous substances above threshold values

Drawings

Dimensional drawing



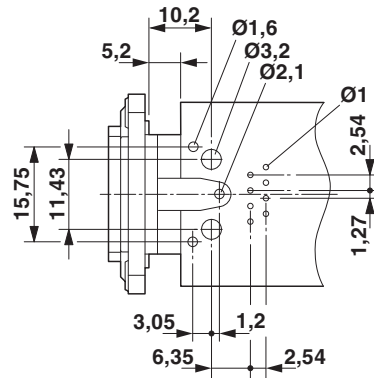
Dimensional drawing



Mounting cutout

Panel mounting frames - VS-08-A-RJ45/LP-1-IP67-BK - 1658655

Drilling diagram



Drilling plan for VS-08-BU-RJ45-6/LH-1

Classifications

eCl@ss

eCl@ss 4.0	27140816
eCl@ss 4.1	27260701
eCl@ss 5.0	27260701
eCl@ss 5.1	27260700
eCl@ss 6.0	27261200
eCl@ss 7.0	27440210
eCl@ss 8.0	27440210
eCl@ss 9.0	27440210

ETIM

ETIM 2.0	EC000764
ETIM 3.0	EC001121
ETIM 4.0	EC002310
ETIM 5.0	EC002310
ETIM 6.0	EC002310

UNSPSC

UNSPSC 6.01	31261501
UNSPSC 7.0901	31261501
UNSPSC 11	31261501
UNSPSC 12.01	31261501

Panel mounting frames - VS-08-A-RJ45/LP-1-IP67-BK - 1658655

Classifications

UNSPSC

UNSPSC 13.2	39121421
-------------	----------

Approvals

Approvals

Approvals

EAC

Ex Approvals

Approval details

EAC		B.01742
-----	--	---------

Accessories

Accessories

Female insert

RJ45 socket insert - VS-08-BU-RJ45-6/LH-1 - 1653087



RJ45 socket insert, type: RJ45, degree of protection: IP20, number of positions: 8, 1 Gbps, CAT5 (IEC 11801:2002), connection method: Solder connection

Protective cover

Protective covers - VS-08-SD-F-BK - 1658066

Protective cover, IP67, flat design, to cover the contact insert in the panel mounting frame, color: black

