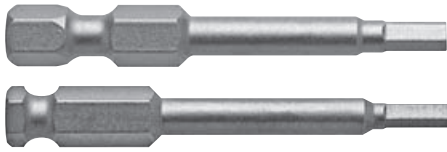
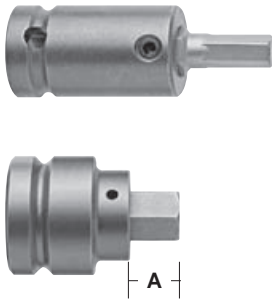


Socket Head Bits cont.



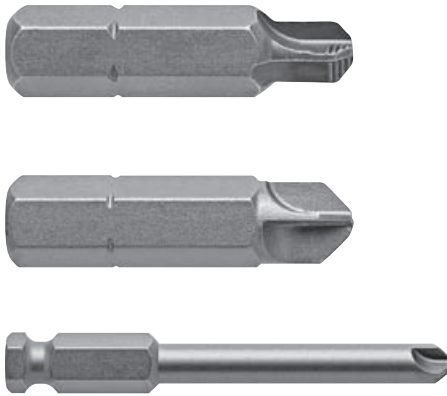
Material Number	Hex Size	Overall Length		Bits per Pack
		in.	mm	
1/4" Hex Insert Bits - Metric				
185-5MM-AU	5mm	1 5/16	33	2
5/16" Hex Insert Bits - Metric				
315-10MM-AU	10mm	1 3/8	35	2
1/4" Hex Power Drive - Metric				
AM-3MM-AU	3mm	1 15/16	49	2
7/16" Hex Power Drive				
AN-08-AU	1/4	3 1/2	89	2

Socket Head Bits with Square Drive Adapters, SAE



Material Number Complete	Mat No Adapter Only	Mat No Insert Only	Hex Size	Overall Length		Length of Insert		Bits per Pack
				in.	mm	in.	mm	
3/8" Square Drive								
SZ-7-AU	SC-314	SZ-7-A	7/64	2 1/4	57	1 3/8	35	1
Material Number Complete	Hex Size	Overall Length in.	Overall Length mm	Length of Insert in.	Length of Insert mm	Bit Length (A)		Bits per Pack
						in.	mm	
3/4" Square Drive								
SZ-34-AU Complete	3/4	2 5/8	67	1 9/16	40	29/32	23	1
SZ-31-A-AU Insert Only	1/2	2 5/8	67	1 9/16	40	29/32	23	1

Torq-Set® Bits



Material Number	Point Size	Overall Length		Bits per Pack
		in.	mm	
1/4" Hex Insert Bits				
212-2-AU	2	1	25	2
212-4-AU	4	1	25	2
212-6-AU	6	1	25	2
212-8-AU	8	1	25	2
212-10-AU	10	1	25	2
212-1/4-AU	1/4	1	25	2
5/16" Hex Insert Bits				
212-10A-AU	10	1 1/4	32	2
212-1/4A-AU	1/4	1 1/4	32	2
212-5/16A-AU	5/16	1 1/4	32	2
212-3/8A-AU	3/8	1 1/4	32	2
7/16" Hex Power Drive				
170-1/4-AU	1/4	1 1/4	32	2

Tri-Wing®



Material Number	Recess Size	Screw Size Tension Head	Screw Size Shear Head	Overall Length		Bits per Pack
				in.	mm	
1/4" Hex Insert Bits						
TWD-1-AU	1	2-56	4-40	1	25	1
TWD-2-AU	2	4-40	6-32	1	25	1
TWD-3-AU	3	6-32	8-32	1	25	1
TWD-4-AU	4	8-32	10-32	1	25	1
TWD-5-AU	5	10-32	1/4-28	1	25	1
TWD-6-AU	6	1/4	5/16	1	25	1
5/16" Hex Insert Bits						
TWE-5-AU	5	10-32	1/4-28	1 1/4	32	1
1/4" Hex Power Drive						
TW-4-AU	4	8-32	10-32	1 1/4	32	1
TW-5-AU	5	10-32	1/4-28	1 1/4	32	1
TWB-6-AU	6	1/4-28	5/16-24	1 1/2	38	1
TWB-7-AU	7	5/16-24	3/8-24	1 1/2	38	1
TWB-8-AU	8	3/8-24	7/16-20	1 1/2	38	1

Packs cannot be broken. Pricing is per Pack Qty.