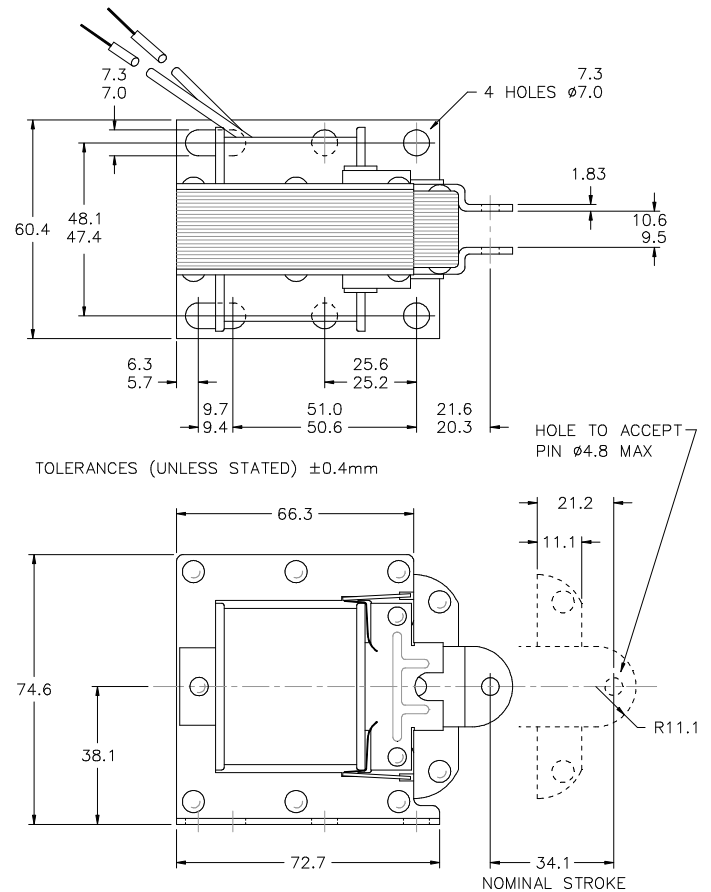


## AC Laminated Series

### Model TT10 (SD119)

- High Force / Small Size
- Fast Response Time
- Rugged Design for Long Life
- Varnish Impregnated Coil
- Brass Guides
- Copper Shading Rings
- Optional Flying Leads
- Various Voltages and Frequencies
- Optional Encapsulated Coil



Magnet force–stroke curve for bottom nameplate voltage and solenoid temperature of 90°C.

VA–stroke curve for top nameplate voltage, 20°C ambient.

If plunger works with gravity:

stroke force = magnet force + plunger weight force.

If plunger works against gravity:

stroke force = magnet force – plunger weight force.

