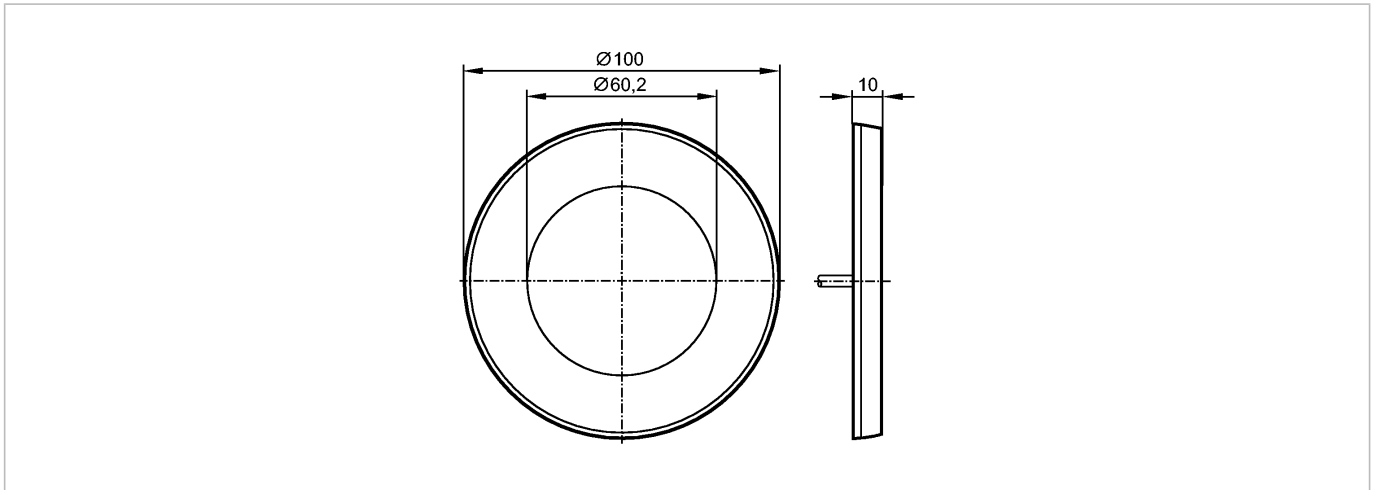


E80374

RED COVER RING FOR KT

Accessories



Made in Germany

Product characteristics

Coloured surround

Mechanical data

Design	for type KT
Housing materials	polycarbonate-ABS Red
Weight [kg]	0.033

Remarks

Pack quantity [piece]	2
-----------------------	---