

# Printed-circuit board connector - MSTBC 2,5/20-STZFD-5,08 - 1809459

Please be informed that the data shown in this PDF Document is generated from our Online Catalog. Please find the complete data in the user's documentation. Our General Terms of Use for Downloads are valid (<http://phoenixcontact.com/download>)


Plug component, Nominal current: 12 A, Rated voltage (III/2): 320 V, Number of positions: 20, Pitch: 5.08 mm, Connection method: Crimp connection, Color: green, Mounting: Direct mounting, Corresponding female crimp contacts with current [A] and conductor cross section range [mm²] data: 10A/MSTBC-MT 0,5-1,0 (3190564); 10A/MSTBC-MT 0,5-1,0 BA (3190645); 12A/MSTBC-MT 1,5-2,5 (3190551); 12A/MSTBC-MT 1,5-2,5 BA (3190658). BA = Bandkontakte



The illustration shows a 15-position version



## Key commercial data

|                                      |                                                                                                         |
|--------------------------------------|---------------------------------------------------------------------------------------------------------|
| Packing unit                         | 50 pc                                                                                                   |
| GTIN                                 | <br>4 017918 047597 |
| Weight per Piece (excluding packing) | 12.0 g                                                                                                  |
| Custom tariff number                 | 85472000                                                                                                |
| Country of origin                    | Poland                                                                                                  |
| Note                                 | Made to Order (non-returnable)                                                                          |

## Technical data

### Dimensions

|             |          |
|-------------|----------|
| Height      | 10.7 mm  |
| Pitch       | 5.08 mm  |
| Dimension a | 96.52 mm |

### General

|                                  |                    |
|----------------------------------|--------------------|
| Range of articles                | MSTBC 2,5/..-STZFD |
| Insulating material group        | I                  |
| Rated surge voltage (III/3)      | 4 kV               |
| Rated surge voltage (III/2)      | 4 kV               |
| Rated surge voltage (II/2)       | 4 kV               |
| Rated voltage (III/3)            | 320 V              |
| Rated voltage (III/2)            | 320 V              |
| Rated voltage (II/2)             | 630 V              |
| Connection in acc. with standard | EN-VDE             |
| Nominal current I <sub>N</sub>   | 12 A               |

# Printed-circuit board connector - MSTBC 2,5/20-STZFD-5,08 - 1809459

## Technical data

### General

|                                         |                                                         |
|-----------------------------------------|---------------------------------------------------------|
| Nominal cross section                   | 2.5 mm <sup>2</sup>                                     |
| Maximum load current                    | 12 A (with 2.5 mm <sup>2</sup> conductor cross section) |
| Insulating material                     | PA                                                      |
| Inflammability class according to UL 94 | V0                                                      |
| Number of positions                     | 20                                                      |

### Connection data

|                                        |                     |
|----------------------------------------|---------------------|
| Conductor cross section stranded min.  | 0.5 mm <sup>2</sup> |
| Conductor cross section stranded max.  | 2.5 mm <sup>2</sup> |
| Conductor cross section AWG/kcmil min. | 20                  |
| Conductor cross section AWG/kcmil max  | 14                  |
| Minimum AWG according to UL/CUL        | 20                  |
| Maximum AWG according to UL/CUL        | 14                  |

## Classifications

### eCl@ss

|            |          |
|------------|----------|
| eCl@ss 4.0 | 272607xx |
| eCl@ss 4.1 | 27260701 |
| eCl@ss 5.0 | 27260701 |
| eCl@ss 5.1 | 27260701 |
| eCl@ss 6.0 | 27260704 |
| eCl@ss 7.0 | 27440402 |
| eCl@ss 8.0 | 27440309 |

### ETIM

|          |          |
|----------|----------|
| ETIM 3.0 | EC001121 |
| ETIM 4.0 | EC002638 |
| ETIM 5.0 | EC002638 |

### UNSPSC

|               |          |
|---------------|----------|
| UNSPSC 6.01   | 30211810 |
| UNSPSC 7.0901 | 39121409 |
| UNSPSC 11     | 39121409 |
| UNSPSC 12.01  | 39121409 |
| UNSPSC 13.2   | 39121409 |

## Approvals

### Approvals

# Printed-circuit board connector - MSTBC 2,5/20-STZFD-5,08 - 1809459

## Approvals

Approvals

CSA / UL Recognized / VDE Gutachten mit Fertigungsüberwachung / cUL Recognized / IECCEB CB Scheme / CCA / cULus Recognized

Ex Approvals

Approvals submitted

## Approval details

|                                |       |
|--------------------------------|-------|
| CSA                            |       |
| mm <sup>2</sup> /AWG/kcmil     | 20-14 |
| Nominal current I <sub>N</sub> | 10 A  |
| Nominal voltage U <sub>N</sub> | 300 V |

|                                |       |       |
|--------------------------------|-------|-------|
| UL Recognized                  |       |       |
|                                | B     | D     |
| mm <sup>2</sup> /AWG/kcmil     | 20-14 | 20-14 |
| Nominal current I <sub>N</sub> | 10 A  | 10 A  |
| Nominal voltage U <sub>N</sub> | 250 V | 300 V |

|                                         |         |
|-----------------------------------------|---------|
| VDE Gutachten mit Fertigungsüberwachung |         |
| mm <sup>2</sup> /AWG/kcmil              | 0.5-1.0 |
| Nominal current I <sub>N</sub>          | 10 A    |
| Nominal voltage U <sub>N</sub>          | 250 V   |

|                                |       |       |
|--------------------------------|-------|-------|
| cUL Recognized                 |       |       |
|                                | B     | D     |
| mm <sup>2</sup> /AWG/kcmil     | 20-14 | 20-14 |
| Nominal current I <sub>N</sub> | 10 A  | 10 A  |
| Nominal voltage U <sub>N</sub> | 250 V | 300 V |

# Printed-circuit board connector - MSTBC 2,5/20-STZFD-5,08 - 1809459

## Approvals

|                                |         |
|--------------------------------|---------|
| IECEE CB Scheme                |         |
| mm <sup>2</sup> /AWG/kcmil     | 0.5-1.0 |
| Nominal current I <sub>N</sub> | 10 A    |
| Nominal voltage U <sub>N</sub> | 250 V   |

|                                |         |
|--------------------------------|---------|
| CCA                            |         |
| mm <sup>2</sup> /AWG/kcmil     | 0.5-1.0 |
| Nominal current I <sub>N</sub> | 10 A    |
| Nominal voltage U <sub>N</sub> | 250 V   |

|                  |  |
|------------------|--|
| cULus Recognized |  |
|------------------|--|

## Accessories

### Accessories

#### Coding element

Coding profile - CP-MSTB - 1734634

Coding profile, is inserted into the slot on the plug or inverted header, red insulating material



#### Crimp contact

Accessories - MSTBC-MT 0,5-1,0 - 3190564



Module female contact, is inserted into the plug housing MSTBC after crimping the conductor, for conductors from 0.5 to 1.0 mm<sup>2</sup>

## Printed-circuit board connector - MSTBC 2,5/20-STZFD-5,08 - 1809459

### Accessories

#### Accessories - MSTBC-MT 0,5-1,0 BA - 3190645



Module female contact, is inserted into the MSTBC connector shell after the conductor has been crimped, for conductors from 0.5 - 1.0 mm<sup>2</sup>, ribbon contact

---

#### Accessories - MSTBC-MT 1,5-2,5 - 3190551



Module female contact, is inserted into the plug housing MSTBC after crimping the conductor, for conductors from 1.5 to 2.5 mm<sup>2</sup>

---

#### Female insert - MSTBC-MT 1,5-2,5 BA - 3190658



Module female contact, is inserted into the MSTBC connector shell after the conductor has been crimped, for conductors from 1.5 - 2.5 mm<sup>2</sup>, ribbon contact

---

### Crimping tool

#### Crimping pliers - CRIMPFOX MT 2,5 - 1204038



Crimping pliers, for crimping conductors to the module female contacts STG-MTN, crimp range: 0.5-2.5 mm<sup>2</sup>, AWG: 20-14

---

### Labeled terminal marker

#### Marker card - SK 5,08/3,8:FORTL.ZAHLEN - 0804293



Marker card, Card, white, labeled, Horizontal: Consecutive numbers 1 - 10, 11 - 20, etc. up to 91 - (99)100, Mounting type: Adhesive, for terminal block width: 5.08 mm, Lettering field: 5.08 x 3.8 mm

---

### Screwdriver tools

## Printed-circuit board connector - MSTBC 2,5/20-STZFD-5,08 - 1809459

### Accessories

Screwdriver - SZS 0,4X2,5 VDE - 1205037



Screwdriver, slot-headed, VDE insulated, size: 0.4 x 2.5 x 80 mm, 2-component grip, with non-slip grip

---

Strain relief - STZ 2-MSTBC-5,08 - 1810529



Strain relief for snapping into the latching chambers of the plug components, 2-pos., labeling with ZB 6

---

Strain relief - STZ 4-MSTBC-5,08 - 1810532

Strain relief for snapping into the latching chambers of the plug components, 4-pos., labeling with ZB 6

---

Strain relief - STZ 8-MSTBC-5,08 - 1810516

Strain relief for snapping into the latching chambers of the plug components, 8-pos., labeling with ZB 6

---

Strain relief - STZ 12-MSTBC-5,08 - 1810503

Strain relief for snapping into the latching chambers of the plug components, 12-pos., labeling with ZB 6

---

Accessories - MSTBC-MT 0,2-0,5 - 1879531



Module socket contact, is inserted into the plug housing MSTBC after crimping the conductor, for conductors from 0.2 to 0.5 mm<sup>2</sup>

---

## Printed-circuit board connector - MSTBC 2,5/20-STZFD-5,08 - 1809459

### Accessories

Accessories - MSTBC-MT 0,2-0,5 BAND - 1879544



Module socket contact, is inserted into the plug housing MSTBC after crimping the conductor, for conductors from 0.2 to 0.5 mm<sup>2</sup>

---

### Additional products

Printed-circuit board connector - ICC 2,5/20-STZF-5,08 - 1823561



Plug component, Nominal current: 12 A, Rated voltage (III/2): 320 V, Number of positions: 20, Pitch: 5.08 mm, Connection method: Crimp connection, Color: green, Corresponding male crimp contacts with current [A] and conductor cross section range [mm<sup>2</sup>] data: 10A/ICC-MT 0,5-1,0 (3190577); 10A/ICC-MT 0,5-1,0 BA (3190603); 12A/ICC-MT 1,5-2,5 (3190580); 12A/ICC-MT 1,5-2,5 BA (3190593). BA = Bandkontakte

---

Printed-circuit board connector - IC 2,5/20-STF-5,08 - 1825491



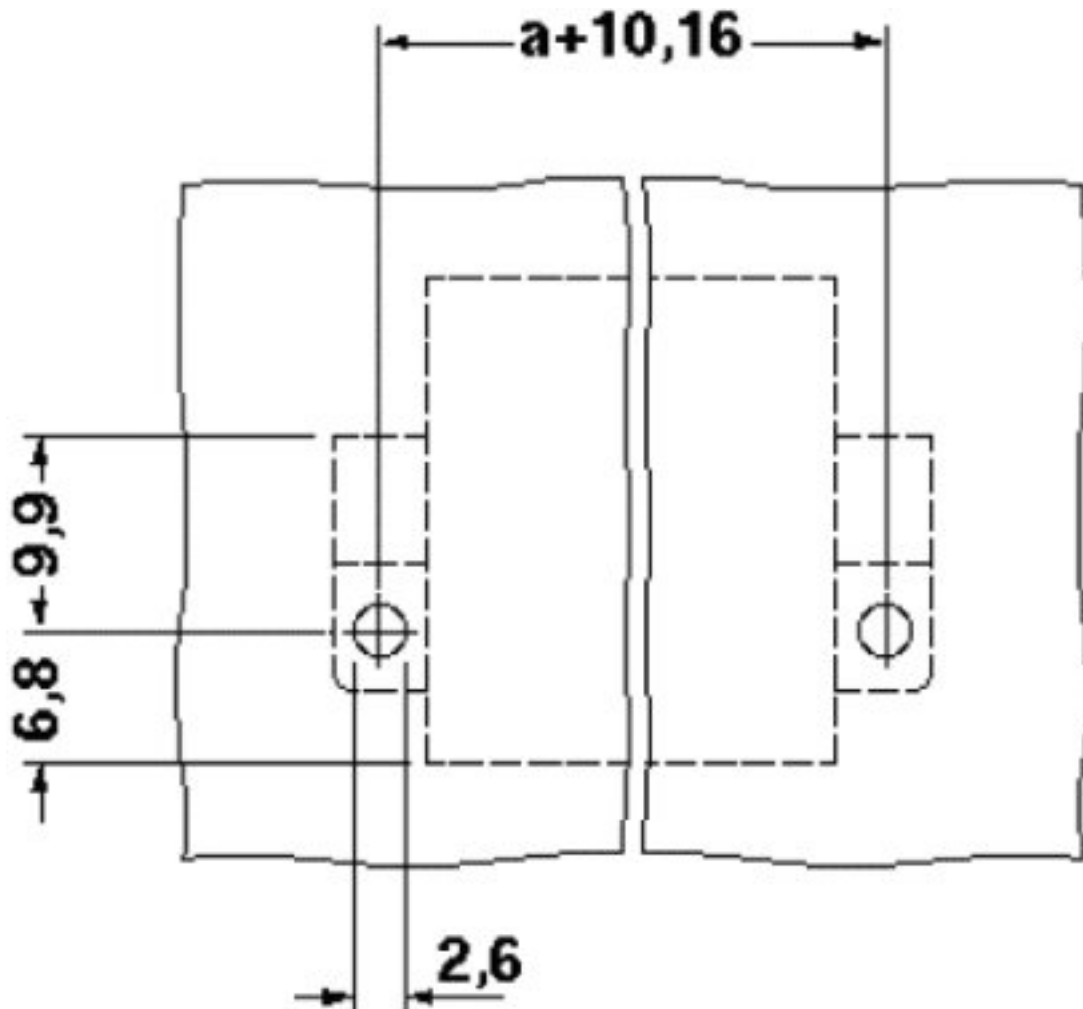
Plug component, Nominal current: 12 A, Rated voltage (III/2): 320 V, Number of positions: 20, Pitch: 5.08 mm, Connection method: Screw connection, Color: green, Contact surface: Tin

---

### Drawings

# Printed-circuit board connector - MSTBC 2,5/20-STZFD-5,08 - 1809459

Drilling diagram



Dimensioned drawing

