

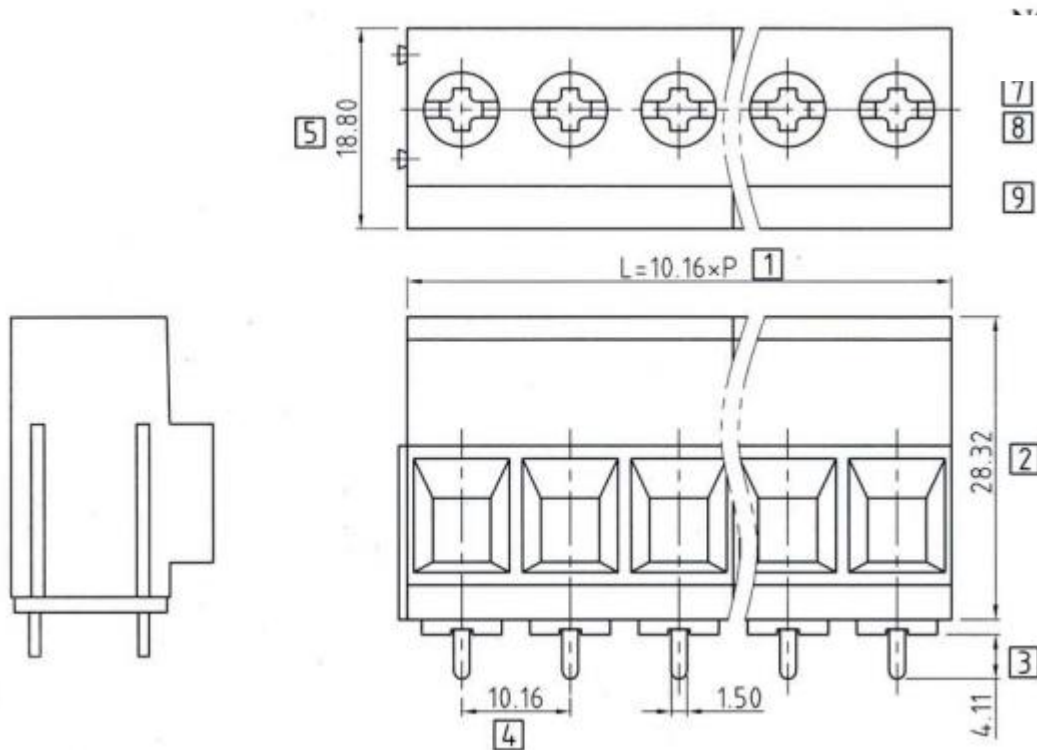
Datasheet

New 10.16mm Rising Clamp TB 50A@600V

RS Stock 874-5436



Dimensions: (mm)





Specifications

- Rated Voltage: 600V 50A
- Insulation Resistance: $\geq 500\Omega M$ or more at DC500V
- Withstanding Voltage: AC 2000V/1 min
- Temperature Range: $-40^{\circ}C \sim +105^{\circ}C$
- Screw Torque: 1.2N.m
- Suitable Electric Wire: 6-18AWG

Materials

- Housing: PA66 / UL94V-0
- Block: Brass / Ni Plated
- Solder pin: Brass / Sn Plated
- Screw: Steel / Zn Plated

DIM	2	3	4	5	6	7	8	9	10	11	12	13	14	15	16	17	18	19	20	21	22	23	24
L	20.32	30.48	40.64	50.80	60.96	71.12	81.28	91.44	101.60	111.76	121.92	132.08	142.24	152.40	162.56	172.72	182.88	193.04	203.20	213.36	223.52	233.68	243.84
TOL(±)	0.10	0.15	0.20	0.25	0.30	0.36	0.41	0.46	0.51	0.56	0.61	0.66	0.71	0.76	0.81	0.86	0.91	0.97	1.02	1.07	1.12	1.17	1.22

PICH ERROR	Nominal dimension rage in mm					radius	chamfer	short angle side			/	≡	-	□	//			
	0.5	over 3	over 6	over 30	over 120	0.5	over 3	over 6	over 10	over 50						over 120		
±0.05/10	to 3	to 6	to 30	to 120	to 480	to 3	to 6	to 30	10	50	120	all	all	5	30	120		
	to 6	to 30	to 120	to 480	to 3	to 6	to 30	10	50	120	400			to 30	to 120	to 400		
	±0.1	±0.15	±0.2	±0.3	±0.5	±0.2	±0.5	1	1'	30'	20'	10'	0.2	0.5	0.025	0.06	0.12	0.4