

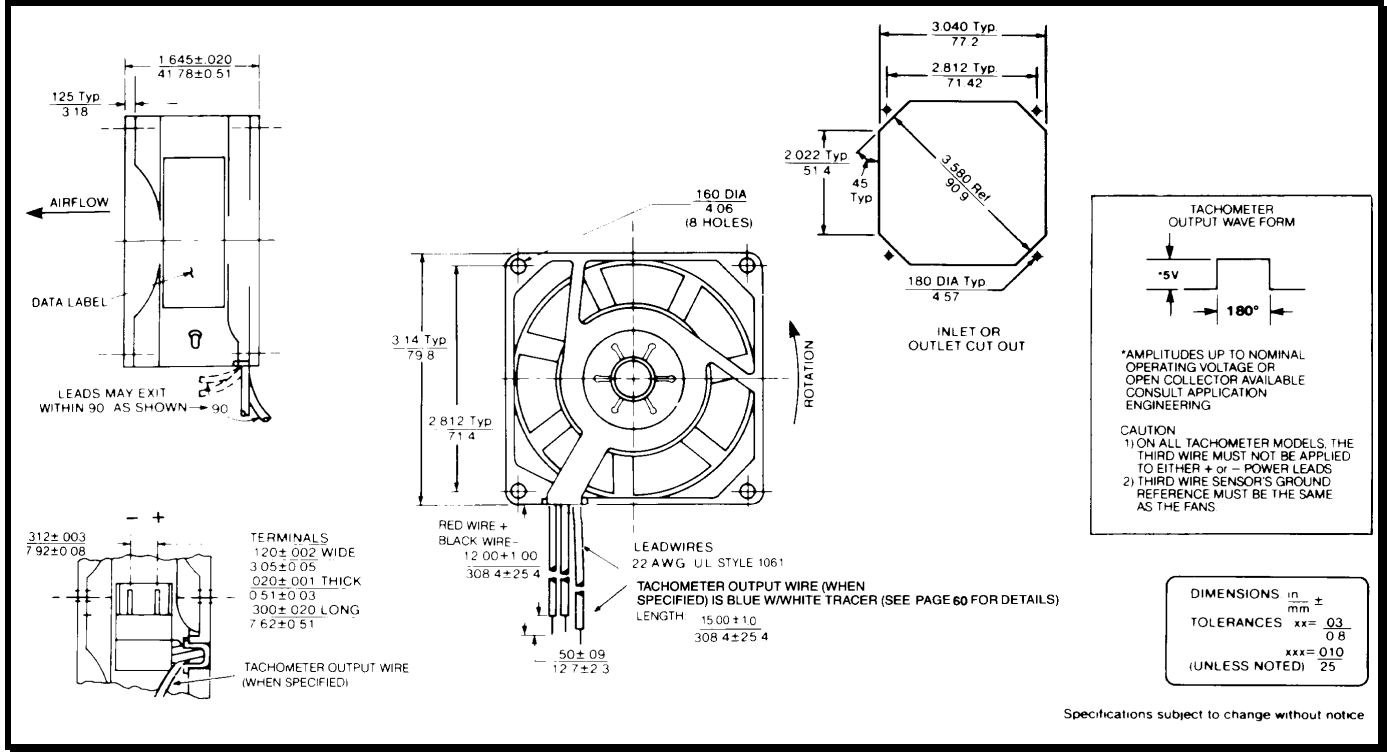
SPECIFICATIONS



Model Number: SD24B1
Part Number: 19028934A

Apr. 01, 2016

Mechanical Drawing:



Motor:

Nominal Voltage = 24 vdc
 Operating Voltage Range = 12 – 28 vdc
 Nominal Running Current = 0.130 amps
 Locked Rotor Current = 0.600 amps
 Running Power = 3.0 watts
 Average Speed = 3500
 Bearings = Ball
 Air Flow = 35 CFM
 Acoustic = 47.6 dBA

Construction:

Venturi: One Piece Die-Cast Zinc Alloy, Black
 Propeller: Plastic, Black, UL 94V-0

Life Expectancy:

This fan is designed for continuous duty life of 83,000 hours at 40°C.

Additional Features:

Brushless DC Motor
 Locked Rotor Protection
 Polarity Protected
 Automatic Restart Capability
 Operating Temperature: -10°C to 70°C
 Storage Temperature: -40°C to 85°C

Termination:

12" Lead wires, AWG 22, UL 1061
 Red = Power (+)
 Black = Return (-)

Agency Approvals:

UL