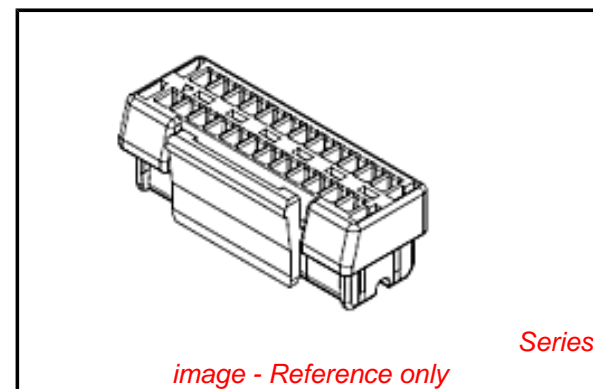


PLEASE CHECK WWW.MOLEX.COM FOR LATEST PART INFORMATION

Part Number: [504186-1600](#)
Status: **Active**
Overview: Micro-Lock™ Connectors
Description: Micro-Lock™ 1.25mm Pitch Dual-Row Crimp Housing, White, 16 Circuits

Documents:

| | |
|---|---|
| 3D Model | Application Specification AS-504186-002 (PDF) |
| Drawing (PDF) | Packaging Specification SPK-504186-001 (PDF) |
| Product Specification PS-504186-001 (PDF) | RoHS Certificate of Compliance (PDF) |
| Application Specification AS-504186-001 (PDF) | |



General

| | |
|----------------|-------------------------------|
| Product Family | Crimp Housings |
| Series | 504186 |
| Application | Wire-to-Board |
| Overview | <u>Micro-Lock™ Connectors</u> |
| Product Name | Micro-Lock™ |
| UPC | 887191334479 |

Physical

| | |
|-------------------------------|----------------|
| Circuits (maximum) | 16 |
| Color - Resin | White |
| Gender | Female |
| Glow-Wire Compliant | No |
| Lock to Mating Part | Yes |
| Material - Resin | Polyester |
| Net Weight | 262.754/mg |
| Number of Rows | 2 |
| Packaging Type | Tray |
| Panel Mount | No |
| Pitch - Mating Interface | 1.25mm |
| Pitch - Termination Interface | 1.25mm |
| Polarized to Mating Part | Yes |
| Temperature Range - Operating | -25°C to +85°C |

Electrical

| | |
|-------------------------------|------|
| Current - Maximum per Contact | 1.5A |
|-------------------------------|------|

Material Info

Reference - Drawing Numbers

| | |
|---------------------------|-------------------------------|
| Application Specification | AS-504186-001, AS-504186-002 |
| Packaging Specification | SPK-504186-001 |
| Product Specification | PS-504186-001, RPS-504186-001 |
| Sales Drawing | SD-504186-001 |

EU RoHS

ELV and RoHS Compliant
REACH SVHC
Contains SVHC: No
Low-Halogen Status
Not Low-Halogen

China RoHS



Need more information on product environmental compliance?

Email productcompliance@molex.com
 For a multiple part number RoHS Certificate of Compliance, [click here](#)

Please visit the [Contact Us](#) section for any non-product compliance questions.

Search Parts in this Series

[504186Series](#)

Mates With

Micro-Lock™ 1.25mm Pitch Header [504187](#), [504189](#)

Use With

Micro-Lock™ Wire-to-Board Crimp Terminal [504185-1000](#)