

Main

Range of product	Harmony XAP
Product or component type	Die-cast empty control station
Device short name	XAPM
Product destination	For Ø 22 mm control and signalling units
Product front plate size	85 x 310 mm
Usable depth	74.5 mm
Number of cut-out	12 cut-outs
Colour of base of enclosure	Blue
Colour of cover	Blue
Material	Aluminium alloy
Cable entry	1 hole without blanking plug for cable gland with ≤ 24 mm
Product mounting	Flush mounting
IP degree of protection	IP69 conforming to NF C 20-010 IP65 conforming to IEC 60529 IP69K

Complementary

Number of vertical rows	2
Product weight	0.79 kg

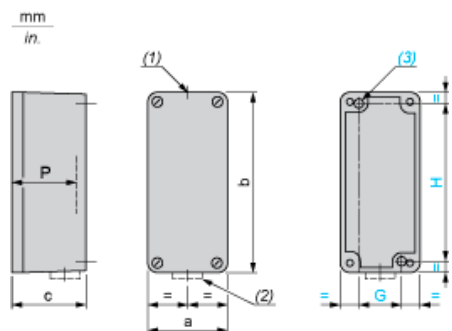
Environment

Protective treatment	TC
Ambient air temperature for storage	-40...70 °C
Ambient air temperature for operation	-40...70 °C
Electrical shock protection class	Class I conforming to IEC 60536 Class I conforming to NF C 20-030

Contractual warranty

Warranty period	18 months
-----------------	-----------

Dimensions and Fixing

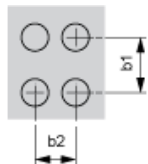


- (1) 1 hole, without blanking plug, for cable gland with 24 mm/0.94 in. maximum clamping capacity
- (3) 2 x Ø 5.6 mm/0.22 in. holes, depth 20 mm/0.78 in.
- P Usable depth

a		b		c		G		H		P	
mm	in.	mm	in.	mm	in.	mm	in.	mm	in.	mm	in.
85	3.35	310	12.20	77	3.03	55	2.17	295	11.61	74.5	2.93

Refer to the product characteristics to get the number of cut-outs.

Cut-out interaxis dimensions (vertical mounting)



- b1 Vertical interaxis: 40 mm/1.57 in.
- b2 Horizontal interaxis: 30 mm/1.18 in.