

4

3

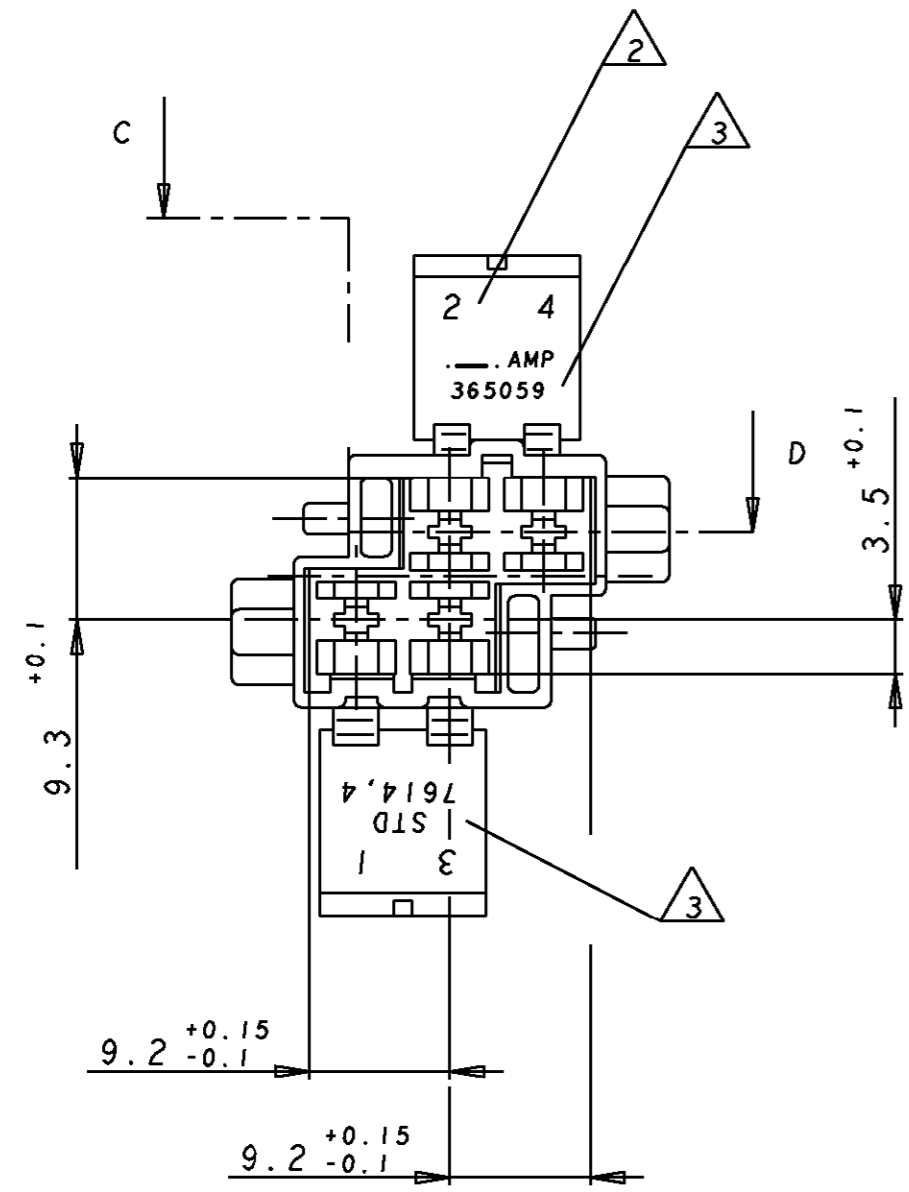
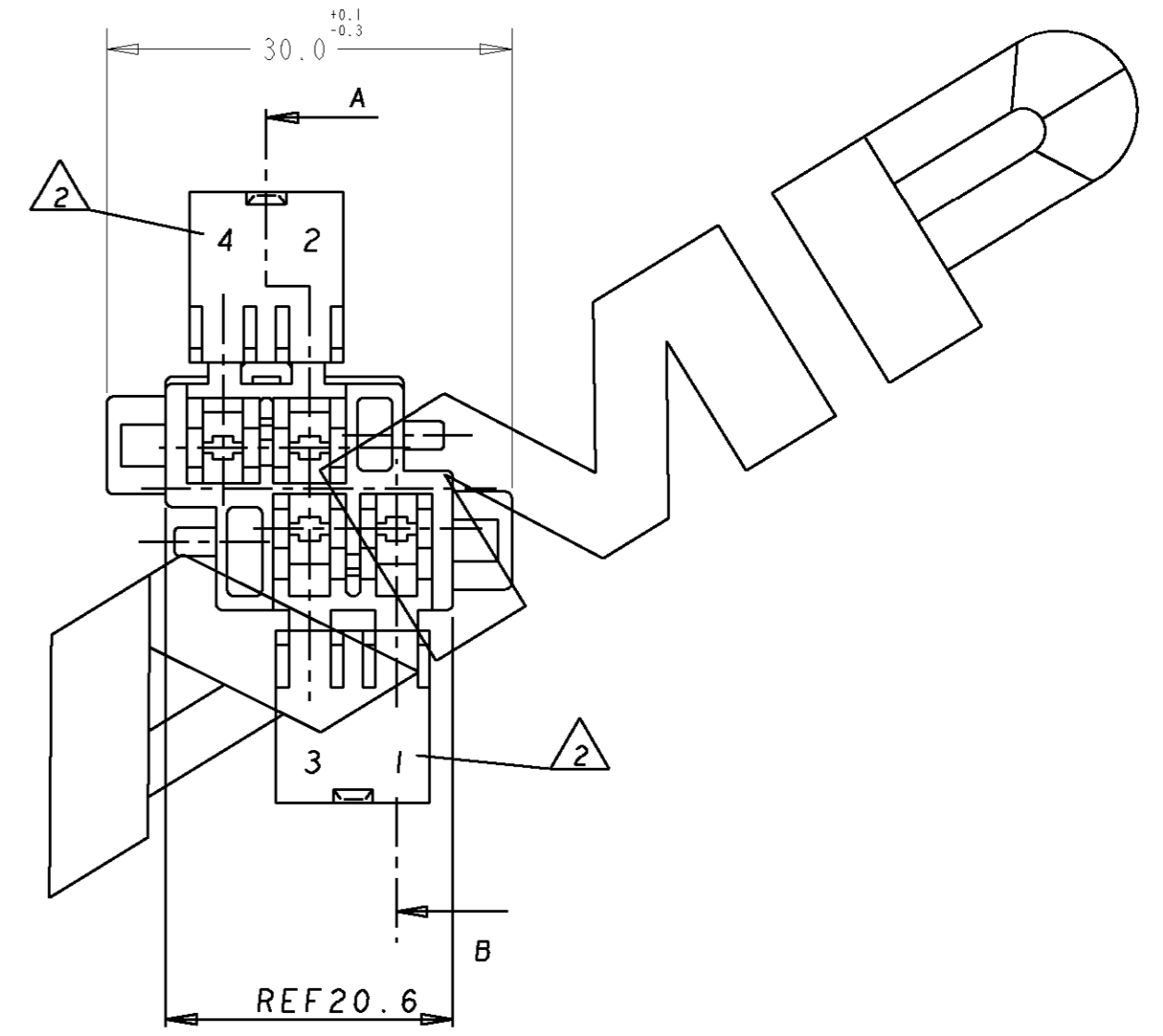
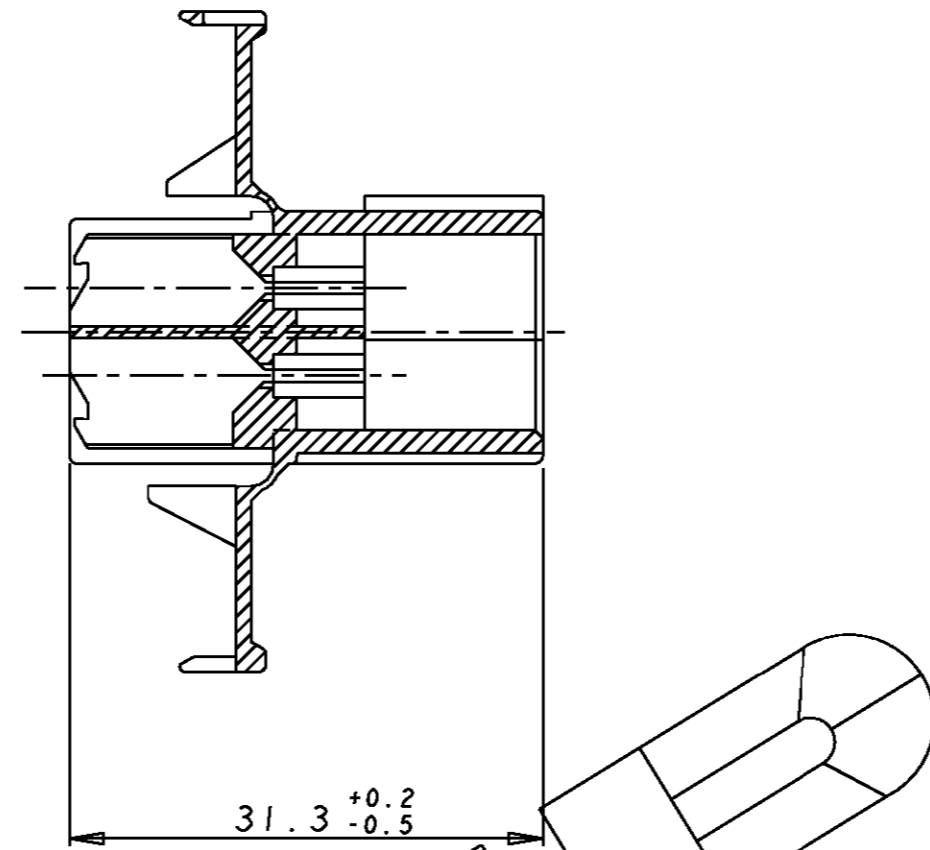
2

1

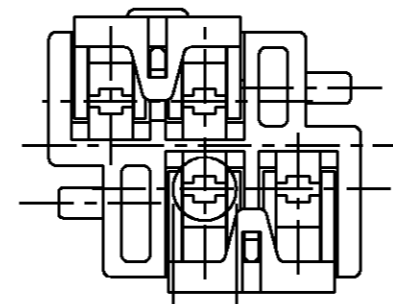
CAD-Original

Index	Description	Date	Name
A	REDRAWN	21.02.85	ULLRICH
B	CONTOUR AND DIMENSION	15.1.86	M.KLAUTKE
C	REDRAWN	24 JUL 87	H. BOUDA
D	DIM 31.3 $\pm 0.2$ WAS 31.3 -0.5	18 OCT 88	W. PFEFFER
E	TRANSFERRED TO AMPES PER EC ES00-1753-93	15-6-93	J. PASCUAL
F	ADDED DIM 30.0 $\pm 0.17$ -0.3 SEE EC ES00-0020-96	6-03-96	J. PEREZ
G	SEE EC ES00-0023-03	10-2-03	A. HERRANZ

SECCION SECTION A-B

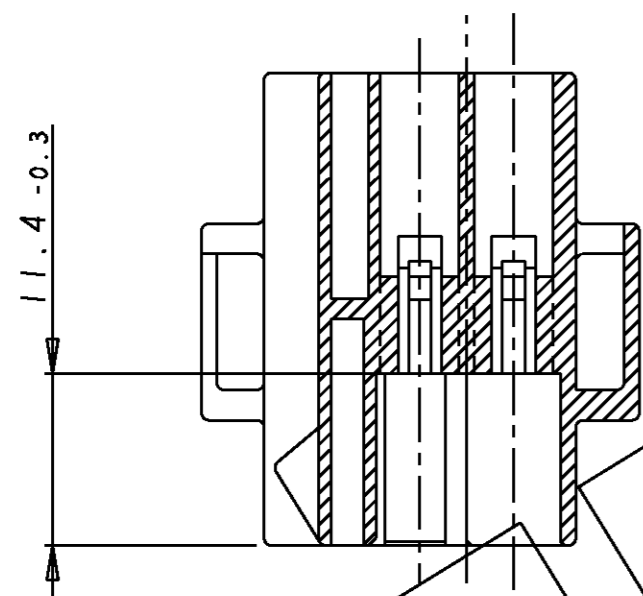


DETALLE CAJA CON BISAGRA CERRADA HOUSING WITH CLOSED FLAP



u 4.2 INSULATION AISLANTE

SECCION SECTION C-D



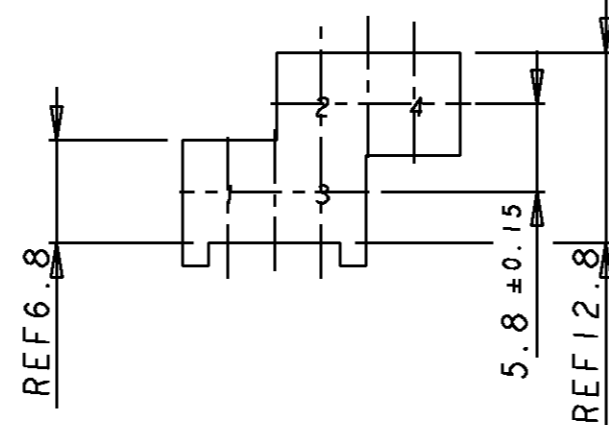
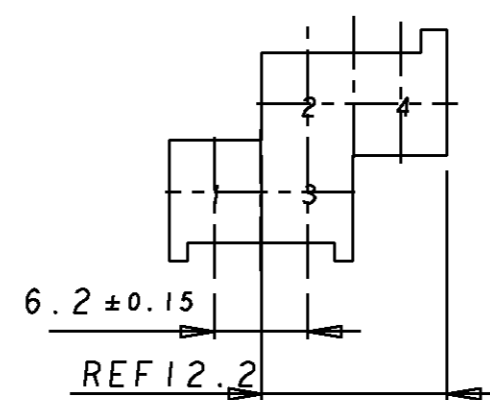
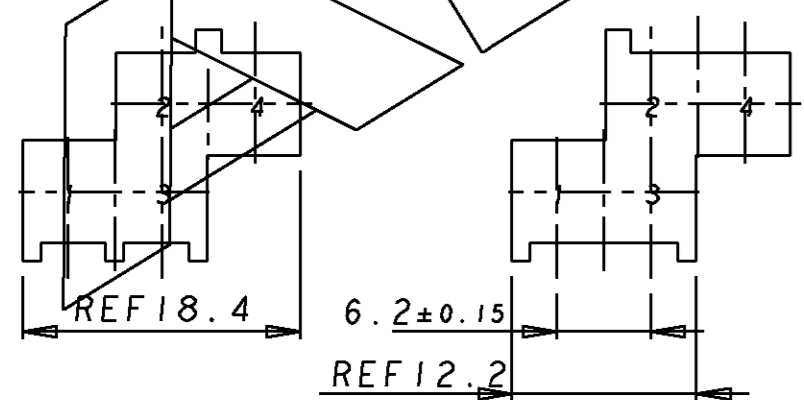
- MATERIAL Y COLORES HAN DE ESTAR LIBRES DE CADMIUM
- MATERIAL AND COLORS ARE FREE OF CADMIUM
- ALTURA LETRA 2 CHARACTER HEIGHT 2
- ALTURA LETRA 1 CHARACTER HEIGHT 1
- USAR CON 365060
- FITTING WITH 365060
- LAS PIEZAS DEBEN IR EMPAQUETADAS HERMETICAMENTE Y SU CONTENIDO DE HUMEDAD DEBE SER 2.5 $\pm$ 1%
- PARTS MUST BE AIR TIGHT PACKAGED, MOISTURE CONTENT MUST BE 2.5 $\pm$ 1%

CODIGO 1 CODING

CODIGO 2 CODING

CODIGO 3 CODING

CODIGO 4 CODING



CUSTOMER DWG

Code NO.	Part Number	Material	Finish Colour	GENERAL TOLERANCES $\pm 0.2$ $\pm 1"$	Forma	DWG NO.
CODE 4	365059-4	PA 6.6	YELLOW	SCALE 2:1	C	365059
CODE 3	365059-3	PA 6.6	BLACK			
CODE 2	365059-2	PA 6.6	GREY			
CODE 1	365059-1	PA 6.6	NATUR			
DR	22.11.84	CHK 15-6-93	APP 15-6-93	SCALE 2:1	REV. DWG : G	SHEET 1 OF 1
	R.ULLRICH	J.PASCUAL	L.BATLLO			

AMP ESPAÑOLA, S.A. BARCELONA - SPAIN

4 POS. TAB-HOUSING

C

LOC AL DIST 2