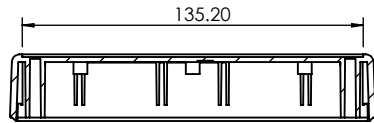


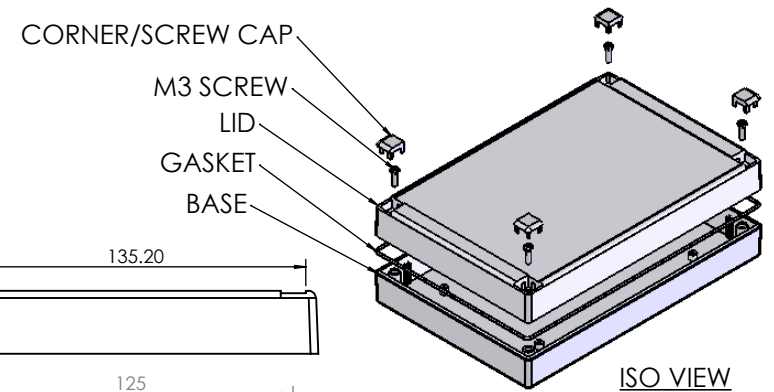
OVERALL ASSEMBLY DIMENSIONS:

EXTERNAL - 220 x 145 x 50

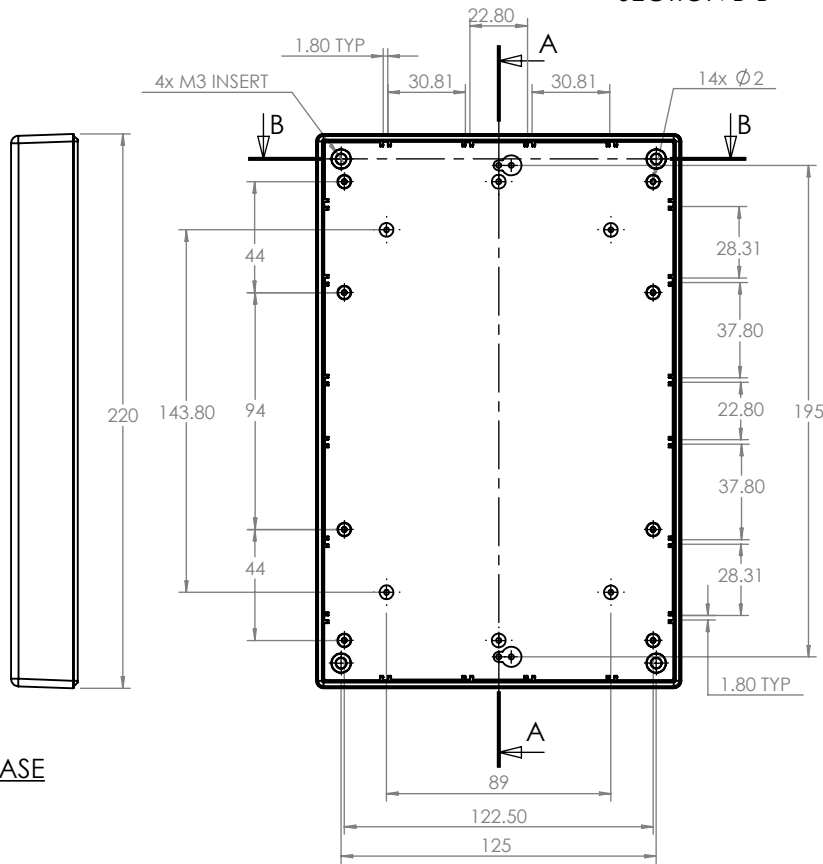
INTERNAL - 215 x 140 x 43.5



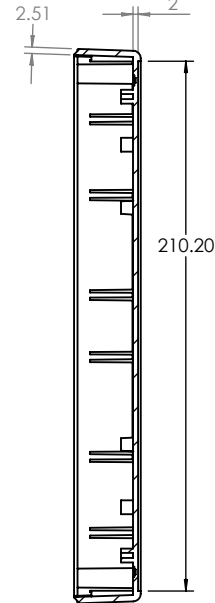
SECTION B-B



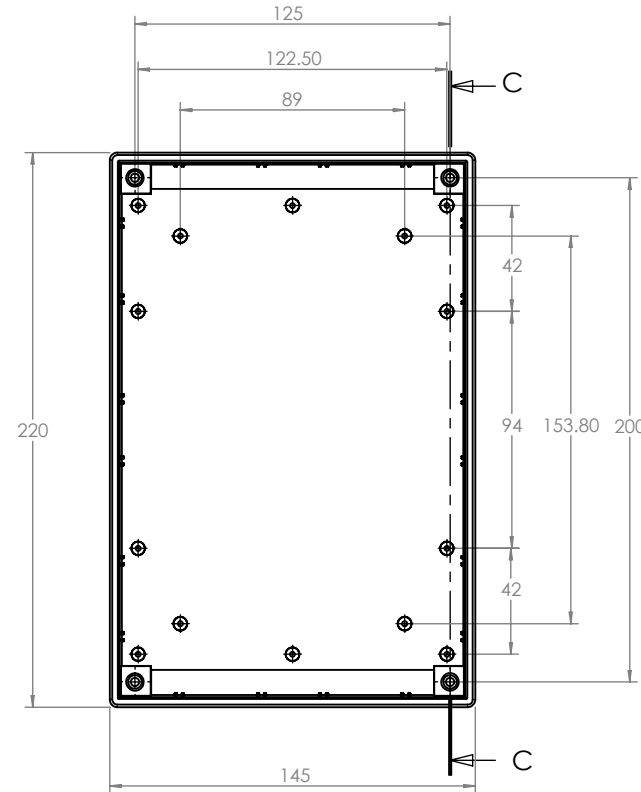
ISO VIEW  
1:5



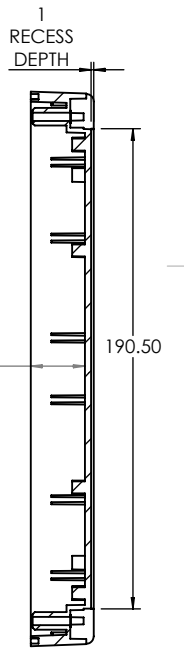
BASE



SECTION A-A



SECTION C-C



LID

**CAMDENBOSS**  
ELECTRONICS & ENCLOSURES

JAMES CARTER RD, MILDENHALL, SUFFOLK. IP28 7DE  
TEL: 01638 716101 FAX: 01638 716554  
EMAIL: Sales@CamdenBoss.com  
WEB: www.CamdenBoss.com

UNLESS OTHERWISE SPECIFIED:  
DIMENSIONS ARE IN MILLIMETERS

DO NOT SCALE DRAWING

REVISION. A

GENERAL TOLERANCES +/- 0.2

TITLE: ASSEMBLY DRG FOR RECESS  
DESIGNER CASE SIZE 8 GREY

FINISH:  
LIGHT SPARK

DWG NO. CRDCERG08

A4

	NAME	SIGNED	DATE
DRAWN	IAN PAGANO	I.P.	24/09/13
CHKD	-	-	-

MATERIAL:  
UL - 94 HB ABS

SCALE: 1:3

SHEET 1 OF 1

PROJECTION.