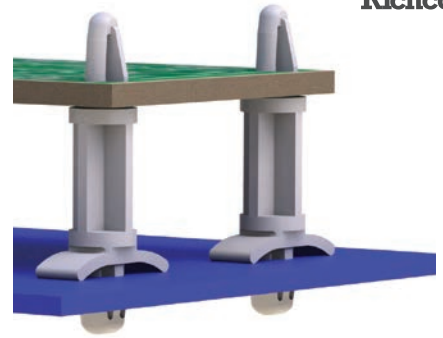


Locking Circuit Board Support

LCBS

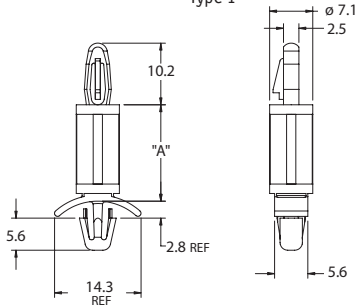
Natural



Can't find the size you are looking for? Contact us!

LCBS
Top Hole: Snap-lock: 4 ± 0.08
Panel Thickness: 1.57

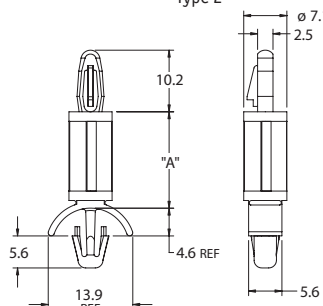
Type 1



Bottom Hole: Snap-lock: 4.75 ± 0.08
Panel Thickness: 0.79 - 1.98

LCBS-2
Top Hole: Snap-lock: 4 ± 0.08
Panel Thickness: 1.57

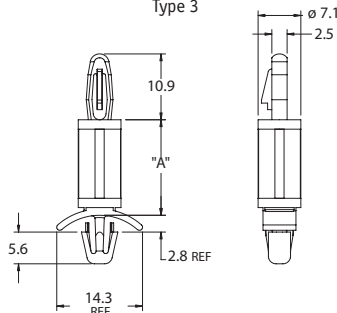
Type 2



Bottom Hole: Snap-lock: 4.75 ± 0.08
Panel Thickness: 1.98 - 3.58

LCBS-3
Top Hole: Snap-lock: 4 ± 0.08
Panel Thickness: 2.4

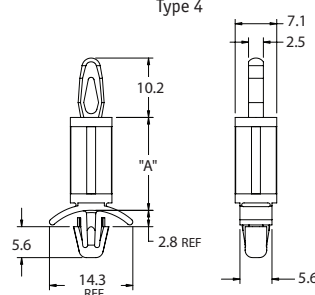
Type 3



Bottom Hole: Snap-lock: 4.75 ± 0.08
Panel Thickness: 0.79 - 1.98

LCBS-4
Top Hole: Snap-fit: $\emptyset 4 \pm 0.08$
Panel Thickness: 1.57

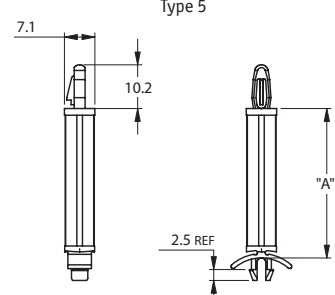
Type 4



Bottom Hole: Snap-lock: $\emptyset 4.75 \pm 0.08$
Panel Thickness: 0.79 - 1.98

LCBS-5
Top Hole: Snap-lock: $\emptyset 4 \pm 0.08$
Panel Thickness: 1.6

Type 5



Bottom Hole: Snap-lock: $\emptyset 4.8 \pm 0.08$
Panel Thickness: 0.76 - 2

Part Number										"A" Standoff Height	Std Pack Qty
LCBS (Type 1)		LCBS-2 (Type 2)		LCBS-3 (Type 3)		LCBS-4 (Type 4)		LCBS-5 (Type 5)			
UL94 V2 Nylon 6/6, RMS-01	UL94 V0 Nylon 6/6, RMS-19	UL94 V2 Nylon 6/6, RMS-01	UL94 V0 Nylon 6/6, RMS-19	UL94 V2 Nylon 6/6, RMS-01	UL94 V0 Nylon 6/6, RMS-19	UL94 V2 Nylon 6/6, RMS-01	UL94 V0 Nylon 6/6, RMS-19	UL94 V2 Nylon 6/6, RMS-01	UL94 V0 Nylon 6/6, RMS-19		
LCBS-3-01	LCBS-3-19	LCBS-2-3-01	LCBS-2-3-19	LCBS-3-3-01	LCBS-3-3-19	LCBS-4-3-01	LCBS-4-3-19	LCBS-5-3-01	LCBS-5-3-19	4.8	1000
LCBS-6M-01	LCBS-6M-19	-	-	-	-	-	-	-	-	6	1000
LCBS-4-01	LCBS-4-19	LCBS-2-4-01	LCBS-2-4-19	LCBS-3-4-01	LCBS-3-4-19	LCBS-4-4-01	LCBS-4-4-19	LCBS-5-4-01	LCBS-5-4-19	6.4	1000
LCBS-5-01	LCBS-5-19	LCBS-2-5-01	LCBS-2-5-19	LCBS-3-5-01	LCBS-3-5-19	LCBS-4-5-01	LCBS-4-5-19	LCBS-5-5-01	LCBS-5-5-19	7.9	1000
LCBS-8M-01	LCBS-8M-19	-	-	-	-	-	-	-	-	8	1000
LCBS-6-01	LCBS-6-19	LCBS-2-6-01	LCBS-2-6-19	LCBS-3-6-01	LCBS-3-6-19	LCBS-4-6-01	LCBS-4-6-19	LCBS-5-6-01	LCBS-5-6-19	9.5	1000
LCBS-10M-01	LCBS-10M-19	-	-	-	-	-	-	-	-	10	1000
LCBS-7-01	LCBS-7-19	LCBS-2-7-01	LCBS-2-7-19	LCBS-3-7-01	LCBS-3-7-19	LCBS-4-7-01	LCBS-4-7-19	LCBS-5-7-01	LCBS-5-7-19	11.1	1000
LCBS-12M-01	LCBS-12M-19	-	-	-	-	-	-	-	-	12	1000
LCBS-8-01	LCBS-8-19	LCBS-2-8-01	LCBS-2-8-19	LCBS-3-8-01	LCBS-3-8-19	LCBS-4-8-01	LCBS-4-8-19	LCBS-5-8-01	LCBS-5-8-19	12.7	1000
LCBS-14M-01	LCBS-14M-19	-	-	-	-	-	-	-	-	14	1000
LCBS-10-01	LCBS-10-19	LCBS-2-10-01	LCBS-2-10-19	LCBS-3-10-01	LCBS-3-10-19	LCBS-4-10-01	LCBS-4-10-19	LCBS-5-10-01	LCBS-5-10-19	15.9	1000
LCBS-16M-01	LCBS-16M-19	-	-	-	-	-	-	-	-	16	1000
LCBS-12-01	LCBS-12-19	LCBS-2-12-01	LCBS-2-12-19	LCBS-3-12-01	LCBS-3-12-19	LCBS-4-12-01	LCBS-4-12-19	LCBS-5-12-01	LCBS-5-12-19	19.1	1000
LCBS-14-01	LCBS-14-19	LCBS-2-14-01	LCBS-2-14-19	LCBS-3-14-01	LCBS-3-14-19	LCBS-4-14-01	LCBS-4-14-19	LCBS-5-14-01	LCBS-5-14-19	22.2	1000
LCBS-16-01	LCBS-16-19	LCBS-2-16-01	LCBS-2-16-19	LCBS-3-16-01	LCBS-3-16-19	LCBS-4-16-01	LCBS-4-16-19	LCBS-5-16-01	LCBS-5-16-19	25.4	1000
LCBS-18-01	LCBS-18-19	LCBS-2-18-01	LCBS-2-18-19	LCBS-3-18-01	LCBS-3-18-19	LCBS-4-18-01	LCBS-4-18-19	LCBS-5-18-01	LCBS-5-18-19	28.6	1000
LCBS-20-01	LCBS-20-19	LCBS-2-20-01	LCBS-2-20-19	LCBS-3-20-01	LCBS-3-20-19	LCBS-4-20-01	LCBS-4-20-19	LCBS-5-20-01	LCBS-5-20-19	31.7	1000
LCBS-22-01	LCBS-22-19	LCBS-2-22-01	LCBS-2-22-19	LCBS-3-22-01	LCBS-3-22-19	LCBS-4-22-01	LCBS-4-22-19	LCBS-5-22-01	LCBS-5-22-19	34.9	1000