

Hi-Spot ES50 Superia

ES50 SU 240V 50W 50° GU10 SV1

0022907



Range features

- Unique long life filament
- Xenon gas filling for increased light output
- Unique, patented, spiral faceted aluminised reflector
- For accent or decorative lighting in retail, commercial and domestic applications
- Ceramic base, brass contacts for a robust fitting
- For use in mains voltage GU10/GZ10 downlights, spotlights and luminaires
- Transformer free halogen
- 100% dimmable
- Integral Safety fuse
- Average rated life 3000 hrs



PRODUCT OVERVIEW

| | |
|-----------------------------------|---------------|
| Ordering number | 0022907 |
| Technology | Halogen |
| Average life (Rated) (h) | 3000 |
| Energy class | D |
| Lamp shape | Reflector |
| Lamp finish | Aluminium |
| Dimmable | Yes |
| Cap/Base | GU10 |
| Type | PAR16 (GU10) |
| EAN code | 5410288229072 |
| CRI (Ra) | 100 |
| Beam angle(°) | 50 |
| Colour temperature (K) | 2650 |
| Useful luminous flux (Rated) (lm) | 300 |
| Watt (Nominal) (W) | 50 |
| Voltage (V) | 240 |

Hi-Spot ES50 Superia

ES50 SU 240V 50W 50° GU10 SV1

0022907

DATA TABLE

General data

| | |
|---|--|
| Ordering number | 0022907 |
| Technology | Halogen |
| Average life (Rated) (h) | 3000 |
| Average life (Nominal) (h) | 3000 |
| Energy class | D |
| Energy saving lamp | No |
| Lamp shape | Reflector |
| Lamp finish | Aluminium |
| Dimmable | Yes |
| Cap/Base | GU10 |
| Type | PAR16 (GU10) |
| EAN code | 5410288229072 |
| E-number FI | 4749537 |
| E-number SE | 8355951 |
| Long description | Unique long life filament. Xenon gas filling for increased light output. Unique, patented, spiral faceted aluminised reflector. For accent or decorative lighting in retail, commercial and domestic applications. Ceramic base, brass contacts for a robust fitting. For use in mains voltage GU10/GZ10 downlights, spotlights and luminaires. Transformer free halogen. 100% dimmable. Integral Safety fuse. Average rated life 3000 hrs |
| Product name | ES50 SU 240V 50W 50° GU10 SV1 |
| Lamp mercury content (mg) | 0 |
| Starting time (max) (s) | 0 |
| Warm-up time to 60% of full light (max) (s) | Instant Full Light |
| Control gear required | No |
| Fixture rating | Open |
| IEC Reference | IEC 60357 |
| IEC Reference 2 | IEC 60432-3 |
| IEC Reference 3 | IEC 60630 |
| Intended purpose | General lighting |
| No. of switching cycles before premature failure (min) | > 12000 |
| Special purpose lamp | No |
| Transformer required | no |
| Sales pack quantity | 10 |

Hi-Spot ES50 Superia

ES50 SU 240V 50W 50° GU10 SV1

0022907

Optical data

| | |
|---|------|
| CRI (Ra) | 100 |
| Suitable for accent lighting | Yes |
| Beam angle (Rated) (°) | 50 |
| Beam angle(°) | 50 |
| Colour temperature (K) | 2650 |
| Useful luminous flux (Rated) (lm) | 300 |
| Luminous flux (Nominal) (lm) | 300 |
| Lumen maintenance at end of nominal life (%) | 80 |
| Peak intensity (cd) | 475 |

Electrical data

| | |
|--|-----|
| kWh per 1000 hours burning time | 50 |
| Watt (Rated) (W) | 50 |
| Watt (Nominal) (W) | 50 |
| Voltage (V) | 240 |
| Lamp power factor | 1 |

Physical data

| | |
|--|-----------------------|
| Weight (kg) | 0.05 |
| Lamp Length (mm) - C/L | 55 |
| Max. Lamp Diameter (mm) - D | 50 |
| Lamp dimension equal to filament lamp equivalent | Yes |
| Designed for optimum use in non standard conditions | No |
| Single packaging type | Box/Sleeve |
| Single package dimensions (L x W x H) (cm) | 6.20 x 4.80 x 4.80 |
| Outer package dimensions (L x W x H) (cm) | 50.00 x 27.00 x 14.00 |

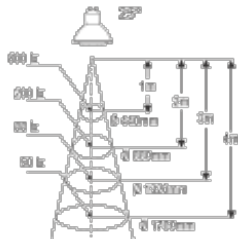
Hi-Spot ES50 Superia

ES50 SU 240V 50W 50° GU10 SV1

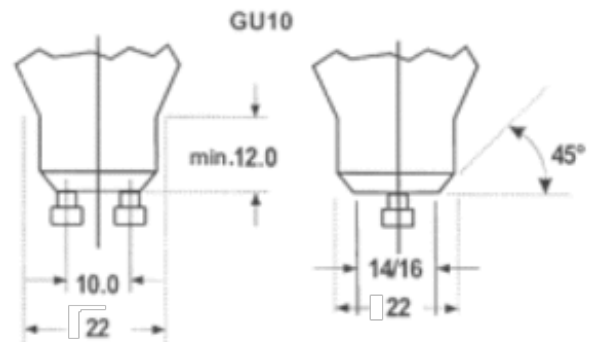
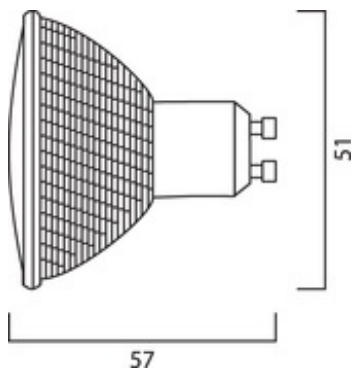
0022907

PHOTOMETRY

Hi-Spot ES50 - 35W/25°



TECHNICAL DRAWINGS



ENERGY LABEL

