

Type: **M22-WR4**  
 Article No.: **279419**



### Ordering information

Function:			45°
Design			With rotary head
Description			4 positions
Front ring			Front ring: titanium
Protection type			IP66

### Function: Function



### Button plate



### Notes concerning the product group

Front ring gold-plated, → 274150

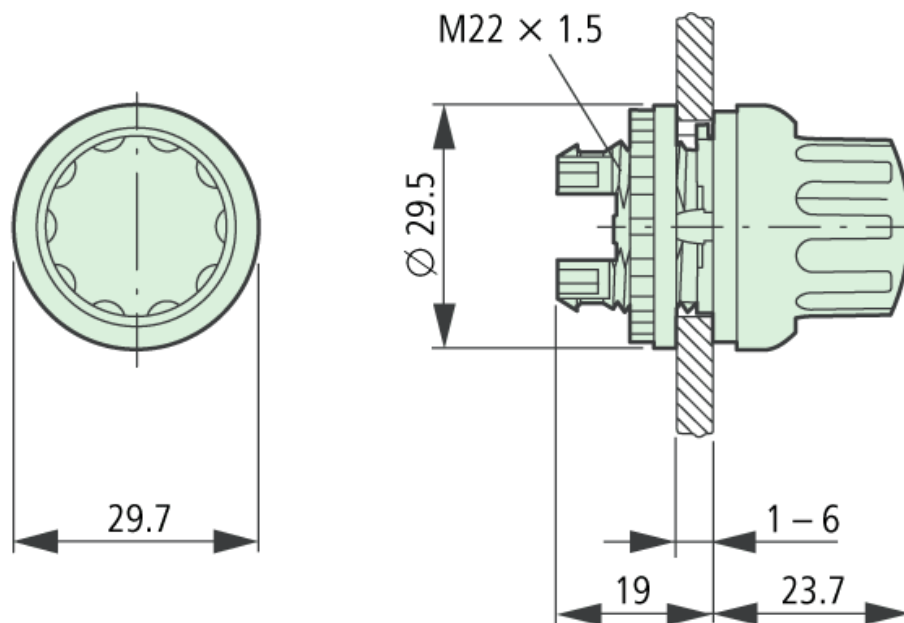
### General

Standards			IEC/EN 60947 VDE 0660
Lifespan, mechanical	Operations	$\times 10^6$	> 0,1
Operating frequency	Operations/h		2000
Operating torque (screw terminals)		Nm	0,3

Degree of protection, IEC/EN 60529			IP66
Climatic proofing			Damp heat, constant, to IEC 60068-2-78 Damp heat, cyclic, to IEC 60068-2-30
Ambient temperature			
Open		°C	-25/70
Mounting position			As required
Mechanical shock resistance according to IEC 60068-2-27 Shock duration 11 ms, half-sinusoidal		g	> 30

## Dimensions

### Dimensions

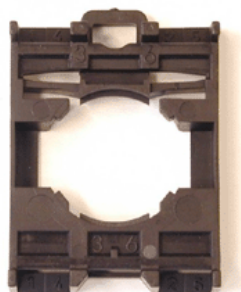


Moeller GmbH, Hein-Moeller-Str. 7-11, D-53115 Bonn

E-Mail: [catalog@moeller.net](mailto:catalog@moeller.net), Internet: [www.moeller.net](http://www.moeller.net), <http://catalog.moeller.net>

Copyright 2006 by Moeller GmbH. Subject to modifications. HPL-C2006GB-INT V2.3

Type: **M22-A**  
Article No.: **216374**



---

Moeller GmbH, Hein-Moeller-Str. 7-11, D-53115 Bonn  
E-Mail: [catalog@moeller.net](mailto:catalog@moeller.net), Internet: [www.moeller.net](http://www.moeller.net), <http://catalog.moeller.net>  
Copyright 2006 by Moeller GmbH. Subject to modifications. HPL-C2006GB-INT V2.3