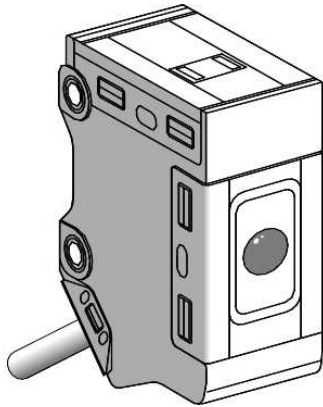


# XUM2BPANL2R

photo-electric sensor - XUM - receiver - Sn 15m -  
12..24VDC - cable 2m



## Main

Range of product	OsiSense XU
Series name	Application assembly
Electronic sensor type	Photo-electric sensor receiver
Sensor name	XUM
Sensor design	Miniature
Detection system	Thru beam
Material	Metal
Type of output signal	Discrete
Supply circuit type	DC
Wiring technique	3-wire
Discrete output type	PNP
Discrete output function	1 NO
Electrical connection	Cable
Cable length	2 m
Product specific application	-
Emission	Infrared thru beam
[Sn] nominal sensing distance	15 m need a transmitter XUM2BKCNL2T

## Complementary

Enclosure material	Zamak and stainless steel
Lens material	Glass
Output type	Solid state
Status LED	1 LED (green) for stability 1 LED (orange) for output state 1 LED (orange) for transmitter 1 LED (red/green) for receiver/supply on
[Us] rated supply voltage	12...24 V DC with reverse polarity protection
Supply voltage limits	10...30 V DC
Switching capacity in mA	<= 100 mA (overload and short-circuit protection)
Switching frequency	1000 Hz
Voltage drop	<= 3 V (closed state)
Current consumption	13 mA (no-load)
Delay first up	<= 100 ms
Delay response	0.5 ms
Delay recovery	0.5 ms
Product weight	0.128 kg

## Environment

Product certifications	CE CTick CULus
Ambient air temperature for operation	-40...70 °C
Ambient air temperature for storage	-30...60 °C
Vibration resistance	+/- 1.5 mm (f = 10...55 Hz) 2 hours in each direction X, Y and Z conforming to IEC 60068-2-6
Shock resistance	500 m/s <sup>2</sup> (10 x in each direction X, Y and Z) conforming to IEC 60068-2-27
IP degree of protection	IP69 K conforming to DIN 40050 IP65 conforming to IEC 60529 IP67 conforming to IEC 60529

The information provided in this documentation contains general descriptions and/or technical characteristics of the performance of the products contained herein. This documentation is not intended as a substitute for and is not to be used for determining suitability or reliability of these products for specific user applications. It is the duty of any such user or integrator to perform the appropriate and complete risk analysis, evaluation and testing of the products with respect to the relevant specific application or use thereof. Neither Schneider Electric Industries SAS nor any of its affiliates or subsidiaries shall be responsible or liable for misuse of the information contained herein.

## Offer Sustainability

---

Sustainable offer status

Not Green Premium product

---

RoHS

Compliant - since 1152 - Schneider Electric declaration of conformity

---